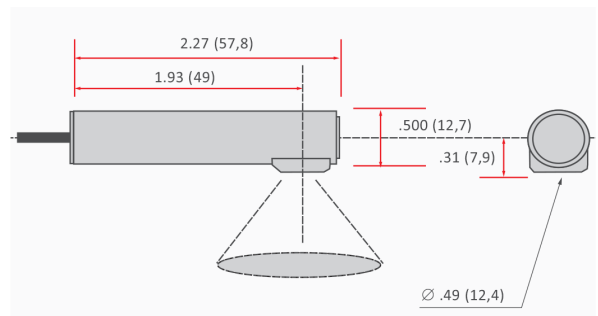


IRT/C.SV

Product Overview

The IRT/c.SV features:

- Infrared Thermocouple IRT/c
- Non-contact
- Self-powered
- Intrinsically Safe
- Repeatability 0.02°F (0.01°C)
- Interchangeability ±1%
- Resolution approx. 0.0001°C
- Small Size



Technical Data

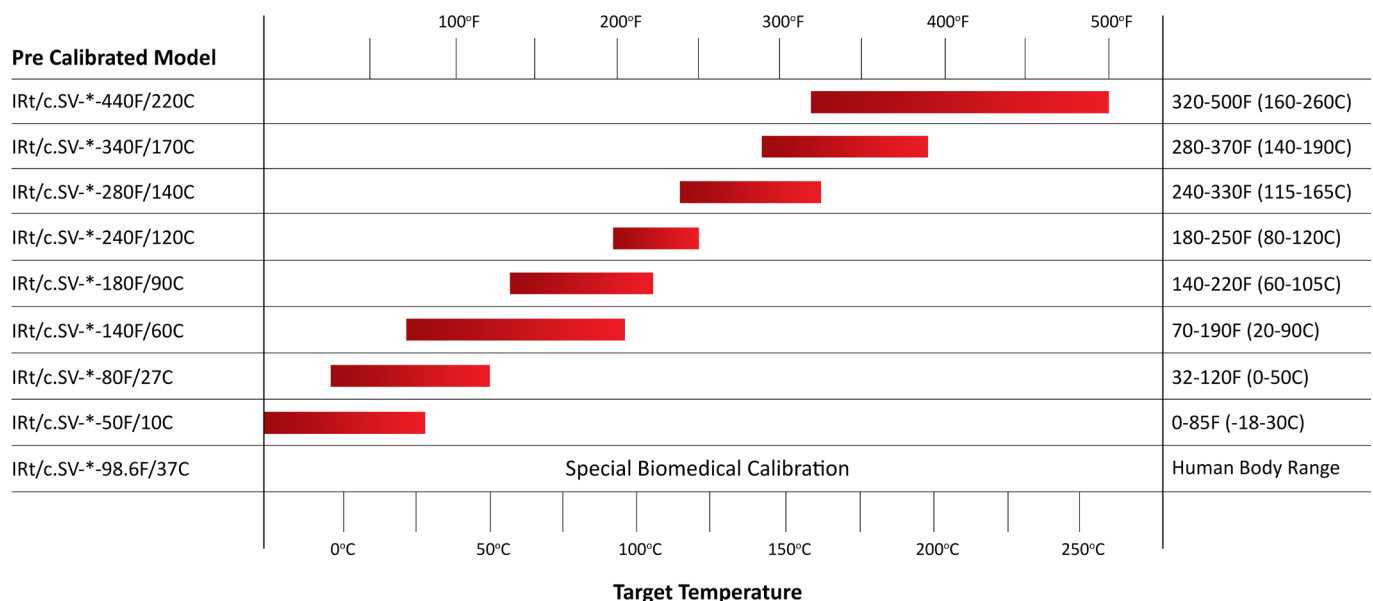
Sensing Range	-50 to 1200°F (-45 to 650°C)
Ambient Temperature Range	0 to 212°F (-18 to 100°C)
Optimum Range Selections	Eight models per t/c type (see Temperature Selection Chart)
Field of View	approximately 1:1 (60°)
Minimum Spot Size	.3" (8mm)
Spectral Response	6.5 to 14µm
Output Impedance	3 Kohms approx

Response Time	100 Milliseconds
Dimensions	2.77" x 0.50" Dia. (57.8 x 12.7 mm)
Housing	Stainless steel, hermetically sealed, exceeds NEMA 4,4X; IP65, 67, cable shield grounded to housing and electrically isolated from signal
Cable	Twisted shielded pair of base thermocouple material (J,K,E,T), 3ft (.9m) std length, Teflon sheathed, rated to 392°F (200°C) continuous service
Weight	1.4oz. (40 grams) with cable

Calibration

Ordering information **IRT/c.SV-*** (Thermocouple Type) - (Precalibrated Temperature Range). Thermocouple type J,K,E,T over temperature range specified.

Temperature Selection Chart



Exergen Global offices:

The Netherlands
 Pastoor Clercxstraat 26
 5465 RH Veghel
 Tel: +31 (0)413 376 599
 Fax: +31 (0)413 379 310

USA
 400 Pleasant Street
 Watertown, MA 02472
 Tel: +1 617 649 6322
 Fax: +1 617 923 9911

Specifications subject to change without notice

office@exergenglobal.com
 www.exergenglobal.com