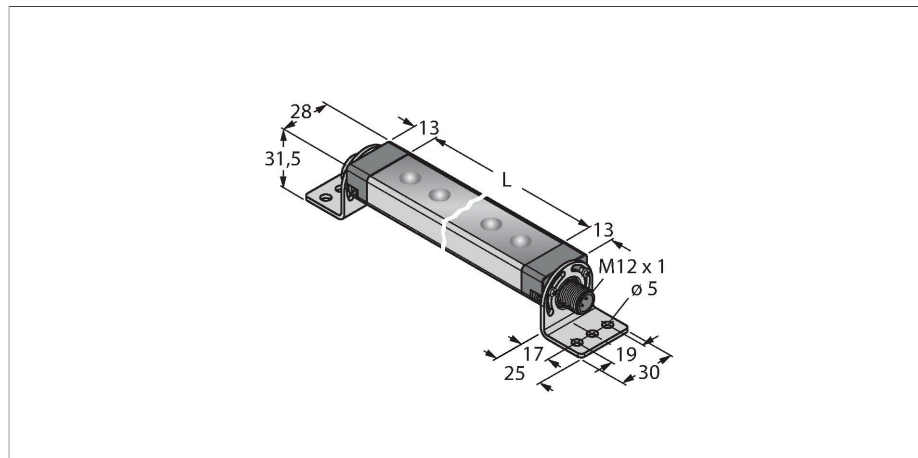


WLS28-2CWR-570XQ

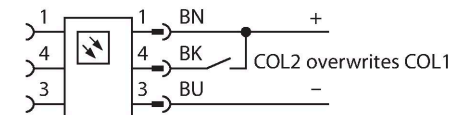
Work Light – Linear Light



Features

- Cascadable
- Light beam: 570mm
- Operating voltage: 12...30 VDC
- Protection class: IP50
- Color 1: Daylight white (100% light intensity)
- Color 2: Red (100% light intensity)
- Two-color linear light
- M12 x 1 male, straight, 4-pin
- SMBWLS28RA mounting bracket included in delivery

Wiring diagram

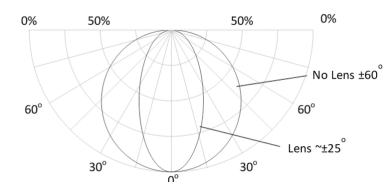


Technical data

Type	WLS28-2CWR-570XQ
ID	3092728
Signal and display data	
Purpose	LED work light
Function	Linear light
Light type	White/Red
Luminous flux lumen	1300 lm
Aperture angle degree	60 °
Beam angle	wide beam 40-80°
LED service life (L70)	50000 h
Dimmable	Two-stage
Features of color 1	White, Permanently on, 100 %, 950 lm
Features of color 2	Red, Permanently on, 100 %, 400 lm
Electrical data	
Operating voltage	12...30 VDC
DC rated operational current	≤ 1360 mA
Input power	16.32 W
Mechanical data	
Cascadable	Yes
Design	Rectangular, WLS28-2
Dimensions	617 x 28 x 20.9 mm
Housing material	Metal, AL
Window material	Polycarbonate, clear
Electrical connection	Connector, M12 × 1, PVC
Number of cores	4
Ambient temperature	-40...+70 °C

Functional principle

The energy-efficient LED work lights are ideally suited for industrial applications. The color temperature is between 4,700 and 5,300 Kelvin (cool white). Depending on the model, the luminous flux is 475 or 1900 lumen. Some work lights are switched on/off via supply power (10...30 VDC) and some types by means of a button directly at the LED lamp. In addition, the LED can be switched to second color by activating a high signal on PIN 4, or for the variants with a switch by means of a further switch position. This additional color can be selected with either 100, 50 or 33% light intensity. Cascadable variants are also available. Variants with a clear or diffuse plastic windows, as well as with an aperture angle of 25°.



Technical data

Storage temperature	-40...+70 °C
Relative humidity	0...90 %
Protection class	IP50
Tests/approvals	
Approvals	CE, UL

Accessories

SMBWLSMAG 3019574

Magnetic mounting bracket for mounting on metallic surfaces, for mounting WLS28 work lights

SMBWLS28RA 3015764

Mounting bracket, angled, metal, for WLS28 work lights, 5 mm drill holes, screw set included

SMBWLS28SP 3088063

Snap bracket for mounting WLS28 work lights

Accessories

Dimension drawing	Type	ID	
	RKC4.4T-2/TEL	6625013	Connection cable, female M12, straight, 4-pin, cable length: 2 m, sheath material: PVC, black; cULus approval; other cable lengths and qualities available, see www.turck.com
	WKC4.4T-2/TEL	6625025	Connection cable, female M12, angled, 4-pin, cable length: 2 m, sheath material: PVC, black; cULus approval; other cable lengths and qualities available, see www.turck.com