

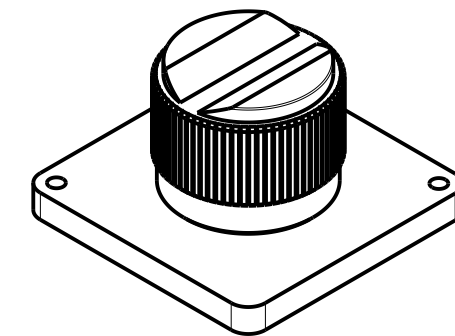
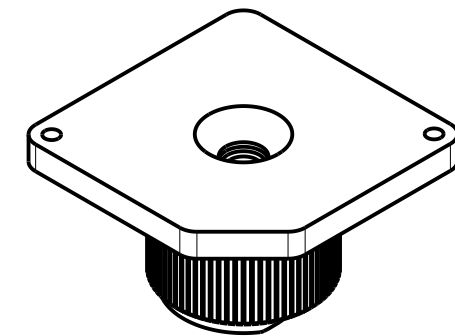
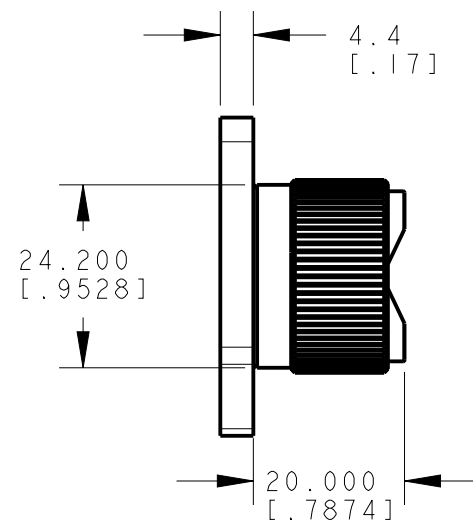
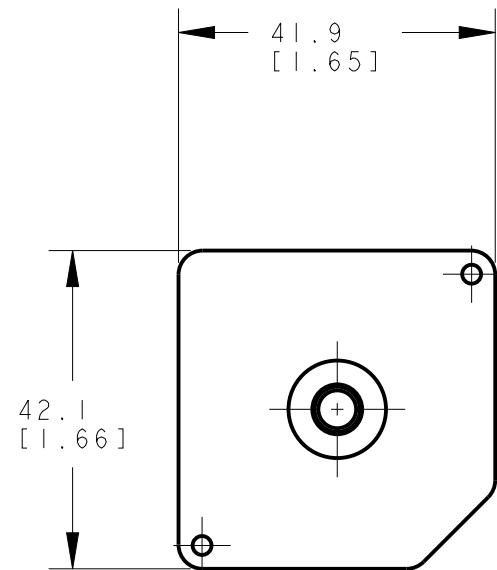
8 7 6 5 4 3 2 1

D

C

B

A



This drawing is the property of BANNER ENGINEERING CORP. Any use or reproduction, in any form, without prior written permission of Banner is prohibited. © 2015 Banner Engineering Corp.



BANNER ENGINEERING CORP.

www.bannerengineering.com

TITLE

SMB42FL CENTER MOUNT/MAGNET

SIZE B

DRAWING NO. **202885**

REV. **A**

SCALE 1:1

SHEET 1 OF 1

CREO

NOTES:
 1. ALL DIMENSIONS ARE MILLIMETERS [INCHES] UNLESS OTHERWISE NOTED.
 2. REFER TO "www.bannerengineering.com" FOR ADDITIONAL DATA AND SPECIFICATIONS.

8 7 6 5 4 3 2 1