

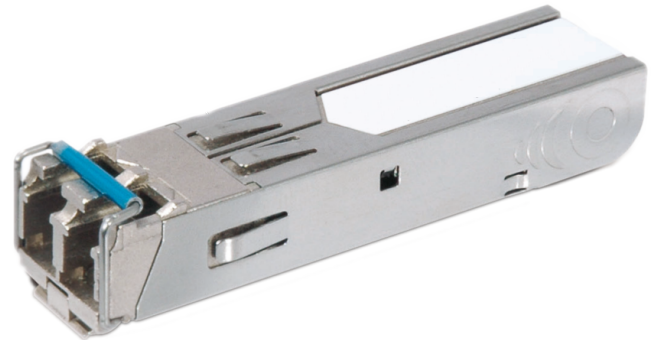
# S30-2MLC

## SFP-Port 1000Base-SX Mini-GBIC Module - 2 Fiber - 550m - Multi-Mode – 850nm (0~50?) - Based on 50/125microm OM2 Fiber

### Overview

---

The UTC Fire & Security transceiver module is specifically designed to accommodate high-performance optical fiber. Compliant with the SFP Multisource Agreement (MSA), these transceiver modules feature hot-plug capability for easy installation without interrupting host equipment operating online. The SFP Mini GBIC transceiver can install into UTC Fire & Security switch products with 100Base-FX or 1000Base-SX/LX SFP interface.



### Details

---

- SFP multi-source agreement compliant
- Data rate 1.25Gbps
- Max 220m distance based on 62.5 / 125 (OM1) fiber
- Max 550m distance based on 50 / 125 (OM2) fiber
- Class 1 laser safety standard IEC 60825 compliant
- LC duplex receptacle
- Low power dissipation
- Plug-and-play capability for easy installation
- Hot Pluggable
- 0°C to +50°C operation temperature
- TTL signal detect indicator
- Single power supply 3.3V
- Comply with the IEEE 802.3ab

# S30-2MLC

SFP-Port 1000Base-SX Mini-GBIC Module - 2 Fiber - 550m - Multi-Mode – 850nm (0~50?) - Based on 50/125microm OM2 Fiber

## Technical specifications

### General

Kategorie	SFP
Porttyp	Multi-Mode
Anzahl der Fasern	2
Port-Geschwindigkeit	Gigabit
Wellenlänge	850 nm
Maximaler Abstand	550 m
Number of fibers	2
Fiber type	Multi-Mode
Connector	LC
Max. distance	220 / 550m
TX / RX wavelenght	850nm / 850nm
Data rate	1.25Gbps
PHY type	1000Base-SX
Reliability (MTBF)	>50,000 hrs @ 25° C

### Electrical

Betriebsspannung	3.3 VDC
AS/NZS CISPR 22	2006

### Physical

Abmessungen	59 x 15 x 12.4 mm (W x D x H) 2.20 x 0.59 x 0.49 in. (W x D x H)
Nettogewicht	18g 0.6 oz

### Environmental

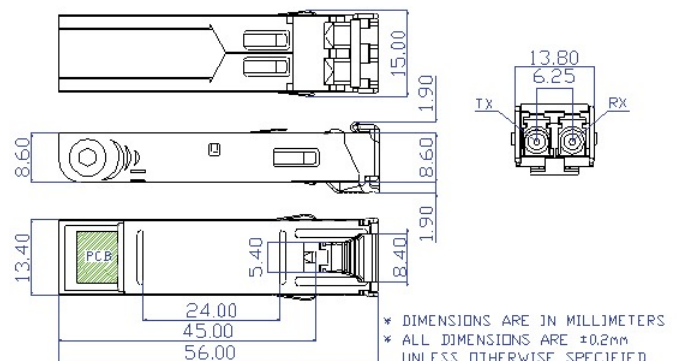
Betriebstemperatur	0 to +50°C
Lagertemperatur	-40 to 85°C
Relative Luftfeuchtigkeit	5% to 95% noncondensing

### Standards & regulations

IEEE 802.3ab Fast Ethernet Standard
Class 1 laser product complies with EN 60825-1

### Transmitter Electro-Optical Interface

EMI	EN 55022 CLASS A:2006+A1 : 2007 / EN61000-3-2:2006 / EN61000-3-3: 1995+A1:2001+A2:2005
Optical Output Power	Min. : -9.5dBm, Type : - , Max. : -4dBm
Power Budget	7.5
Receiver	-17dBm



Als innovatives Unternehmen behält sich Carrier Fire & Security das Recht vor, Produktspezifikationen ohne Ankündigungen zu ändern. Für die aktuellsten Produktspezifikationen, besuchen Sie bitte [de.firesecurityproducts.com](http://de.firesecurityproducts.com) online oder kontaktieren Sie bitte unsere Vertriebsmitarbeiter.