

G1G170-AB05-20

EC centrifugal fan

backward curved, single inlet

with housing (flange), Gas blower for gas-condensing heating



ebm-papst Landshut GmbH

Hofmark-Aich-Str. 25 · D-84030 Landshut

Phone +49 871707-0

Fax +49 871 707-465

info3@de.ebmpapst.com

www.ebmpapst.com

Nominal data

Type	G1G170-AB05-20	
Motor	M1G074-CF	
Phase		1~
Nominal voltage	VAC	115
Frequency	Hz	50/60
Type of data definition		rfa
Speed	min ⁻¹	5730
Power input	W	345
Current draw	A	4.0
Min. ambient temperature	°C	- 25
Max. ambient temperature	°C	+ 55
Min. temp. of flow medium	°C	-25
Max. temp. of flow medium	°C	+80

ml = max. load · me = max. efficiency · rfa = running at free air · cs = customer specs · cu = customer unit
Subject to alterations



EC centrifugal fan

backward curved, single inlet

with housing (flange), Gas blower for gas-condensing heating

Technical features

Mass	4.35 kg
Size	170 mm
Surface of rotor	Coated in black
Material of protective cover	Polyflam RPP 374-ND CS1 (UL 97-V0)
Material of impeller	Aluminium sheet
Housing material	Die-cast aluminium
Direction of rotation	Clockwise, seen on rotor
Type of protection	IP 20
Insulation class	"B"
Max. permissible ambient motor temp. (transp./ storage)	+80 °C
Min. permissible ambient motor temp. (transp./storage)	-40 °C
Mounting position	Any
Cooling bore / aperture	Rotor-side
Motor bearing	Ball bearing
Technical features	<ul style="list-style-type: none"> - Control input PWM - Motor current limit - Tach output - Overtemperature-protected motor
EMC interference immunity	Acc. to EN 61000-6-2
EMC interference emission	Acc. to EN 61000-6-3 (household environment)
Leakage current	<= 3.5 mA
Electrical leads	With plug
Motor protection	Thermal overload protector (TOP) wired internally
Approval	CSA C22.2 Nr.113; UL 507

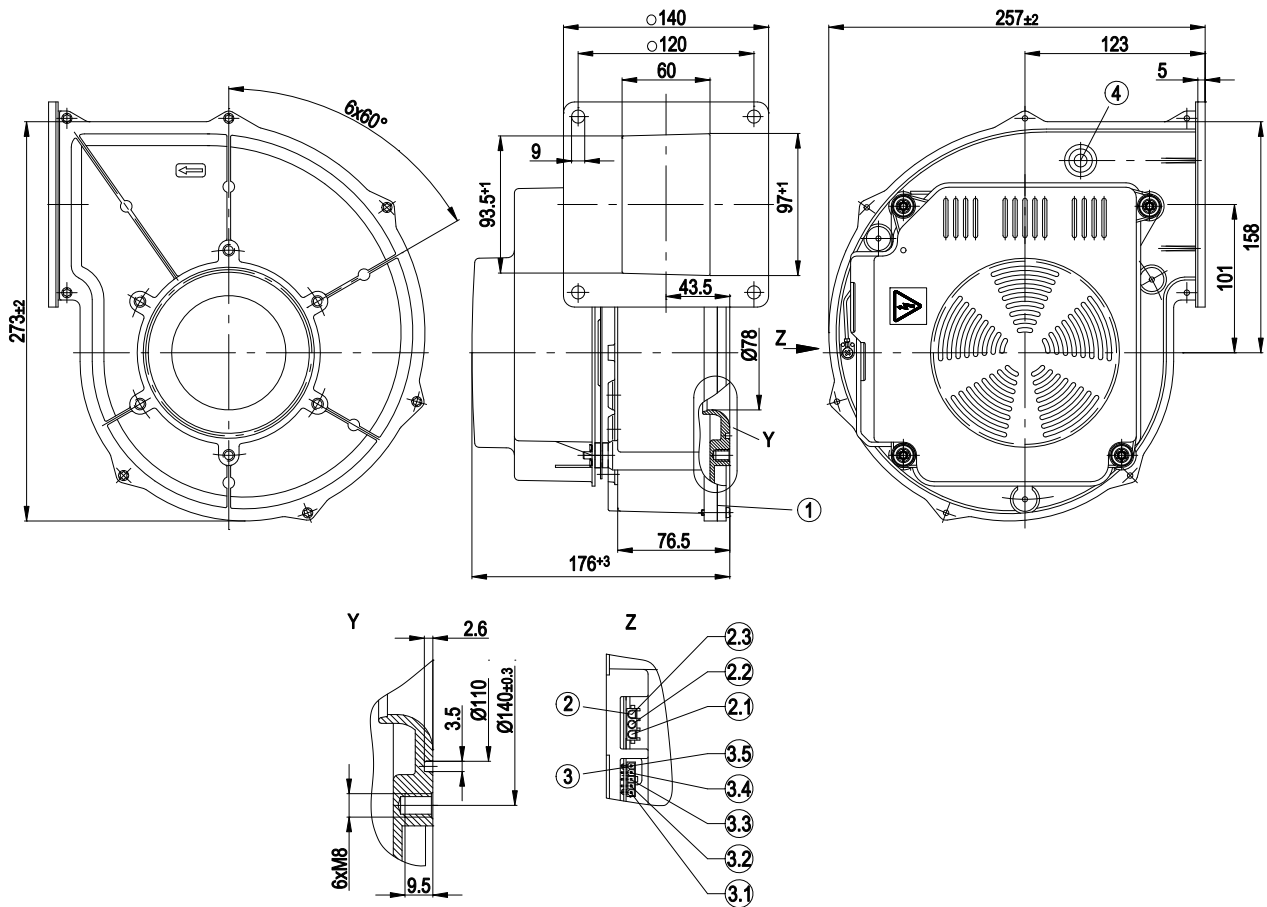


EC centrifugal fan

backward curved, single inlet

with housing (flange), Gas blower for gas-condensing heating

Product drawing



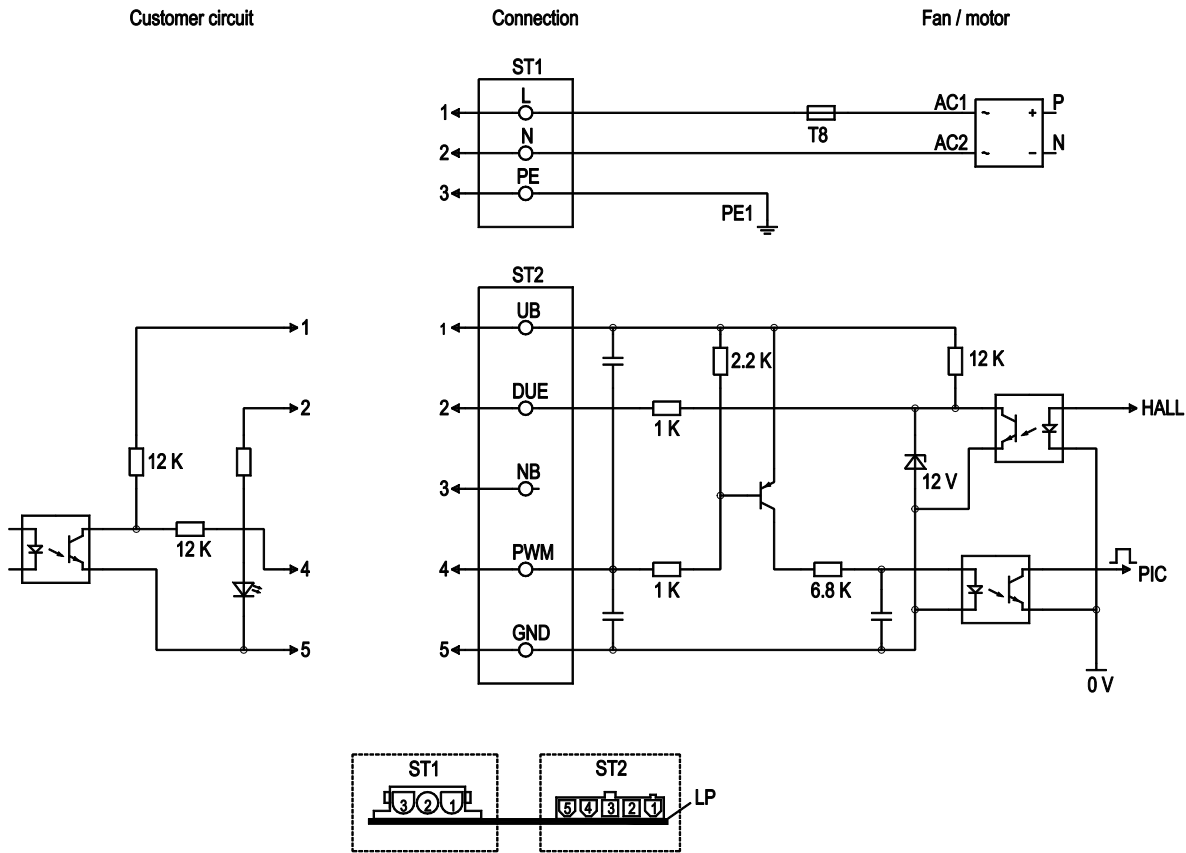
1	Housing side parts sealed with NBR round cord (pentane-resistant)
Z	View Z
2	3-pole strip; mating connector (not included in delivery): tyco No. 350 766-1; female connector: No. 926 884-1
2.1	L
2.2	N
2.3	PE
3	5-pole strip; mating connector (not included in delivery) Molex No. 39-01-4050, female connector Molex No. 39-00-0059
3.1	(+)
3.2	Speed monitoring
3.3	Not assigned
3.4	PWM input
3.5	(-)
4	Bleeder connection for pressure relief possible

EC centrifugal fan

backward curved, single inlet

with housing (flange), Gas blower for gas-condensing heating

Connection screen



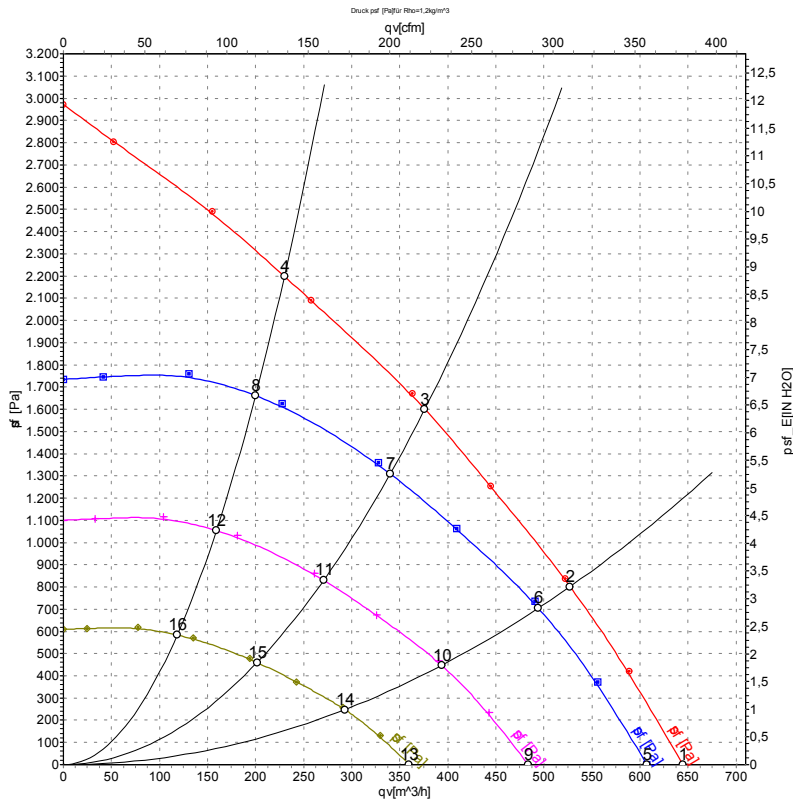
No.	Pin	Signal	Function / assignment
ST1	1, 2, 3	L, N, PE	Power supply 115 VAC, 50-60 Hz, neutral conductor, protective earth
ST2	1	UB	External voltage 24-45 VDC
ST2	2	DUE	Speed monitoring output connection, monitoring circuit output, 3 pulses per revolution, current source 1 mA
ST2	3	N.C.	Not assigned
ST2	4	PWM	PWM - 2-6 kHz control input, PWM on n = 100%, PWM low n = 0%
ST2	5	GND	GND - Connection for control interface

EC centrifugal fan

backward curved, single inlet

with housing (flange), Gas blower for gas-condensing heating

Charts: Air flow 50 Hz



Measurement: LU-48962

Air performance measured as per ISO 5801 Installation category A. For detailed information on the measuring set-up, please contact ebm-papst. Suction-side noise levels: LwA measured as per ISO 13347 / LpA measured with 1m distance to fan axis. The values given are valid under the measuring conditions mentioned above and may vary according to the actual installation situation. With any deviation from the standard set-up, the specific values have to be checked and reviewed with the unit installed.

Measured values

	U	f	n	P _e	I	qv	P _{sf}
	V	Hz	min ⁻¹	W	A	m ³ /h	Pa
1	115	50	5730	345	4.00	645	0
2	115	50	5750	342	3.97	525	800
3	115	50	5970	317	3.70	375	1600
4	115	50	6205	292	3.42	230	2200
5	115	50	5400	288	3.33	605	0
6	115	50	5400	283	3.28	495	715
7	115	50	5400	235	2.75	340	1314
8	115	50	5400	193	2.26	200	1664
9	115	50	4300	145	1.68	485	0
10	115	50	4300	143	1.66	395	454
11	115	50	4300	119	1.39	270	834
12	115	50	4300	98	1.14	160	1055
13	115	50	3200	60	0.69	360	0
14	115	50	3200	59	0.68	295	251
15	115	50	3200	49	0.57	200	462
16	115	50	3200	40	0.47	120	584

