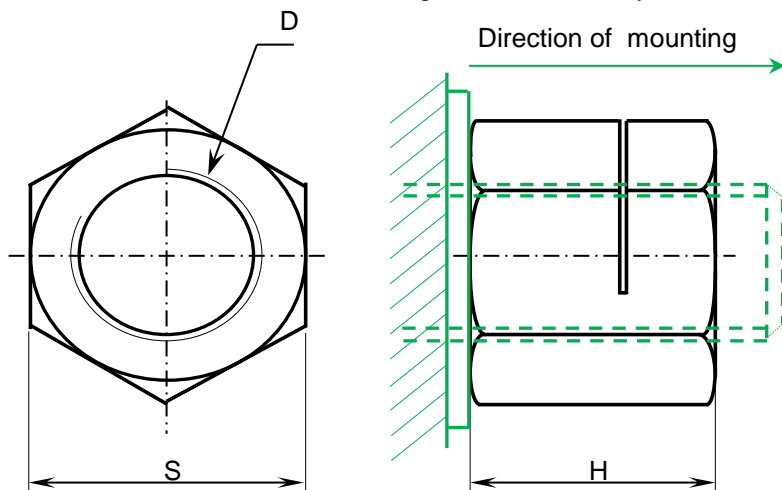


SINGLE SLOTTED LOCKING NUTS

ESN H130

EDITION JULY 2011

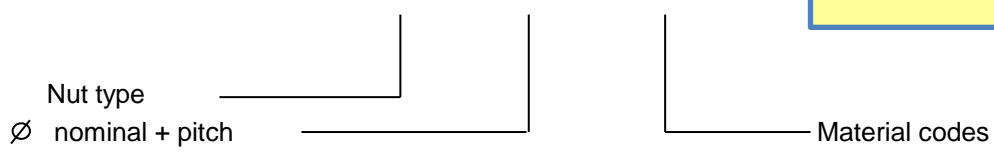
PRINCIPLE : Selflocking effect obtained by axial deformation of the upper part of the thread



D	pitch	S	H	Designation
M5	0,80	8	6,5	ESN H130 M5X080 **
M6	1,00	10	7,8	ESN H130 M6X100 **
M8	1,25	13	10,4	ESN H130 M8X125 **
M10	1,50	16	13	ESN H130 M10X150 **
M12	1,75	18	15,6	ESN H130 M12X175 **
M14	2,00	21	18,2	ESN H130 M14X200 **
M16	2,00	24	20,8	ESN H130 M16X200 **
M18	2,50	27	23,4	ESN H130 M18X250 **
M20	2,50	30	26	ESN H130 M20X250 **
M22	2,50	34	28,6	ESN H130 M22X250 **
M24	3,00	36	31,2	ESN H130 M24X300 **
M27	3,00	41	35,1	ESN H130 M27X300 **

Material codes	
CL.8	R60
CL.10	R80
Stainless steel A2	A2
Stainless steel A4	A4
UZ40MNA	BL3
AU4Pb	DM

Certified "SNCF"
CF 00-040 FP n° 5
ST 001-02



DIMENSIONS : According to NFE 25 411

THREAD Profile ISO - according to ISO 965-2 Quality 6H

MECHANICAL CHARACTERISTICS : According to NF EN ISO 2320 NFE 25035
 Control on "ERICHSEN" test bench

STANDARD PROTECTIONS	Steel nuts : zinc plated chrome 6 free
	Stainless steel nuts : Anti seizing protection SITAL BHT

Please consult us for: other materials - other protections - specials.