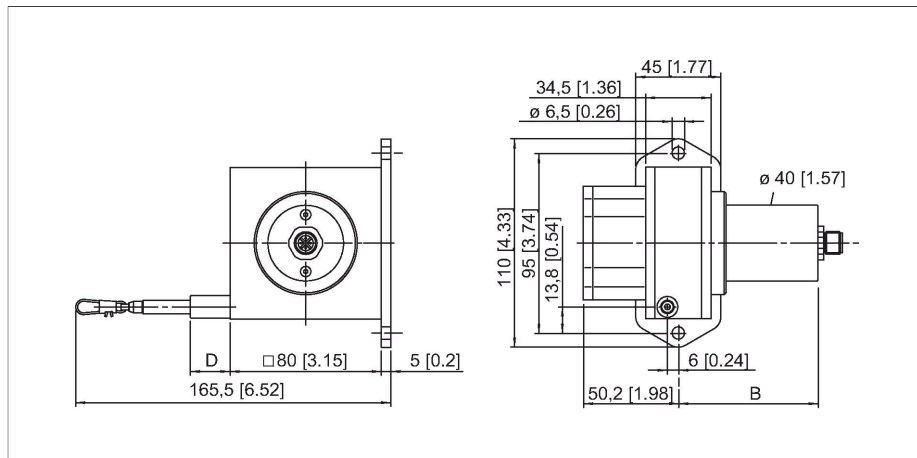


DW1000-110-PA-H1441

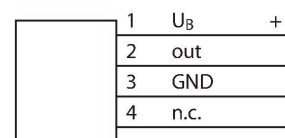
Draw-Wire



Features

- Measuring range up to 1000mm
- M12 connector
- Protection class: IP65 (Encoder)
- Potentiometric output 1k Ohm
- Supply voltage max. 30 VDC

Wiring diagram

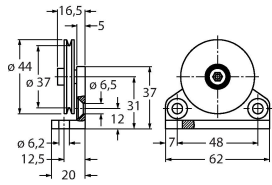


Technical data

Type	DW1000-110-PA-H1441
ID	1544542
Measuring range	1000 mm
Linearity deviation	≤ 0.1 %
Operating voltage	0...30 VDC
Short-circuit protection	yes
Wire breakage/Reverse polarity protection	yes
Output function	4-pin, Potentiometer
Design	Draw Wire
Housing material	Titanium anodized aluminium
min. extension force	6.9 N
max. extension force	8.3 N
max. extension speed	10 m/s
Pull acceleration max.	140 m/s ²
wire material	Stainless steel
Electrical connection	Connector, M12 × 1
Ambient temperature	-20...+85 °C
Protection class	IP65

Signal	+U _B	Slider	Gnd	-	-	-	-	-	-
Pin configuration	1	2	3	4	-	-	-	-	-

Accessories

RDR-1**1544753**

Deflection roller for aluminium draw-wire sensors