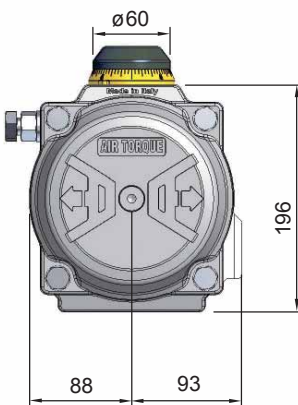
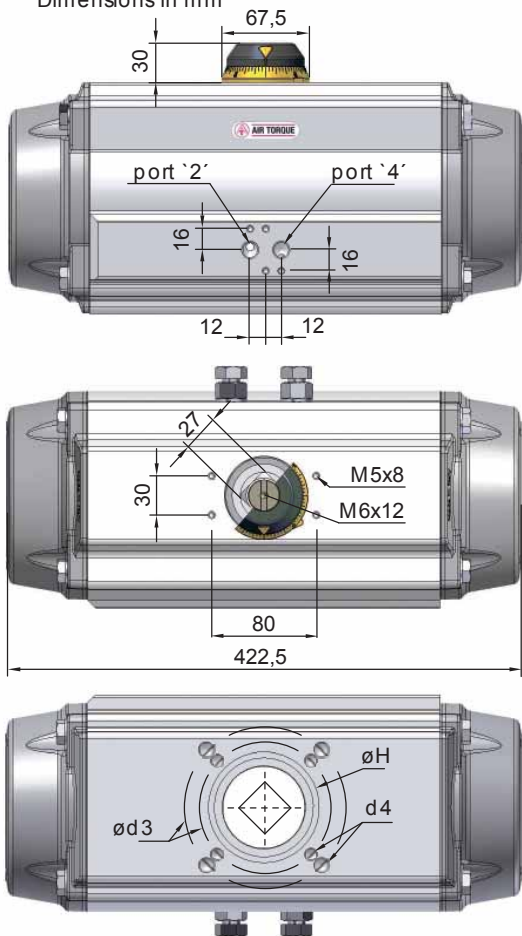
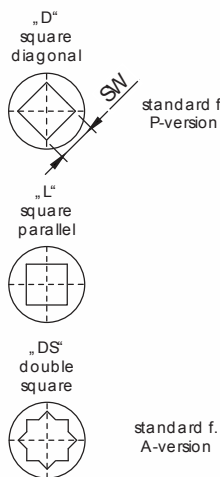




Dimensions in mm



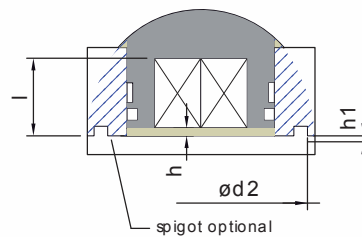
optional squares



ISO 5211 - available flanges

ISO 5211	Standard		optional
	F10* + F12	F12	F12
Ø d2	70	-	85
d3	102	125	125
Ø d4	M10x15	M12x18	M12 x 18
Ø H	70		85
SW x l min.	D	-	22 x 40 - 27 x 29
	DS	27 x 40	
h min.	1,5	1,5	1,5
h1	3	-	1,5

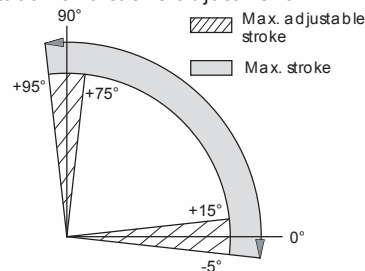
*before selecting the flange connection please consider the indications of standard n° 5211 on page 0911 of our manual for op. and maintenance



Connection / Attachment

Pressure connection Port 2 and 4	G1/4"
Ancillaries attachment	AA 2

Rotation and stroke adjustment



Pressure	Output torque for double acting and spring return in Nm												Spring torque	approx. weight in kg										
	2,5 bar		3 bar		3,5 bar		4 bar		4,2 bar		4,5 bar				5 bar		5,5 bar		6 bar		7 bar		8 bar	
	0°	90°	0°	90°	0°	90°	0°	90°	0°	90°	0°	90°			0°	90°	0°	90°	0°	90°	0°	90°	0°	90°
DR	284	340	397	454	477	511	567	624	681	794	908	-	17,8											

SC 2/3	171	118	228	174	285	231	342	288	364	310	398	344	455	401								166	112	19,3	
SC 3	149	84,3	206	141	262	198	319	255	342	277	376	311	433	368	489	425							199	135	19,6
SC 3/4			183	108	240	165	297	221	319	244	353	278	410	335	467	391	524	448					233	157	19,9
SC 4					218	131	274	188	297	211	331	245	388	302	444	358	501	415	615	528			266	180	20,2
SC 4/5							252	155	275	178	309	212	365	268	422	325	479	382	592	495	706	609	299	202	20,5
SC 5											286	178	343	235	400	292	456	349	570	462	683	575	332	224	20,8
SC 5/6													320	202	377	259	434	315	547	429	661	542	365	247	21,1
SC 6															355	225	411	282	525	396	638	509	399	269	21,4

Pressure max.	Rotation (SID) (C)	Screw stroke adjustment	Chamber Ø (mm)	Air volume (L)		Moving time (sec.) (A)	
				OPEN	CLOSE	OPEN	CLOSE
8 bar	0° - 90°	for 1° 1/4 rotation	160	3,14	4,92	D 1,5 S 1,8	D 1,7 S 2,1

Operating Temperature (°C) (B)		
ST (Standard)	HT (High temperature)	LLT (Extreme low temperature)
- 40 to + 80	- 15 to + 150	- 55 to + 80

(A) The above indicated moving time of the actuator is obtained under the following test conditions (1) room temperature, (2) actuator stroke 90°, (3) solenoid valve with Ø 4 mm and flow capacity Qn 400 L/min., (4) inside pipe Ø 8 mm, (5) medium clean air, (6) air supply pressure 5,5 bar (79,75 Psi), (7) actuator without external resistance load. Caution: It has to be expected, e.g. for field applications, when one or more of the above parameters are different, the moving time will be different.

(B) Every temperature range option requires proper components and lubricant. Please contact Air Torque GmbH.

Operating Medium:

The operating medium must be free of dust and oil. The maximum particle size must not exceed 30µ. (ISO 8573 Part1, Class5). In order to prevent water condensation and/or solidification (ice when actuator works below 0°C), the operating medium must have a dew point equal to -20°C or at least 10°C below the ambient temperature (ISO 8573 Part1, Class3)

