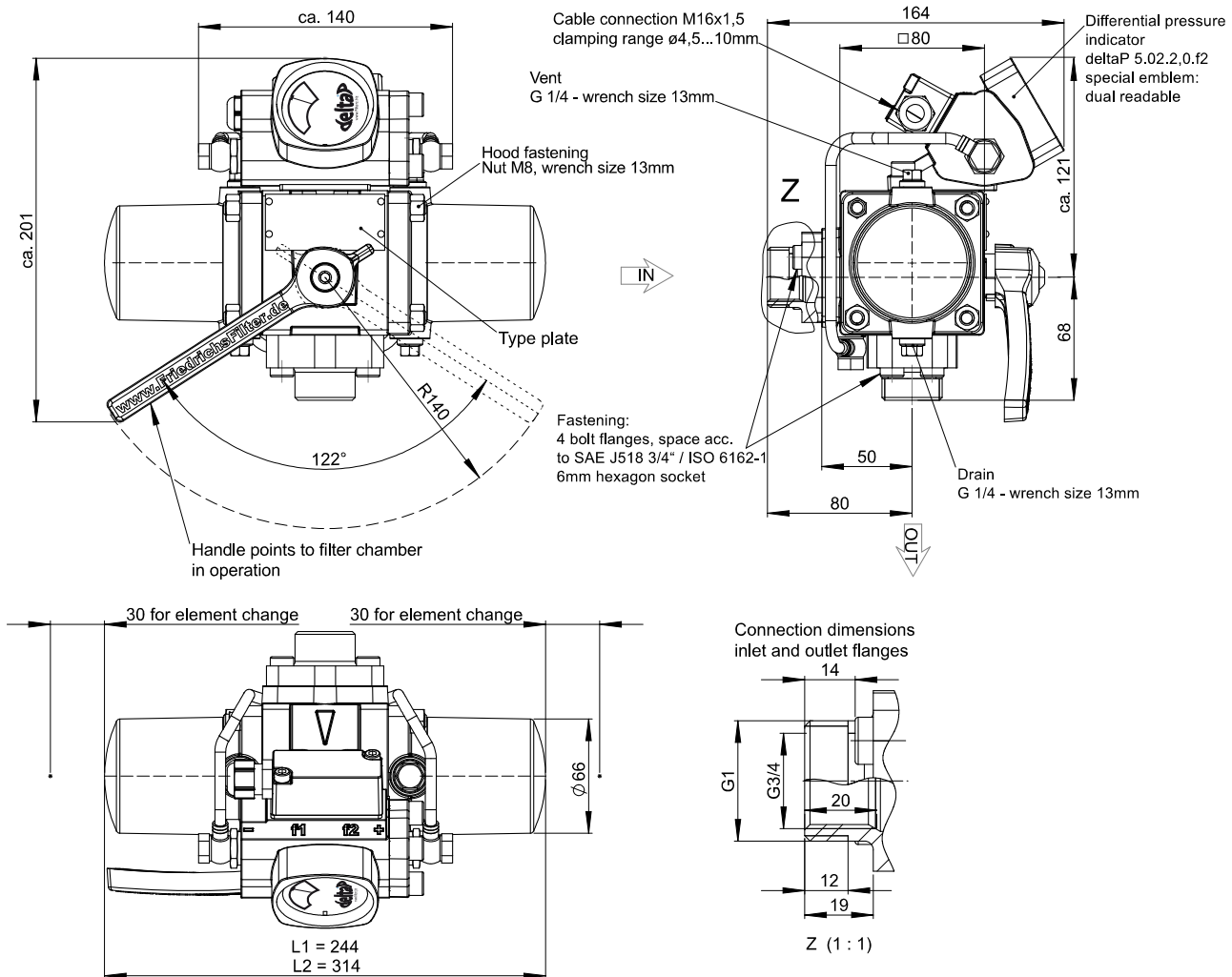


Series 4.225

Technical Data Sheet



Dimensions



Description

The filter is used to separate foreign particles from the particular medium (e.g. lubricating oil) and is designed for continuous filtration.

Usually one filter chamber is in operation, while the other one is on standby filled with fluid and equipped with a clean filter element. If the filter element in operation is heavily contaminated, manual switchover to the standby filter element can take place. Uninterrupted media flow can be guaranteed through an overlapping switchover operation between the two filter chambers.

After the switchover the contaminated filter element needs to be removed, cleaned or replaced and re-installed, in order that a standby chamber is available for the next switchover process.

Design data

DN	Length code	Flow rate* V [l/min]	Filter area per filter element [cm ²]	Weight of empty filter incl. filter elements [kg]
20	L1	70	434	3.2
	L2	70	679	3.5

*applies for recommended max. flow speed of 3m/sat the nominal width.

Series 4.225

Technical Data Sheet



Design data (continuation)

Operating pressure: max. 16 bar

Operating temperature: max. 120°C

Flow data can be taken from the separately available data sheet (4.221-KV).

The environment and the medium must not have an adverse effect on the materials used!

Materials

Housing, switchover element and hoods: GK-Al

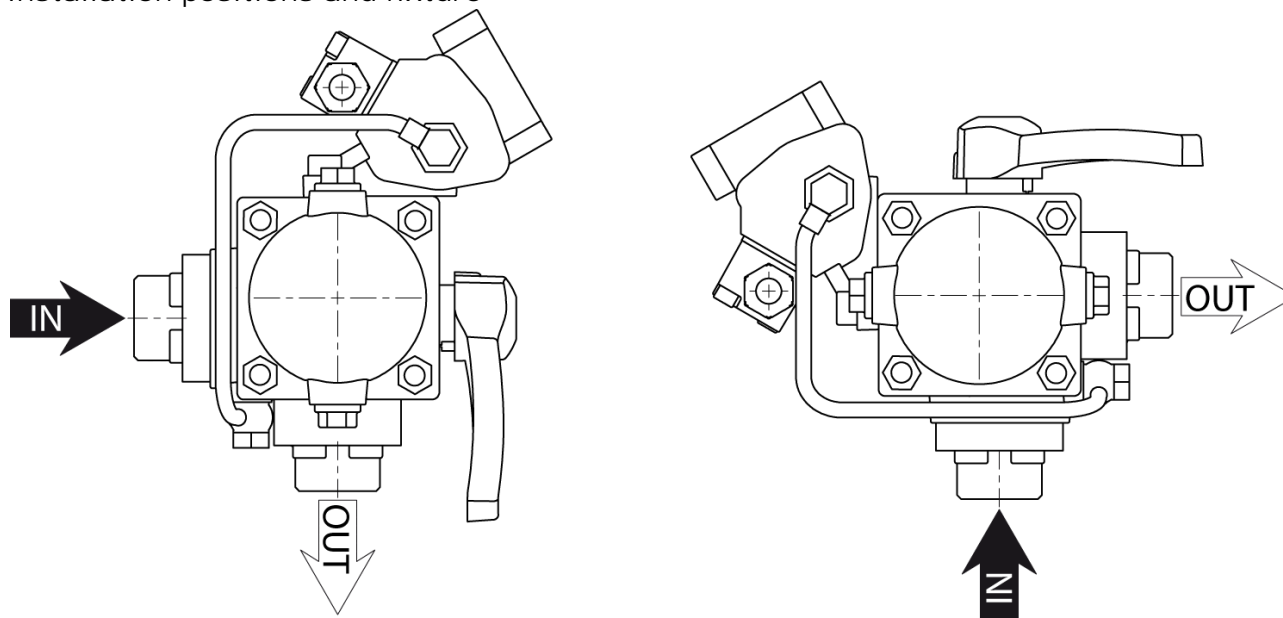
Filter element: See separately available data sheet (filter elements_4.121_221_225--TDB)

Differential pressure indicator: See separately available data sheet (5.02-TDB)

Seals: NBR, (alternatively FPM)

Special materials upon request

Installation positions and fixture

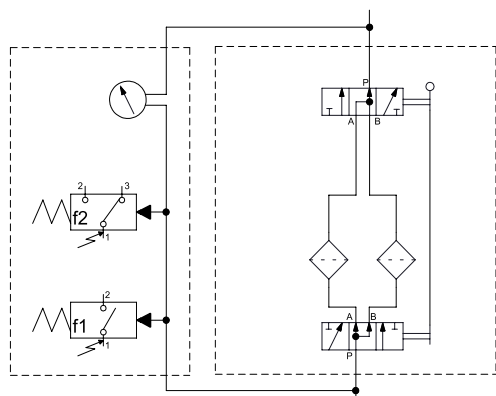


The differential pressure indicator can be read in both installation positions.

Fastening only takes place by means of the flanges at the connection pipes.

A separate fastening to the housing is not provided for.

Schematic



Series 4.225

Technical Data Sheet



Type code (ordering example)
The type code is found on the type plate.

DF 4.225	B20	060	L1	V	5.02-2,0
deltaP® Differential pressure indicator					
		5.02-2,0 The standard filters are equipped with a deltaP® differential pressure indicator type 5.02 (see separate data sheet). Other deltaP® types on request – ask for our brochure.			
Sealing material					
		P NBR (Standard)			
		V FPM			
Other materials on request					
Length code					
		L1 Standard length			
		L2 Extended hoods and elements for 50% larger filter area			
Other lengths on request (welded filter hoods)					
Filter fineness/medium					
		005 Optimesh® wire mesh 5µm nominal, 10µm absolute			
		010 Optimesh® wire mesh 10µm nominal, 25µm absolute			
		015 Optimesh® wire mesh 15µm nominal, 34µm absolute			
		020 Optimesh® wire mesh 20µm nominal, 40µm absolute			
		025 Optimesh® wire mesh 25µm nominal, 60µm absolute			
		040 Optimesh® wire mesh 40µm nominal, 80µm absolute			
		060 Optimesh® wire mesh 60µm nominal, 100µm absolute			
		080 Precimesh® wire mesh 80µm nominal, 150µm absolute			
		100 Precimesh® wire mesh 100µm nominal, 200µm absolute			
		120 Precimesh® wire mesh 120µm nominal, 250µm absolute			
		150 Precimesh® wire mesh 150µm nominal, 300µm absolute			
		Xxx Paper, glass fibre paper			
Other fineness grades on request					
Nominal connection width/size					
20					
Series					
DF 4.225	fluidtech® Twin switch filter type 4.225				

fluidtech® Double Changeover filter