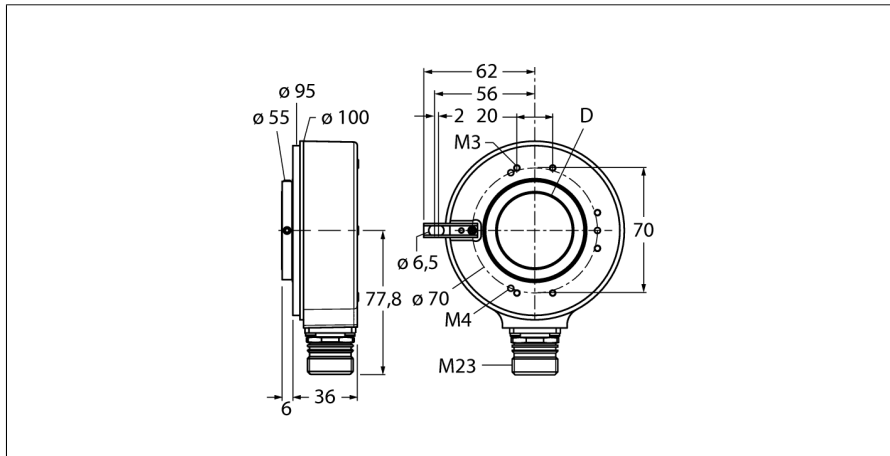


**Incremental Encoder
Industrial Line
RI-42H30S4-2B2048-12M23**



- Flange with long spring element, Ø 100 mm
- Hollow shaft, Ø 30 mm
- Optical measuring principle
- Shaft material: stainless steel
- Protection class IP65 on shaft side
- -40...+70 °C
- Max. 3000 rpm
- 10...30 VDC
- M23 × 1 male, 12-pin
- Push-pull, with inversion
- Pulse frequency max. 300 kHz
- 2048 pulses per revolution

Type designation	RI-42H30S4-2B2048-12M23
Ident no.	1545229
Measuring principle	Optical
Max. Rotational Speed	3000 rpm
Moment of inertia of the rotor	150 x10 ⁻⁶ kgm ²
Starting torque	0.2 Nm
Ambient temperature	-40...+70 °C
Operating voltage	10...30 VDC
No-load current I ₀	≤ 100 mA
Output current	≤ 30 mA
Short-circuit protection	yes
Output type	Incremental
Resolution, incremental	2048 ppr
Pulse frequency max.	300 kHz
Signal level high	min. U _s - 3 V
Signal level low	max. 2.5 V
Design	Hollow shaft
Flange type	Flange with mounting element
Flange diameter	100 mm
Shaft Type	Hollow shaft
Shaft diameter D [mm]	30 mm
Shaft material	Stainless steel
Housing material	Die-cast zinc
Electrical connection	Connector, M23 radial
Vibration resistance (EN 60068-2-6)	100 m/s ² , 10...2000 Hz
Shock resistance (EN 60068-2-27)	1000 m/s ² , 6 ms
Protection class housing	IP65
Protection class shaft	IP65
Included in delivery	Spring element, long

1	B inv.	
2	U _B sens	+
3	0	-
4	0 inv.	-
5	A	
6	A inv.	
7	n.c.	
8	B	
9	n.c.	
10	GND	
11	0V sens	
12	U _B	+
PH	shield	

Incremental Encoder

Industrial Line

RI-42H30S4-2B2048-12M23

Pin configuration

Signal	Gnd	+U _s	A	A inv.	B	B inv.	0	0 inv.	Shield
Pin configuration	10	12	5	6	8	1	3	4	PH
Signal	0V sens	+U _s sens	-	-	-	-	-	-	-
Pin configuration	11	2	-	-	-	-	-	-	-

**Incremental Encoder
Industrial Line
RI-42H30S4-2B2048-12M23**

Accessories

Type code	Ident no.		Dimension drawing
RME-16	1544627	Metal arm bracket, for hollow shaft encoders, length 100 mm; for applications with little axial and radial play; flexibly adjustable	
RME-17	1544628	Metal arm bracket, for hollow shaft encoders, length 150 mm; for applications with little axial and radial play; flexibly adjustable	
RME-18	1544629	Stainless steel stator coupling for hollow shaft encoders, reference diameter 119 mm, for highly dynamic applications with axial and radial play	