

Solenoid operated valves pilot operated poppet type
2-way normally closed
Common cavity, Size 08

VEI-16-08A-NC

OD.15 - X - 18 - Y - Z

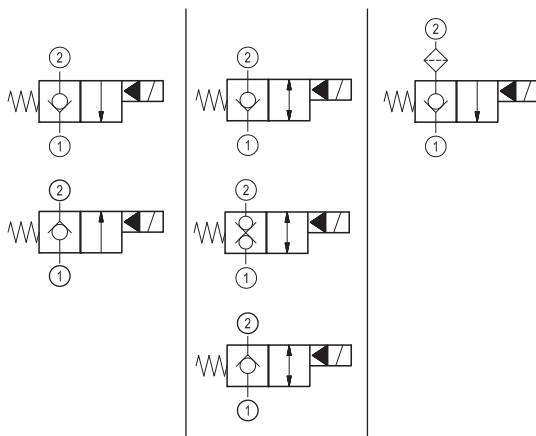
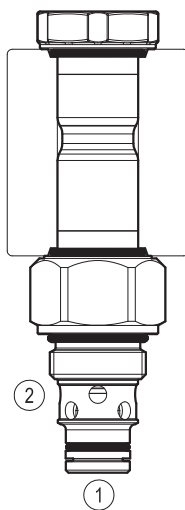
RE 18323-25

Edition: 06.2019

Replaces: 04.2018



PATENT PENDING



Technical data

New VEI-16 family incorporates a new solenoid concept providing excellent performance and enables cartridges to work in severe environment. Cartridges also incorporates advanced design of hydraulic parts providing excellent hydraulic performance.

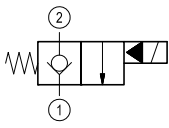
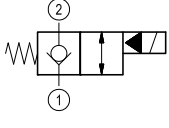
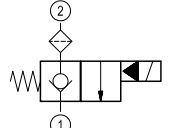
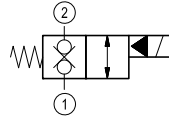
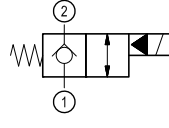
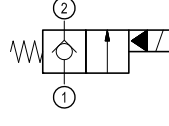
Technical data

| General | |
|--|---|
| Weight | 0.15 kg (0.33 lbs) |
| Installation orientation | Unrestricted |
| Storage ambient temperature range | -40 to 100 °C (-40 to 212 °F) |
| Operating ambient temperature range | -30 to 90 °C (-22 to 194 °F) |
| Hydraulic | |
| Max. operating pressure | 350 bar (5000 psi) |
| Flow range | 0.5 - 40 l/min (0.1 - 11 gpm) |
| Fatigue cycle life | 2 million cycles at 350 bar 150000 cycles at 420 bar |
| Max. internal leakage: | 5 drops/min. for X= 01,05,07 20 drops/min. for X= 31,03,09 |
| Switching time | Opening ≤ 50 ms |
| | Closing ≤ 100 ms |
| Fluid temperature range | -20 to 80 °C (-4 to 176 °F) |
| Fluids: Mineral-based or synthetics with lubricating properties at viscosities of 20 to 380 mm ² /s (cSt) | |
| Installation torque | 39 - 51 Nm (29 - 38 ft-lbs) |
| Recommended degree of fluid contamination | Nominal value max. 10 µm (NAS 8) ISO 4406 19/17/14 |
| MTTFd | 150 years see RE 18350-51 |
| Cavity | CA-08A-2N see 18325-70 |
| Seal kit for X=01,05,07 | code RG08A2010520100 material no. R901101437 |
| Seal kit for X=31,03,09 | code RG08A2010530100 material no. R901101544 |
| Seal kit coil and standard cap | code RG02Z0010000100 material no. R930067869 |
| Seal kit coil and protective cap only for Y=D | code RG03Z0010000100 material no. R930067870 |
| Other technical data | See data sheet 18350-50 |

| Electrical | |
|---|--------------------------|
| Type of voltage | DC voltage |
| Coil type | D36 |
| Supply voltage | See data sheet 18325-90 |
| Voltage tolerance against ambient temperature | See characteristic curve |
| Power consumption | 20 W |
| Type of protection | See data sheet 18325-90 |

Note: Coils must be ordered separately

Ordering code

| | | | | | | |
|---|----------|-----------|----------|----------|-------------|--|
| OD.15 | X | 18 | Y | Z | 0000 | * |
| Solenoid operated valves pilot operated poppet type 2-way normally closed | | | | | | Series O/A to L unchanged performances and dimensions |
| monodirectional type | | | | | | 0 = With buna seal 8 = With buna seal and extra spring only for 03, 05, 31 V = With Viton seal P = With buna seal and protective cap for override version D T = With Viton seal and protective cap for override version D |
|  | | 01 | | | | |
| bidirectional type | | | | | | A = Standard D = Knob style manual override E = Pull style manual override F = Hand operated pull style manual override |
|  | | 05 | | | | |
| monodirectional type with filter | | | | | | |
|  | | 07 | | | | |
| bidirectional type | | | | | | Common cavity: CA-08A-2N |
|  | | 31 | | | | |
| bidirectional type | | | | | | |
|  | | 03 | | | | |
| monodirectional type | | | | | | |
|  | | 09 | | | | |

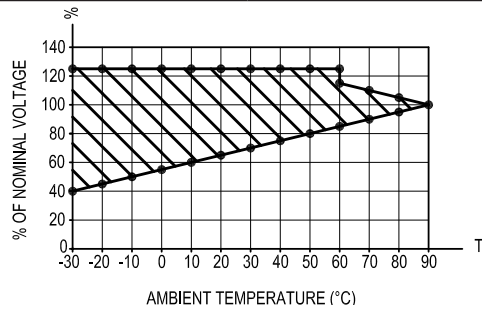
Preferred types

| Type | Material number |
|-----------------|-----------------|
| OD150118A000000 | R930058697 |
| OD150118D000000 | R930059941 |
| OD150518A000000 | R930058427 |
| OD150518D000000 | R930058344 |
| OD150518DP00000 | R930059757 |
| OD150718A000000 | R930058338 |
| OD150718D000000 | R930058336 |
| OD150718DP00000 | R930058529 |
| OD150118E000000 | R930060958 |
| OD150518E000000 | R930060966 |
| OD150718E000000 | R930060973 |
| OD153118A000000 | R930058334 |

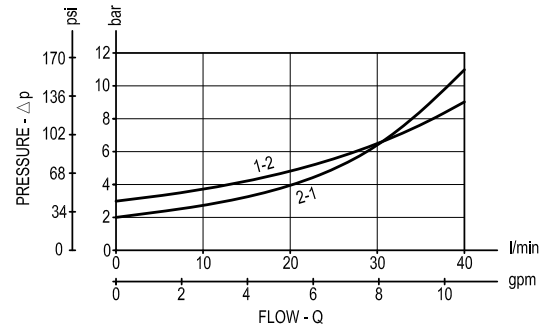
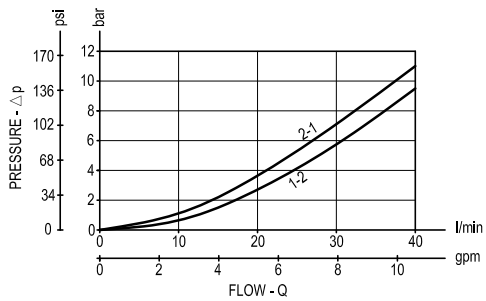
| Type | Material number |
|-----------------|-----------------|
| OD153118D000000 | R930058898 |
| OD153118E000000 | R930065030 |
| OD150518A800000 | R930063229 |
| OD150318A000000 | R930062828 |
| OD150918A000000 | R930064361 |
| OD153118DP00000 | R930066685 |
| OD150518D800000 | R930063959 |
| OD150318D000000 | R930065238 |
| OD150918D000000 | R930066189 |
| OD150318A800000 | R930065856 |
| OD150518A800000 | R930063229 |
| OD153118A800000 | R930066547 |

Characteristic curves

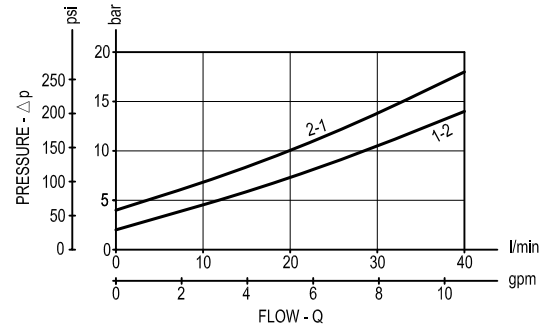
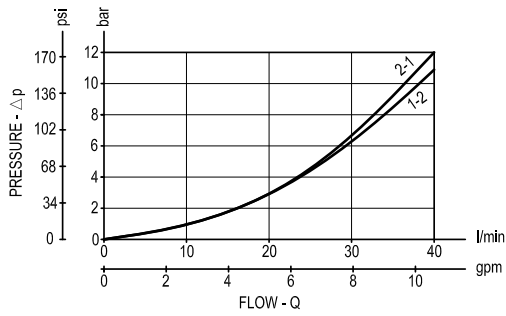
All Versions - Admissible supply voltage Vs. Ambient temperature at 100% duty cycle



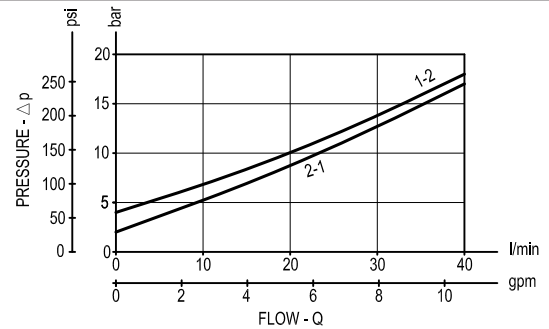
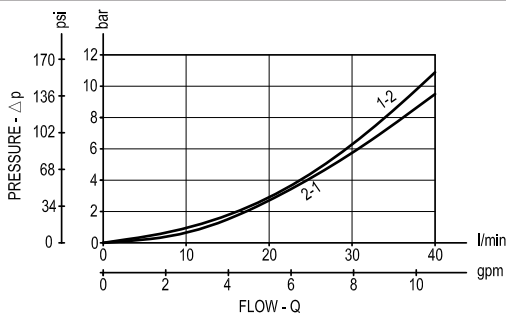
Versions 01, 05, 07 Version 05 with extra spring



Version 31 Version 31 with extra spring

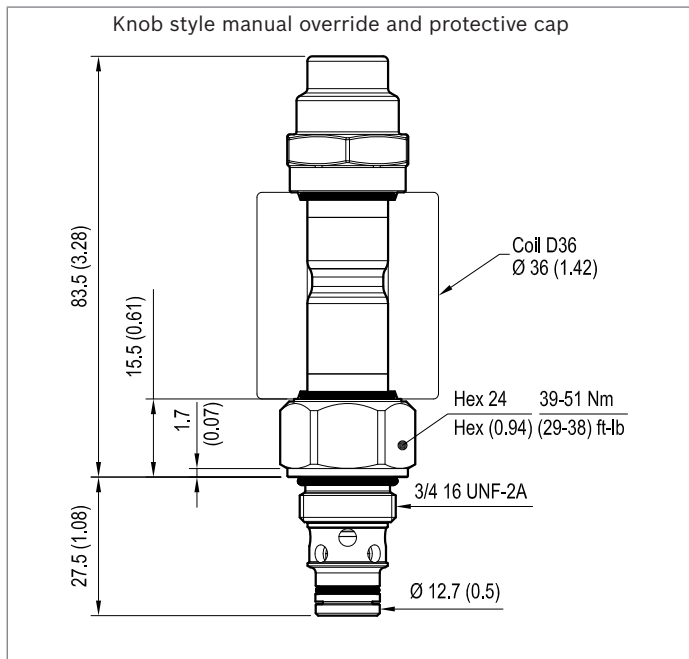
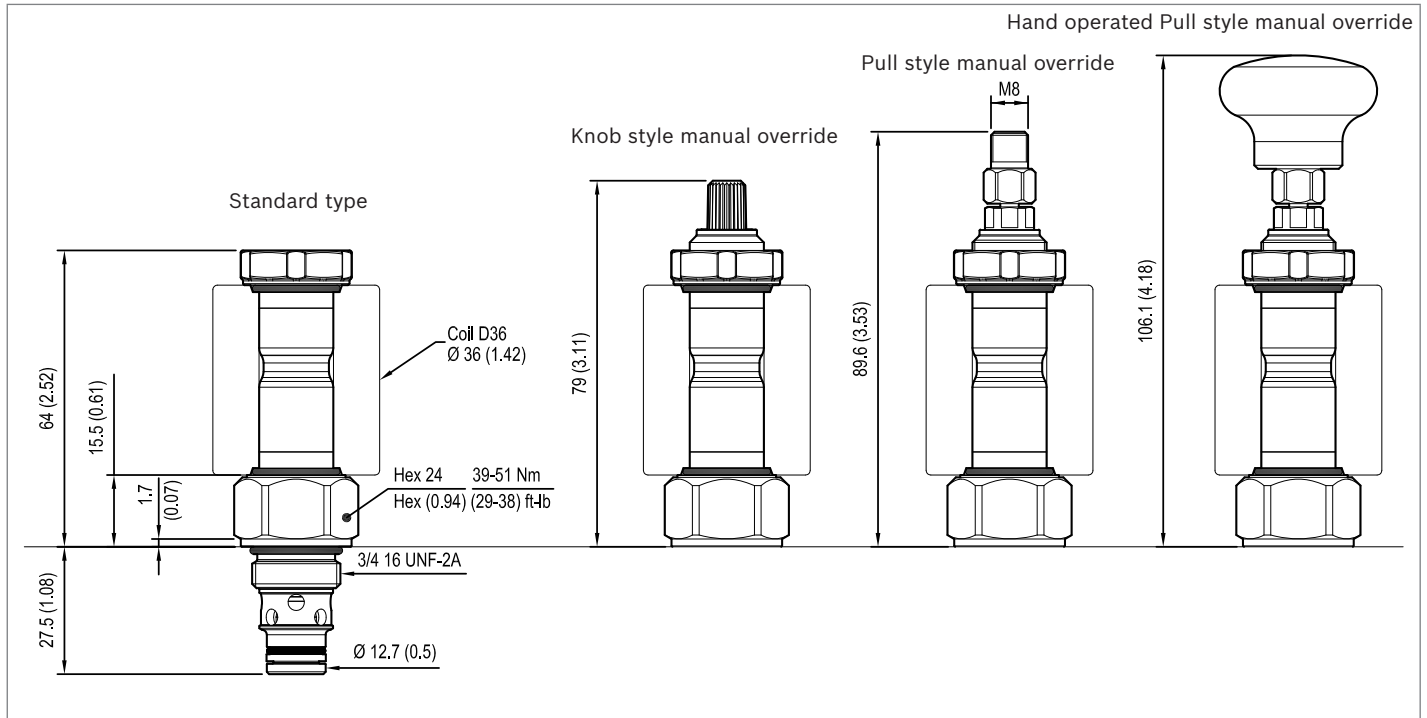


Versions 03, 09 Version 03 with extra spring



Dimensions

Solenoid operated valves, poppet 2-way normally closed



Bosch Rexroth Oil Control S.p.A.

Via Leonardo da Vinci 5
 P.O. Box no. 5
 41015 Nonantola – Modena, Italy
 Tel. +39 059 887 611
 Fax +39 059 547 848
 compact-hydraulics-cv@boschrexroth.com
 www.boschrexroth.com/compacthydraulics

© This document, as well as the data, specifications and other information set forth in it, are the exclusive property of Bosch Rexroth Oil Control S.p.a.. It may not be reproduced or given to third parties without its consent. The data specified above only serve to describe the product. No statements concerning a certain condition or suitability for a certain application can be derived from our information. The information given does not release the user from the obligation of own judgment and verification. It must be remembered that our products are subject to a natural process of wear and aging. Subject to change.