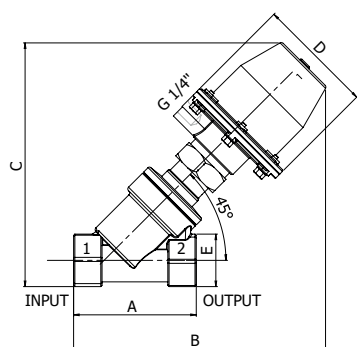


Threaded Connected Pneumatic Piston Valves

PP 1020, PP1021 Water Hammer Serie

Application Areas

Water, Air, Vapour, Gas, Chemicals, Petrol Products, Food, Pharmaceutical, Sterilized Environment, Refining, Dye Machines, Packaging Machines, Drinking Water Station, Vacuum Applications, Oil, Petrol, Alcohol, Hydraulic Oil, Salt Water, Natural Gas, Acid

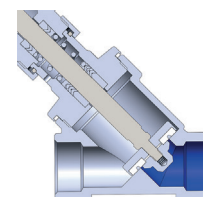


NORMALLY CLOSED

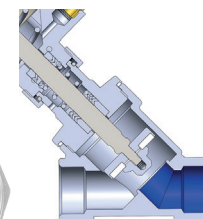
NORMALLY OPEN



PP1020 Serie



PP1021 Serie



Type	DN		A	B	C	D	E
	mm	Ø					
PP1020.03 / PP1021.03	15	1/2"	72	187	178	96	30
PP1020.04 / PP1021.04	20	3/4"	81	191	185	96	36
PP1020.05 / PP1021.05	25	1"	97	195	185	96	42
PP1020.06 / PP1021.06	32	1 1/4"	112	244	234	112	51
PP1020.07 / PP1021.07	40	1 1/2"	127	254	240	112	61
PP1020.08 / PP1021.08	50	2"	142	270	248	112	71

PP1020 Serie Normally Closed

Connection Size	Orifice Size	Working Pressure*		Pilot Pressure		Control Cylinder	KV	Fluid Temperature		Seal	Valve Type/ Order No	Weight
		mm	mm	mm	mm			°C	°C			
G"	mm	min	max	min	max	Ø	lt/min	min	max	PP1020	kg	
1/2"	15	-1	16	4	8	63	98	-10	180	PTFE	PP1020.03	2.200
3/4"	20	-1	12	4	8	63	170	-10	180	PTFE	PP1020.04	2.400
1"	25	-1	8	4	8	63	305	-10	180	PTFE	PP1020.05	2.700
1 1/4"	32	-1	12	4	8	80	460	-10	180	PTFE	PP1020.06	3.900
1 1/2"	40	-1	8	4	8	80	750	-10	180	PTFE	PP1020.07	5.250
2"	50	-1	6	4	8	80	1050	-10	180	PTFE	PP1020.08	5.750

PP1021 Serie Normally Open

Connection Size	Orifice Size	Working Pressure*		Pilot Pressure		Control Cylinder	KV	Fluid Temperature		Seal	Valve Type/ Order No	Weight
		mm	mm	mm	mm			°C	°C			
G"	mm	min	max	min	max	Ø	lt/min	min	max	PP1021	kg	
1/2"	15	-1	10	4	8	63	98	-10	180	PTFE	PP1021.03	2.200
3/4"	20	-1	10	4	8	63	170	-10	180	PTFE	PP1021.04	2.400
1"	25	-1	8	4	8	63	305	-10	180	PTFE	PP1021.05	2.700
1 1/4"	32	-1	8	4	8	80	460	-10	180	PTFE	PP1021.06	3.900
1 1/2"	40	-1	6	4	8	80	750	-10	180	PTFE	PP1021.07	5.250
2"	50	-1	6	4	8	80	1050	-10	180	PTFE	PP1021.08	5.750

* The maximum working pressure in the tables is given according to the pilot pressure of 6 bar.