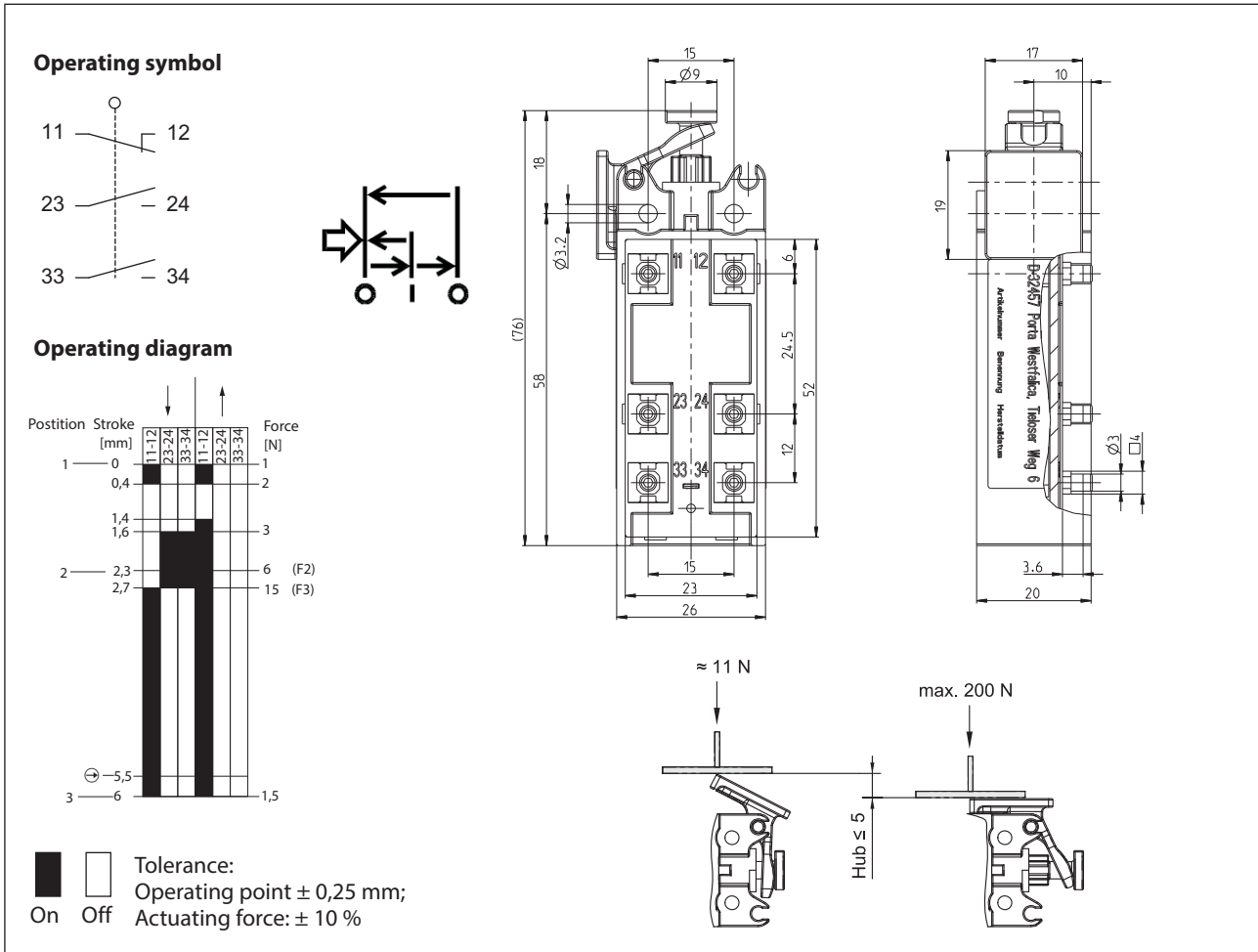


Plastic bodied limit switch Series ZS

Description **ZS-EB-RAST LINKS LP**

Article number **6009001004**



Electrical Data		
Rated insulation voltage	U_i	250 V AC
Conv. thermal current	I_{the}	5 A
Rated impulse withstand voltage	U_{imp}	2,5 KV
Rated supply voltage	U_e	240 V AC and 24 V DC
Utilization category		AC-15, U_e / I_e 240 V / 1,5 A, 50-60 Hz DC-13, U_e / I_e 24 V / 1,0 A
Direct opening action	\odot	acc. to IEC/EN 60947-5-1, Annex K Positive opening force: 35 N
Short-circuit protective device		D-Fuse 4 A gG
Protection class		III, (extra- low voltage) (acc. to IEC 60664-1)

Mechanical data	
Enclosure	Thermoplastic, glass fibre reinforced (UL 94-V0)
Actuator	Plunger (thermoplastic)
Resetting	unlock key (thermoplastic)
Ambient air temperature	-10 °C ... +50 °C
Storage temperature	-25 °C ... +70 °C
Contact type	1 NC, 2 NO (Zb)
Mechanical life	1 x 10 ⁶ switching cycles
Switching frequency	≤ 30/min
Assembly	2 x M3
Connection conductor plate	6 x M1,6 (8 Ncm ≤ Md ≤ 10 Ncm)
Contact area	Ø 3 mm
Drillings conductor plate	Ø 1,85 mm to plate through
Thickness conductor plate	1,5 mm ≤ t ≤ 2 mm
Weight	≈ 0,35 kg
Installation position	Operator definable
Protection type	IP00 acc. to EN 60529; DIN VDE 0470 T1

Actuation	
Actuating the device is possible only in direction of the plunger.	

ID for safety engineering	
B10d	1 x 10 ⁵ cycles

Standards	
	VDE 0660 T100, DIN EN 60947-1, IEC 60947-1
	VDE 0660 T200, DIN EN 60947-5-1, IEC 60947-5-1
	VDE 0660 T215 , DIN EN 60947-5-8. IEC 60947-5-8
	DIN EN ISO 13849-1

EU Conformity	
acc. to directive 2006/42/EC	

Approvals	
	cUL _{US}
	DGUV