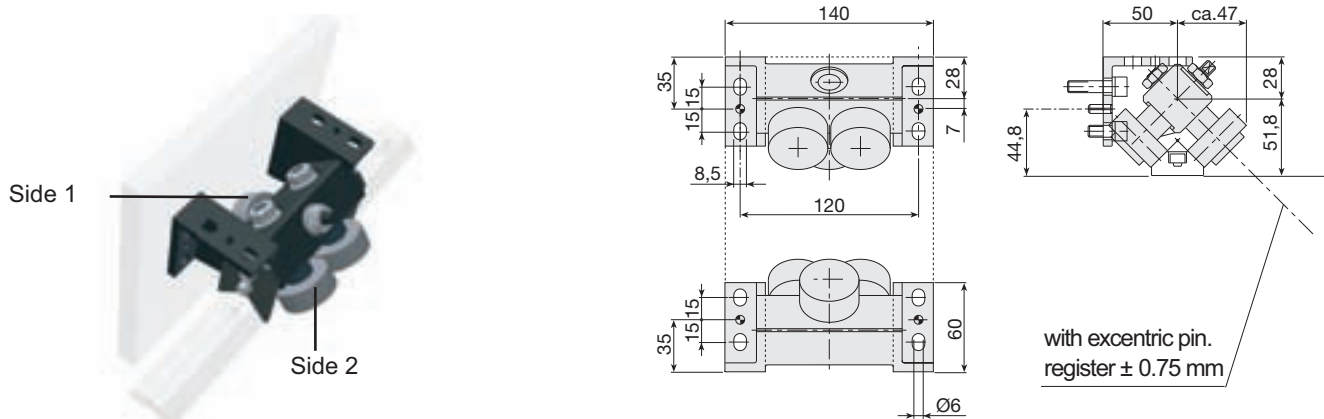


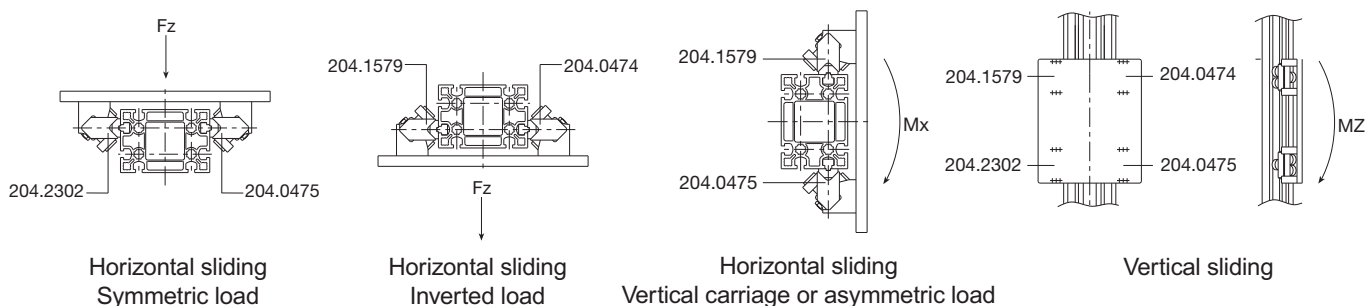
3-Roller slides Ø 40 for V-shaped guide rails 35x16

Please follow the diagrams below to ensure correct assembly. To make up for tolerances in the profile shapes, use pins to lock carriages with eccentric rollers after placing them in the appropriate position. (With the eccentric pins in the neutral position).



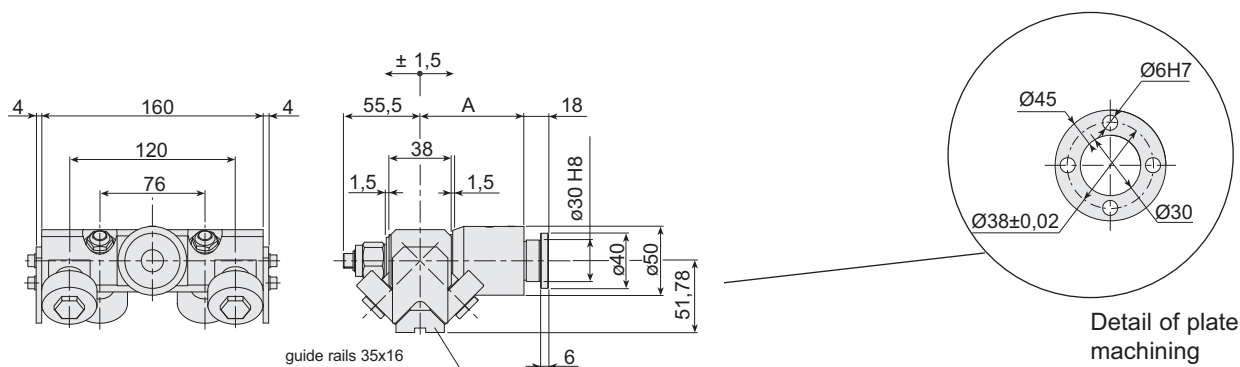
Rollers side 1	Rollers side 2	Specification	Weight [kg]	Code
1 concentric	2 concentric	3-rollers carriage Ø40 - concentric	1.3	204.1579
1 eccentric	2 concentric	3-rollers carriage Ø40 - 1 exc. side 1	1.3	204.0474
2 concentric	1 concentric	3-rollers carriage Ø40 - concentric	1.3	204.2302
2 concentric	1eccentric	3-rollers carriage Ø40 - 1 exc. side 2	1.3	204.0475

Application diagram common to 3-roller slides



Tilting roller slides with 4 rollers Ø40 for V-shaped guide rails 35x16

Use the roller slide eccentric pin to adjust the backlash along the plane between the guide rails.tino.



Important: remove the spacer washers to enable self-alignment of the roller slide

	A	Weight [kg]	Code	Spare parts	A	Code
Slide with eccentric stud (±1 mm)	75	2.2	204.0016	Complete body with rollers		204.0013
Slide with eccentric stud (±1 mm)	50	1.8	204.0033	Eccentric stud (±1 mm)	75	236.0011
				Eccentric stud (±1 mm)	50	236.0015

All pins are eccentric, but are made concentric by inserting the pin in the specific hole on the plate, in order to determine the required preload.