



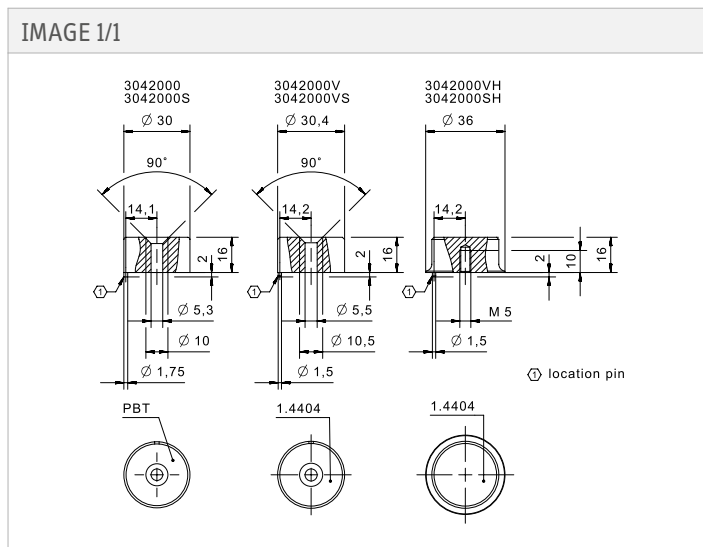
Actuator 30420000

The 30420000 actuator is for use with the 120..2, 171 and 671 safety sensors and is suitable for a wide range of applications.

Product characteristics

- Can be used in adverse environmental conditions thanks to the stainless steel housing
- Hygienic design available

Technical drawing



Properties

Attribute	30420000	30420000S	30420000SH	30420000V	30420000VH	30420000VS
Coding acc. to EN ISO 14119	Low					
Suitable for sensor type(s)	171 / 671 / 120..2 / 171K / 117					

Mechanical data

Attribute	30420000	30420000S	30420000SH	30420000V	30420000VH	30420000VS
Dimensions	30x16		36x16	30.4x16	36x16	30.4x16

Material information

Attribute	30420000	30420000S	30420000SH	30420000V	30420000VH	30420000VS
Housing material	PBT		1.4404			
Housing colour	schwarz		silber			

Installation

Attribute	30420000	30420000S	30420000SH	30420000V	30420000VH	30420000VS
Mounting type	screwed					