

Horizontal acting toggle clamps

Steel / Stainless Steel, with vertical mounting base

SPECIFICATION

Types

- Type **MF**: U-bar version, with two flanged washers
- Type **MFC**: U-bar version, with two flanged washers and GN 708.1 spindle assembly (see page 1625)

Version in Steel

- Case-hardened Steel C10, zinc plated, blue passivated
- Bearing pins tempered
- Bearing rivets (for size 355 and up), case-hardened

All moving parts lubricated with special grease

Hand grip
High quality, oil resistant red plastic

Spindle assembly GN 708.1, Type A (see page 1625)

- Steel, zinc plated
- Rubber tip 85 Shore A

Version in Stainless Steel NI

Stainless Steel AISI 304

All moving parts lubricated with special grease

Hand grip
High quality, oil resistant red plastic

Spindle assembly GN 708.1, Type A (see page 1625)

- Stainless Steel AISI 304
- Rubber tip 85 Shore A

TECHNICAL INFORMATION

- Stainless Steel characteristics (see page A26)

ACCESSORY

- Spindle assemblies (see page 1623)
- GN 801 clamp mounts for toggle clamps (for Type MF) (see page 1629)



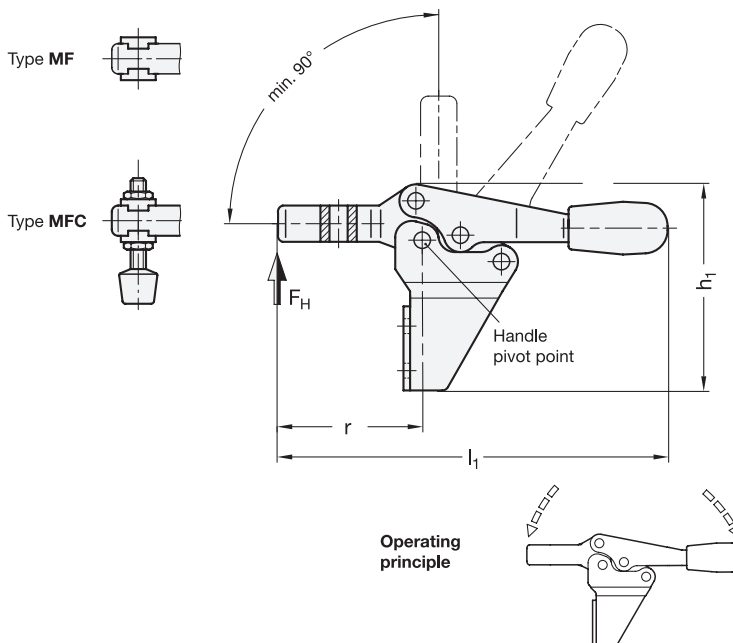
INFORMATION

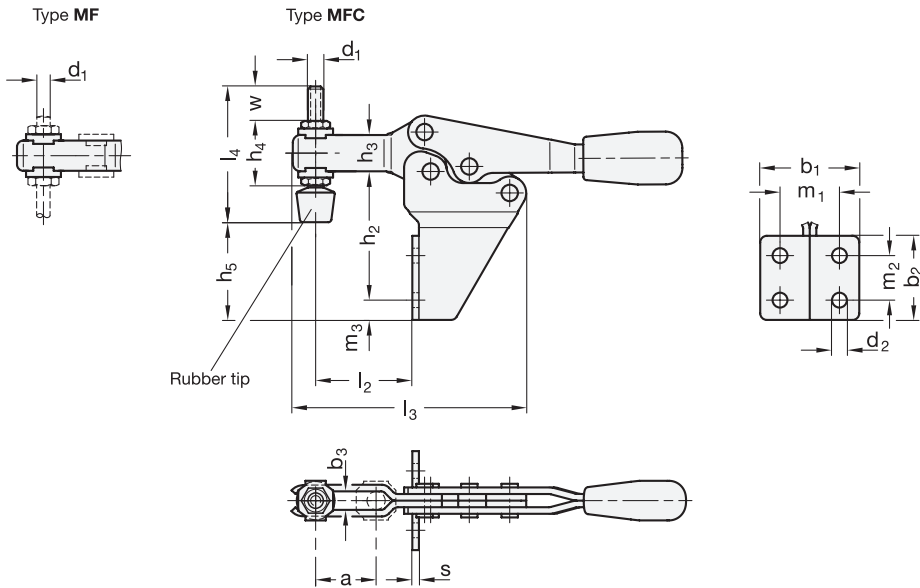
GN 820.2 horizontal acting toggle clamps work according to the toggle principle: lever and clamping bar move in the opposite direction.

They require less space for the clamping action. In the clamped position the operating lever is in its horizontal position. The 90° rotated mounting surface allows a space-saving installation in addition to the clamping point.

Horizontal acting toggle clamps in the U-bar version with two flanged washers (Type MF) can accommodate an application specific clamping screw. A spindle assembly with neoprene rubber tip is also included for Type MFC.

- General information for toggle clamps (see page 1560)





GN 820.2

| Description | Size | Fh in N | a ≈ | b1 | b2 | b3 | d1 | d2 | h1 | h2 | h3 | h4 | h5 max. | l1 | l2 | l3 | l4 | m1 | m2 | m3 | r | s | w | Δ |
|------------------|------|---------|-----|----|------|------|------|-----|-----|------|----|------|---------|-----|----|-----|----|------|------|-----|-------|-----|------|-----|
| GN 820.2-75-MF | 75 | 900 | 20 | 30 | 25.5 | 5.5 | M 5 | 4.5 | 62 | 39 | 11 | - | - | 118 | 30 | 72 | - | 18 | 13.5 | 6 | 42.5 | 2 | - | 105 |
| GN 820.2-130-MF | 130 | 1000 | 32 | 39 | 35 | 6.5 | M 6 | 5.5 | 85 | 57.5 | 16 | - | - | 170 | 45 | 95 | - | 26 | 22 | 6.5 | 61 | 2.5 | - | 240 |
| GN 820.2-230-MF | 230 | 1700 | 37 | 43 | 40 | 8.5 | M 8 | 6.5 | 102 | 69 | 18 | - | - | 195 | 52 | 113 | - | 28.5 | 24 | 8 | 70 | 3 | - | 400 |
| GN 820.2-355-MF | 355 | 1800 | 58 | 52 | 52 | 10.5 | M 10 | 8.5 | 135 | 92 | 22 | - | - | 270 | 85 | 166 | - | 32 | 32 | 10 | 108.5 | 3.5 | - | 840 |
| GN 820.2-75-MFC | 75 | 900 | 20 | 30 | 25.5 | 5.5 | M 5 | 4.5 | 62 | 39 | 11 | 19 | 30 | 118 | 30 | 72 | 45 | 18 | 13.5 | 6 | 42.5 | 2 | 15 | 105 |
| GN 820.2-130-MFC | 130 | 1000 | 32 | 39 | 35 | 6.5 | M 6 | 5.5 | 85 | 57.5 | 16 | 25.5 | 47.5 | 170 | 45 | 95 | 55 | 26 | 22 | 6.5 | 61 | 2.5 | 17.5 | 240 |
| GN 820.2-230-MFC | 230 | 1700 | 37 | 43 | 40 | 8.5 | M 8 | 6.5 | 102 | 69 | 18 | 30 | 53 | 195 | 52 | 113 | 68 | 28.5 | 24 | 8 | 70 | 3 | 20 | 400 |
| GN 820.2-355-MFC | 355 | 1800 | 58 | 52 | 52 | 10.5 | M 10 | 8.5 | 135 | 92 | 22 | 37 | 73.5 | 270 | 85 | 166 | 77 | 32 | 32 | 10 | 108.5 | 3.5 | 19 | 840 |

GN 820.2-NI

STAINLESS STEEL

| Description | Size | Fh in N | a ≈ | b1 | b2 | b3 | d1 | d2 | h1 | h2 | h3 | h4 | h5 max. | l1 | l2 | l3 | l4 | m1 | m2 | m3 | r | s | w | Δ |
|---------------------|------|---------|-----|----|------|-----|-----|-----|-----|------|----|------|---------|-----|----|-----|----|------|------|-----|------|-----|------|-----|
| GN 820.2-75-MF-NI | 75 | 900 | 20 | 30 | 25.5 | 5.5 | M 5 | 4.5 | 62 | 39 | 11 | - | - | 118 | 30 | 72 | - | 18 | 13.5 | 6 | 42.5 | 2 | - | 105 |
| GN 820.2-130-MF-NI | 130 | 1000 | 32 | 39 | 35 | 6.5 | M 6 | 5.5 | 85 | 57.5 | 16 | - | - | 170 | 45 | 95 | - | 26 | 22 | 6.5 | 61 | 2.5 | - | 240 |
| GN 820.2-230-MF-NI | 230 | 1700 | 37 | 43 | 40 | 8.5 | M 8 | 6.5 | 102 | 69 | 18 | - | - | 195 | 52 | 113 | - | 28.5 | 24 | 8 | 70 | 3 | - | 400 |
| GN 820.2-75-MFC-NI | 75 | 900 | 20 | 30 | 25.5 | 5.5 | M 5 | 4.5 | 62 | 39 | 11 | 19 | 30 | 118 | 30 | 72 | 45 | 18 | 13.5 | 6 | 42.5 | 2 | 15 | 105 |
| GN 820.2-130-MFC-NI | 130 | 1000 | 32 | 39 | 35 | 6.5 | M 6 | 5.5 | 85 | 57.5 | 16 | 25.5 | 47.5 | 170 | 45 | 95 | 55 | 26 | 22 | 6.5 | 61 | 2.5 | 17.5 | 240 |
| GN 820.2-230-MFC-NI | 230 | 1700 | 37 | 43 | 40 | 8.5 | M 8 | 6.5 | 102 | 69 | 18 | 30 | 53 | 195 | 52 | 113 | 68 | 28.5 | 24 | 8 | 70 | 3 | 20 | 400 |

