

Main Features:



- General building supervisory approval issued by DIBt: Z-65.40-496
- Certification of Product Approval by SVTI ASIT: KVVU-No. 321.012.14
- Vlare II (Corcon bvba) Prototypekeur certificaat nr.: CP0914/3073-HCC001
- GOST-Clearance Certificate: 42 1300 / 9026 10 290 0
- Integrated measuring transducer and test button connection
- No moving parts
- All plastic version
- For universal connection
 - PLC or signalling device – MAXIMAT TC1/TC4
 - Supply power isolator – CST or Coupling relays
 - Measuring transducer – MAXIMAT SHR C
- Suitable for electrically conductive, non-flammable liquids

Application:

Leakage sensor for containers used for storing, filling and handling of water-endangering, non-flammable liquids

Description:

The MAXIMAT LW CX compact leakage sensor is used to signal leakage from containers with water endangering liquids. When an electrically conductive liquid comes into contact with the measuring sensors, the integrated electronics respond by interrupting the continuously generated signal. Acoustic and optical alarms can be triggered upon interruption of the signal.

Technical Data:

Functional principal:	Capacitive high-frequency, fail-safe
Ambient temperature:	-20 to +60°C
Operating pressure:	Atmospheric, 0.8 to 1.1bar
Terminal housing:	PBT, fibre-glass reinforced, IP65 protection per EN 60 529
Process interface:	See order information
Supply power:	15 to 27V DC
Connected load:	<1W
Cable:	PVC, 5 x 0.34mm ²

- ❖ WHG§19 Germany
- ❖ KVVU Switzerland
- ❖ GOST Russ. Federation

Technical layouts, materials etc. are subject to change at any time without notice.

Technical Data (continued):

Materials: Angle bracket / tube cap = PVC
Sensor = PVC (LW CX 25) / PE (LW CX 40)

Outputs:

- **Floating reed relay contact** (contact opens in case of alarm) for extra-low voltage, max. 50V AC / DC, max. 0.5A, max. 10VA e.g. for operating coupling relays or PLC, TC4 signalling device or CST supply power isolator
- **2-wire alarm evaluation** with MAXIMAT SHR C measuring transducer

Note: Simultaneous use of both outputs is not possible.

Terminals: Screw terminal for wire cross-sections of up to 2.5mm²

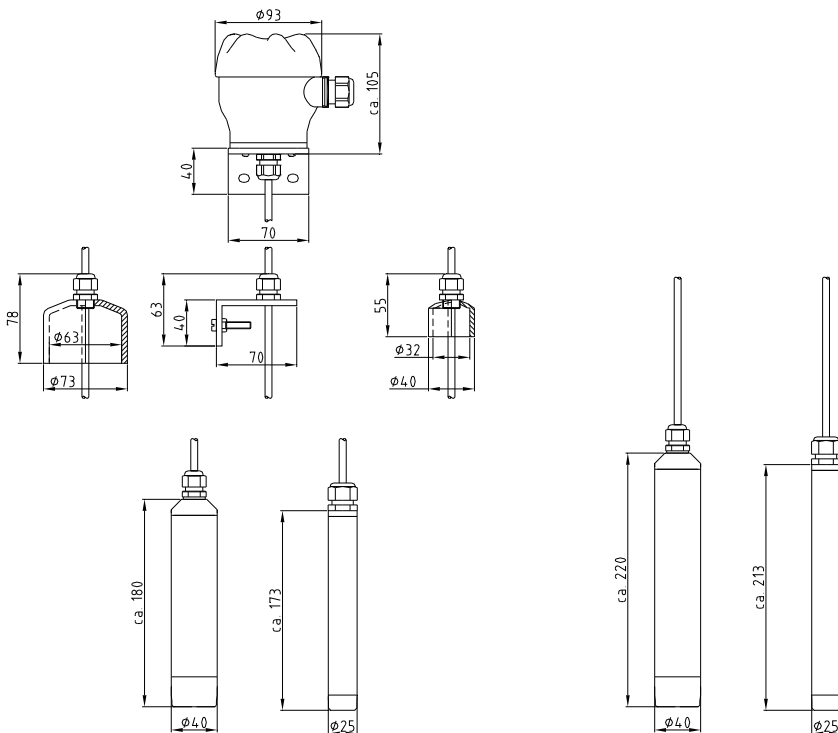
Additional function:

Connection of an external test button (floating contact) with which the entire MAXIMAT LW CX electronics, the wiring and the signalling device / control unit can be tested.

CE Mark:

In accordance with low-voltage directive (2006/95/EC) and EMC directive (2004/108/EC)

Dimensions:



Variants With Terminal Housing

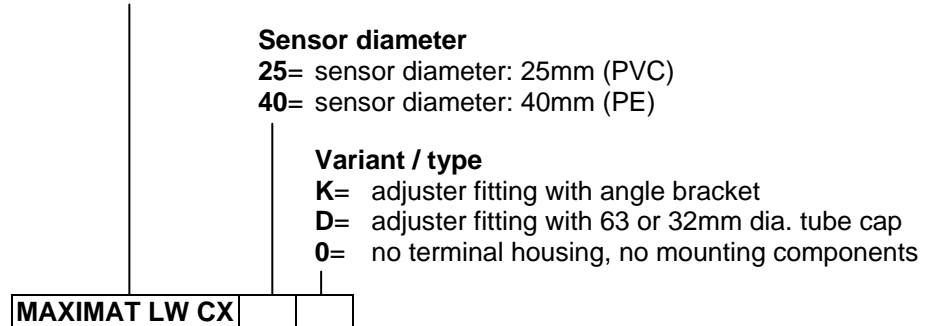
Variants Without Terminal Housing



Technical layouts, materials etc. are subject to change at any time without notice.

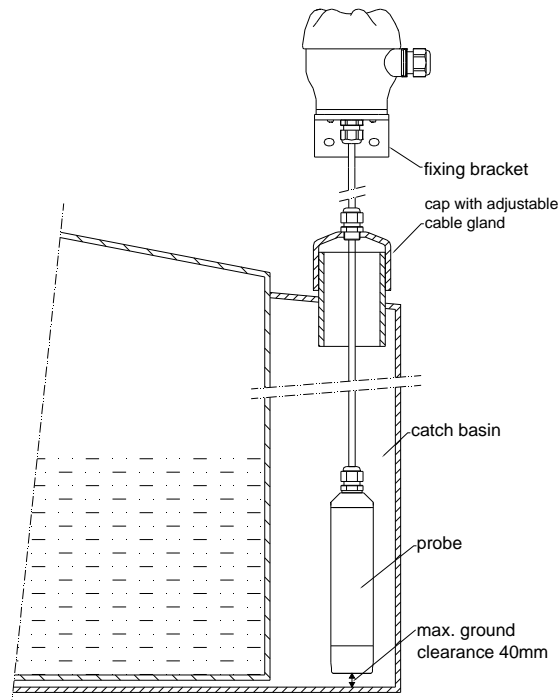
Order Information:

MAXIMAT LW CX with 6 meter connector cable



Other cable lengths and mounting components upon request

Article No.	Designation	Description
556 700	MAXIMAT LW CX 40 K	Leakage sensor with 40mm dia. sensor (PE), terminal housing and angle bracket with adjuster fitting
556 710	MAXIMAT LW CX 40 D	Leakage sensor with 40mm dia. sensor (PE), terminal housing and 63mm dia. tube cap with adjuster fitting
556 715	MAXIMAT LW CX 40 0	Leakage sensor with 40mm dia. sensor (PE), permanently connected 6m connector cable, without mounting components
556 730	MAXIMAT LW CX 25 K	Leakage sensor with 25 mm dia. sensor (PVC), terminal housing and angle bracket with adjuster fitting
556 740	MAXIMAT LW CX 25 D	Leakage sensor with 25mm dia. sensor (PVC), terminal housing and 32mm dia. tube cap with adjuster fitting
556 745	MAXIMAT LW CX 25 0	Leakage sensor with 25mm dia. sensor (PVC), permanently connected 6m connector cable, without mounting components



Technical layouts, materials etc. are subject to change at any time without notice.