



Optical Smoke Detector

Salwico DOS3

Part no. N1115

System: Salwico conventional fire alarm systems

Description

The DOS3 is a low profile conventional optical smoke detector designed to combine optimal response to smoke with a strong immunity to false and unwanted alarms.

The sensor employs an alarm verification function, which requires two successive pulses before an alarm is given.

The detector design provides strong immunity to air velocities, contamination and EMC. By means of a special protective mesh it is ensured that smoke can enter the detector easily whilst accessibility to insects and airborne contaminants is eliminated.

The DOS3 detector can be mounted on bases for use in both dry spaces and in harsh environments.

The DOS3 is compatible with the OD-5 smoke detector.

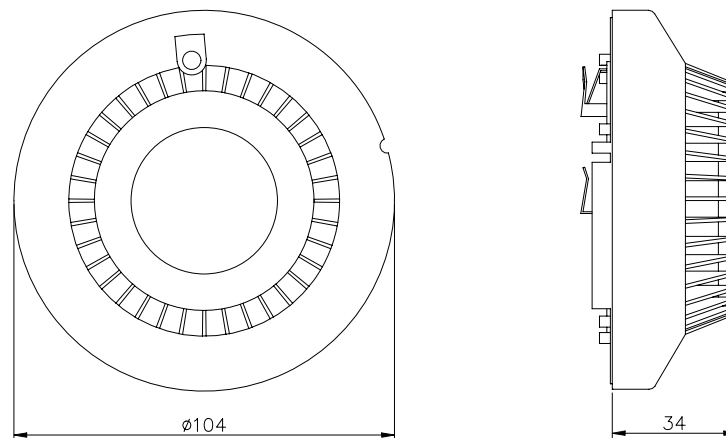
Data

Operating principle	Conventional, optical, light scattering type, infrared
Nominal voltage	24VDC
Working voltage	17-30VDC
Operating current	
- supervising	max 40 μ A at 24 VDC
- alarm	max 55 mA
- extra LED	max 20 mA at 6 V
Alarm resistance	430 Ω
Temperature range	-25°C to +70°C
Ambient Humidity	0 – 95% RH
Ingress protection	IP42 / IP55 depending on base
Weight (head only)	95 g
Colour	White

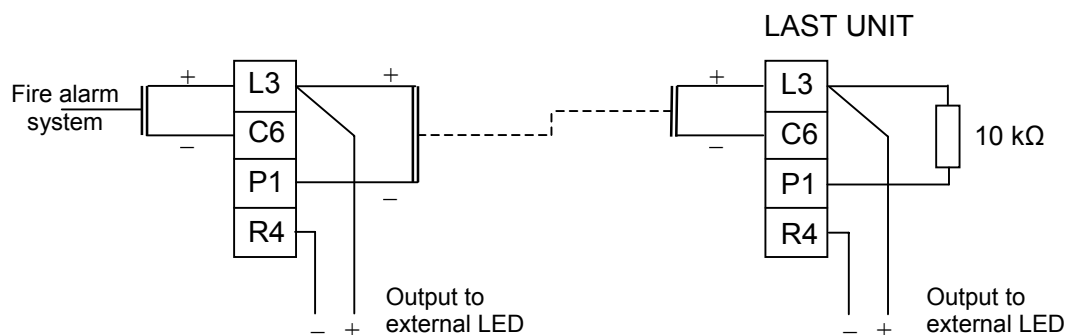
Detector Bases

For information about suitable base plates, see separate document "Base matrix for Salwico units".

Dimensions (mm)



Connection



Specifications may be subject to change for improvement without prior notice

Data sheet no: N1115.06.1.E