

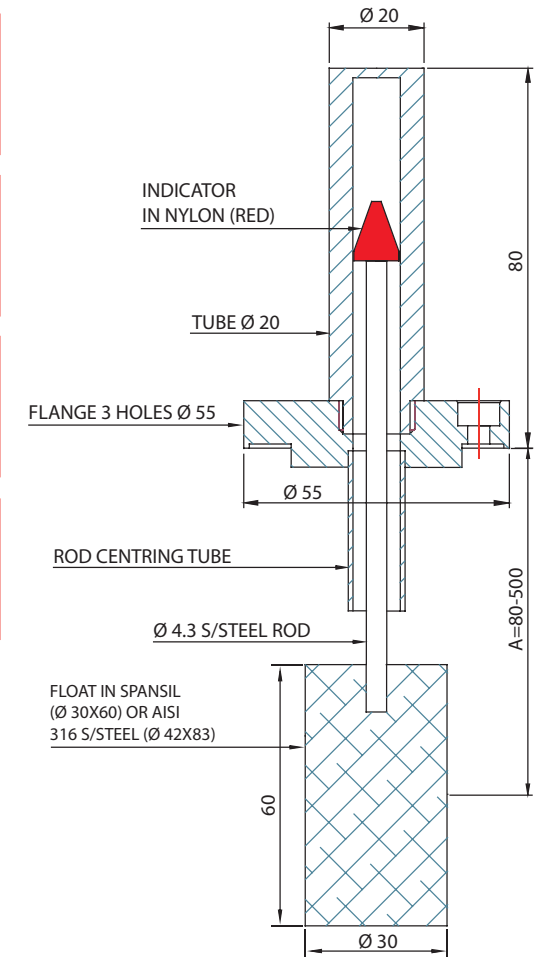
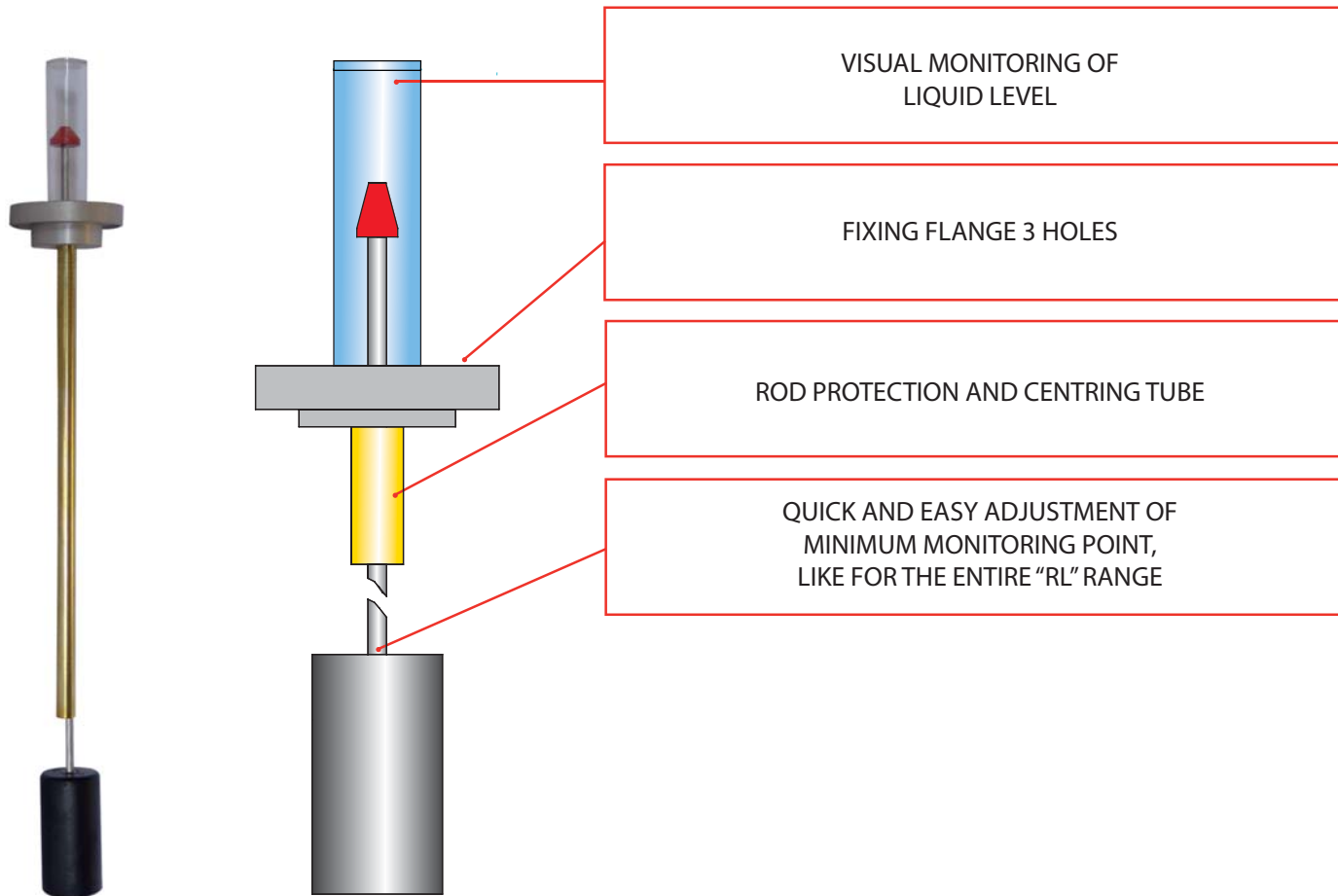
RL/G1V

VISUAL IMMERSION LEVEL SWITCH



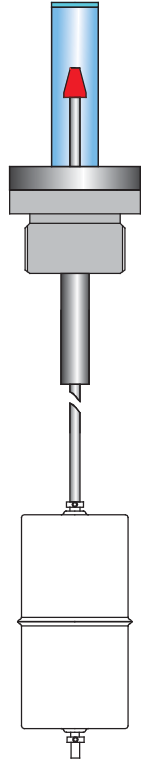
RL / G1 - V

VISUAL IMMERSION LEVEL SWITCH FLANGED CONNECTION



RL / G1 - V - 1"1/4

VISUAL IMMERSION LEVEL SWITCH 1"1/4 GAS THREAD CONNECTION AND NPT

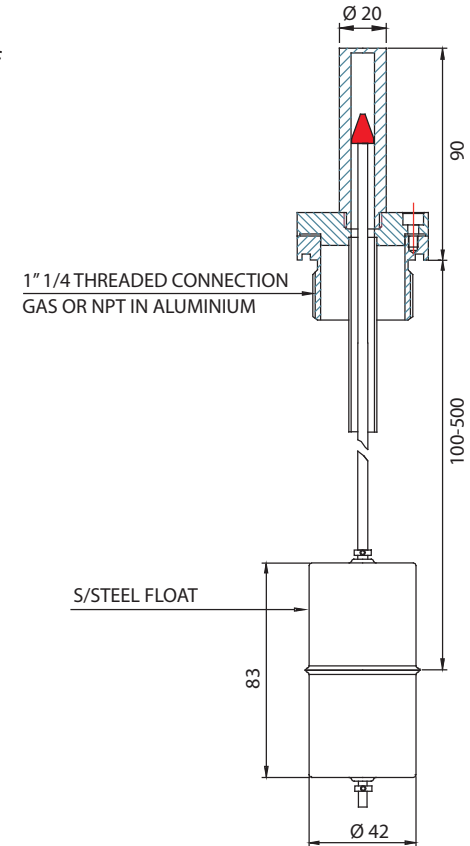


The easiest way to visually monitor the liquid level, without having to drill the side of the tank.

Adjustment is quick and practical:

- remove the float that creates a pressure seal with a silicone sheath (version with NBR float)
- cut the rod and centring tube with a pipe cutter
- refit the float
- or it can be ordered already to size.

The float pushes the rod, with an indicator at the top which clearly and accurately shows the level of the liquid.



MODEL	OPERATING TEMPERATURE	OPERATING PRESSURE	MATERIAL ROD Ø4,3	TUBE Ø20	MATERIAL SEAL	MATERIAL FLANGE Ø55	MATERIAL CENTERING TUBE	MATERIAL FLOAT	DRILLING DIAGRAM	SWITCHING POINT
RL/G1-V	-20 +70 °C	5 BAR	AISI 304	METHACRYLATE	NBR (SILICONE ON REQUEST)	ANODISED ALUMINIUM	BRASS	NBR FOAM		80 - 500 mm
RL/G1-V-INOX			AISI 316				AISI 316	AISI 316		
THE RING NUT 1"1/4 GAS OR NPT CON BE COMBINED WITH EITHER THE BRASS OR S/STEEL VERSION										100 - 500 mm