

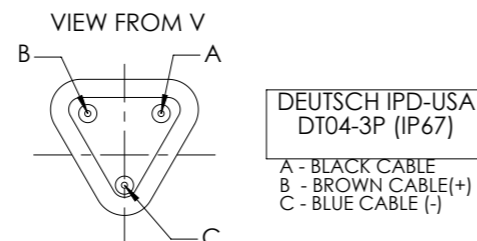
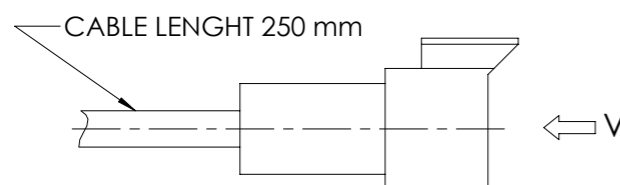
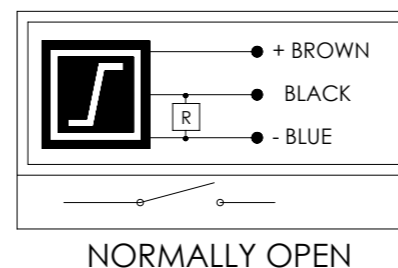
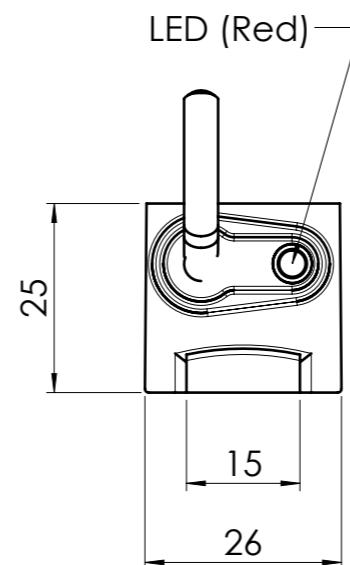
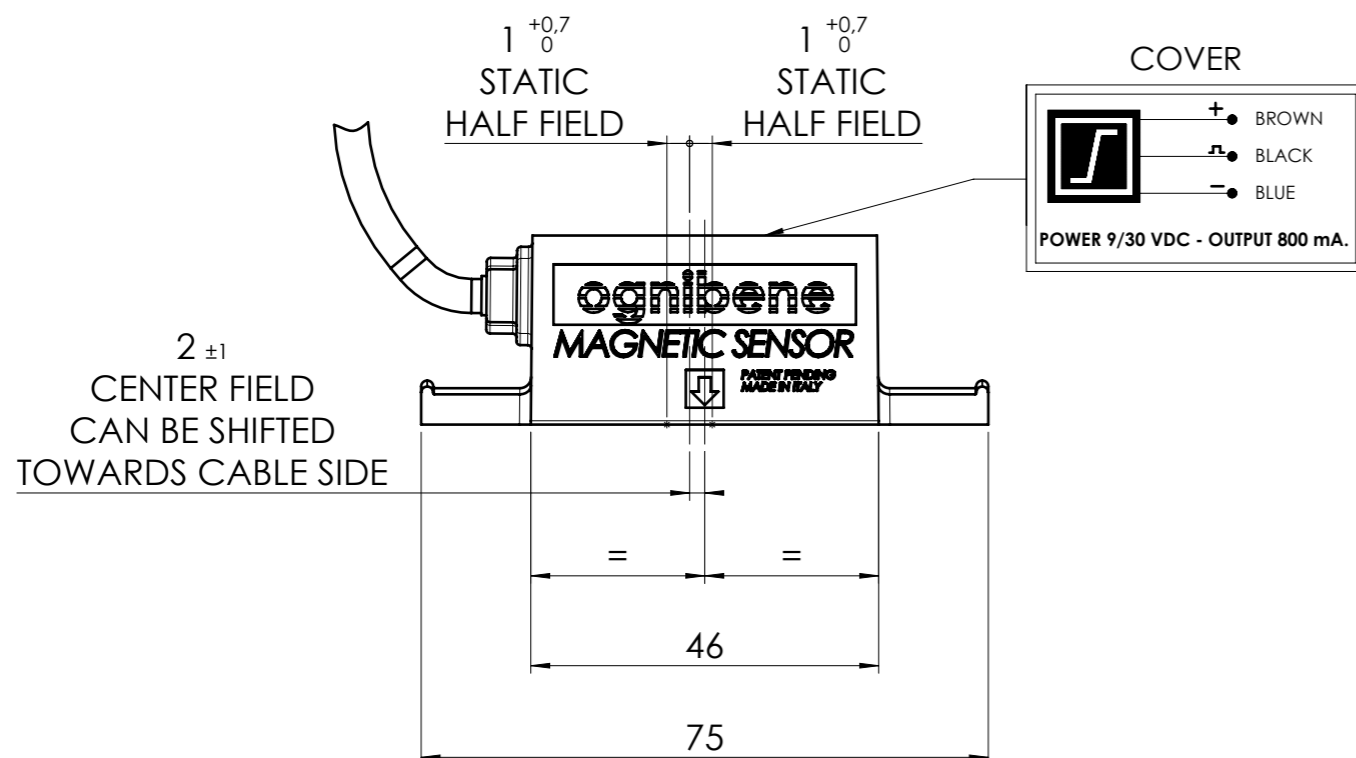
PART NUMBER
483002065

REV.
04

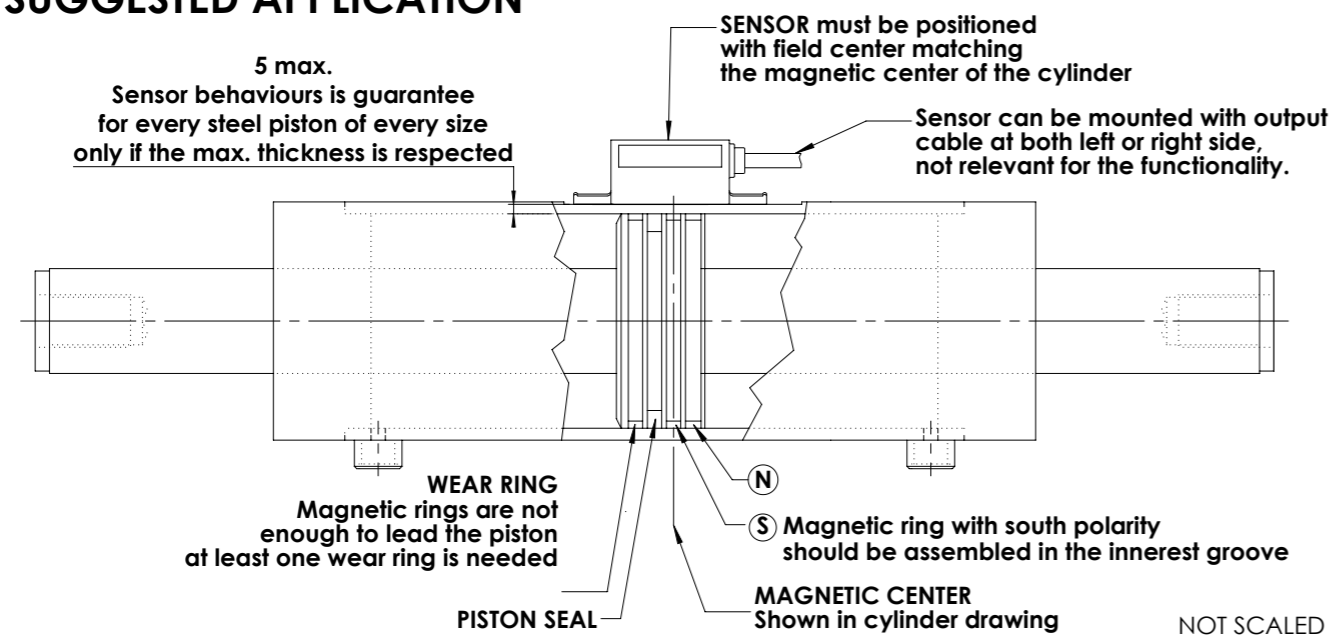
NEL DUBBIO, CHIEDERE!
IF YOU HAVE DOUBTS, ASK!

✉ engineering@ognibene.com

如有疑问，请务必确认！

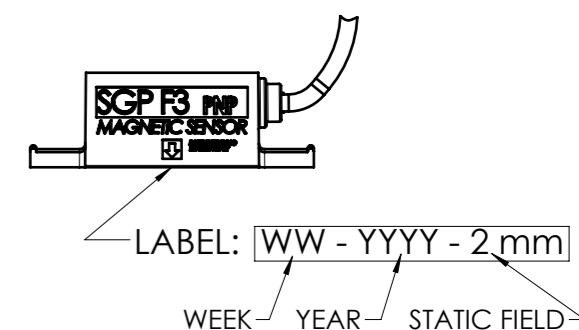


SUGGESTED APPLICATION



TECHNICAL DATA		
TEST	DATA	RESULTS
OPERATIVE TEST	8 V at 70° C 30 V at 70° C 30 V at 90° C	≥ 10 Cycles ≥ 10 Cycles ≥ 10 Cycles
REVERSE POLARITY	-24 V at 25° C	OK
SHORT CIRCUIT PROTECTED OUTPUT		OK
CURRENT ABSORBED Acc. to TEMPERATURE	-18° ÷ +80° C	< 200 mA
CURRENT ABSORBED Acc. to APPLIED TENSION	0 ÷ 30 V	< 250 mA
INDUCTIVE LOADS	800 mA CONTINUOUS 1000 mA PEAK	
PROTECTION CLASS	IP65	
COLOR CASE	RED	
OUT	PNP	
SUPPLY VOLTAGE	9 ÷ 30 V (MAX.)	
SWITCH OFF DELAY TIME	250÷350 ms	
OPERATIVE TEMPERATURE RANGE @ 800 mA LOAD = -30° ÷ +90° C		
STORAGE TEMPERATURE RANGE = -40° ÷ +100° C		
MAXIMUM PAINTING TEMPERATURE = +110° C for max 20 minutes		
PROTECTED AGAINST ESD AND FAST TRANSIENT		
REVERSE POLARITY PROTECTED		
<div style="display: flex; justify-content: space-between;"> <div style="border: 1px solid black; padding: 5px;"> CE ELECTROMAGNETIC COMPATIBILITY </div> <div style="font-size: small;"> - DMOS OUTLET PORT VERTICAL POWER - PROTECTED FROM OVERLOADING BY MEANS OF FLOW LIMITATION AND TEMPERATURE MEASURING - INTERDEPENDENT PROTECTION FROM RESET BY INLET SIGNAL - MOSFET POWER CHECK AND PROTECTION CIRCUITS POWER SUPPLY DRAWN FROM INPUT - ESD PROTECTION ON ALL PINS </div> </div>		

SENSOR MUST BE PROVIDED WITH A LABEL WITH THE INFORMATION AS SHOWN BELOW



13691	04	-	2014W52	Redrawn. No changes.	G.S.	S.D.
9589	03		09W43	MODIFIED NOTE OF SEAL AND WEAR RING GROOVE POSITION	V.L.	R.F.
7061	02		05W37	MODIFIED SWITCHING POINT POSITION	A.D.	R.F.
6616	01		05W06	MODIFIED TEXT ON SENSOR CASE AND TECHNICAL DATA	A.D.	R.F.
ECN	REV.	PLCS	DRW DATE	REVISION	SIGN. APPR.	

ognibene power	APPROVED	PROCESS	ENGRG	DESIGN	MATERIAL RELEASED TO:		MASS Kg
	R.F.		A.B.	M.CU.	MASS PRODUCTION		
DENOMINAZIONE							ENG.
SENSORE MAGNETICO FE PNP N.O.							OPW
DESCRIPTION							SHEET
MAGNETIC SENSOR FE PNP N.O.							1
ISO 128							OF
SCALE							1
SIZE							1
PART NUMBER							REV.
1:1 A3 483002065							04
ALL PROPERTY RIGHTS RESERVED BY OGNIBENE POWER spa 42124 REGGIO EMILIA (ITALY) TEL. +39 0522 502501 - ✉ engineering@ognibene.com							

METRIC mm 100