

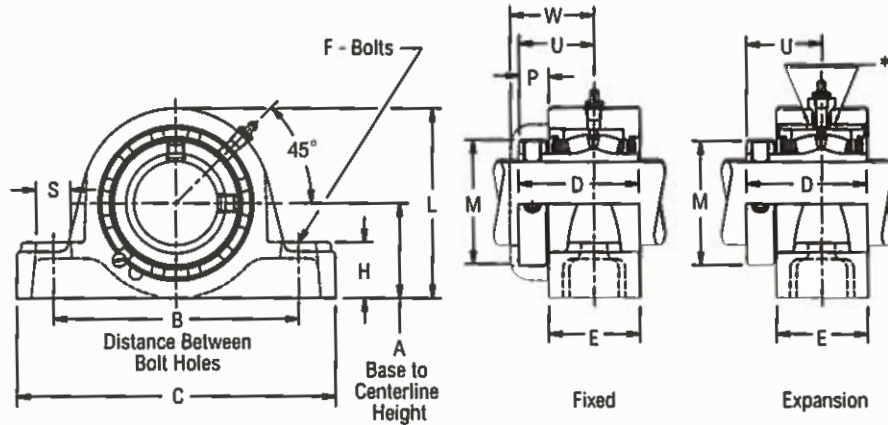
**PB22400, PEB22400**



Photo Shows a 2-Bolt Spherical Roller Bearing Pillow Block Unit

**Product Features**

- Corrosion-resistant powder coating
  - Cast iron housing
  - Misalignment capabilities - total of 4°
  - Broad range of sealing options
  - Factory set clearance & lubrication
  - Hardened spring locking collar
  - Field interchangeable seals
  - Fixed or Expansion - total of 3/8" expansion
- See Features & Benefits for additional info.



**Bearing Dimensions**

Size Code	Shaft Diameter	Expansion			Fixed			A Base to Centerline Height	B Distance Between Bolt Holes	C	D	E	F Bolts	H	M	P	U	W	Approx. Weight
		Part Number	L	S	Part Number	L	S												
B416	1	PEB22416H	3 3/16	3/8	PB22416H	3 1/8	5/8	1 3/16	4 3/8	5 13/16	2 9/16	2 7/16	3/8	7/8	1 3/4	17/32	1 9/16	1 29/32	5.00
	25.00	PEB224M25H	84.10	15.90	PB224M25H	79.40	15.90	39.67	111.10	150.80	65.09	52.40	10.00	22.20	44.40	13.50	39.70	48.40	2.10
B420	1 3/16	PEB22419H	3 5/8	5/8	PB22419H	3 1/2	5/8	1 3/4	4 3/4	6 5/16	2 11/16	2 3/16	3/8	1 1/16	1 31/32	17/32	1 5/8	1 31/32	6.00
	1 1/4	PEB22420H	30.00	15.90	PB22420H	88.90	15.90	44.45	120.60	160.30	68.26	55.60	10.00	27.00	50.00	13.50	41.30	50.00	2.90
B424	1 7/16	PEB22423H	3 7/8	7/8	PB22423H	3 11/16	13/16	1 7/8	5	6 9/16	2 7/8	2 1/4	1/2	1 3/16	2 5/16	21/32	1 25/32	2 3/16	7.00
	1 1/2	PEB22424H	35.00	22.22	PB22424H	93.70	20.60	47.62	127.00	166.69	73.02	57.20	12.00	30.20	58.70	16.70	45.20	55.60	3.20
B428	1 5/8	PEB22426H	4 3/8	7/8	PB22426H	4 1/4	13/16	2 1/8	5 1/2	7 1/8	3 1/8	2 1/2	1/2	1 5/16	2 19/32	21/32	1 29/32	2 1/4	10.00
	1 11/16	PEB22427H	40.00	22.22	PB22427H	108.00	20.60	53.98	139.70	180.98	79.38	63.50	12.00	33.30	65.90	16.70	48.40	57.20	4.70
B432	1 15/16	PEB22431H	4 9/16	15/16	PB22431H	4 8/16	15/16	2 1/4	6 1/4	8 1/8	3 1/8	2 1/2	5/8	1 3/8	2 7/8	21/32	1 29/32	2 9/32	12.00
	2	PEB22432H	45.00	23.80	PB22432H	115.90	23.80	57.15	158.80	206.38	79.38	63.50	16.00	34.90	73.00	16.70	48.40	57.90	5.50
B436	2 3/16	PEB22435H	50.00	23.80	PB22435H	115.90	23.80	57.15	158.80	206.38	79.38	63.50	16.00	34.90	73.00	16.70	48.40	57.90	5.20
	2 1/4	PEB22436H	55.00	23.80	PB22436H	127.00	23.80	63.50	171.40	219.08	84.14	65.10	16.00	41.30	82.60	19.80	52.40	61.90	6.50
B440	2 7/16	PEB22439H	5 1/2	15/16	PB22439H	127.00	23.80	63.50	171.40	219.08	84.14	65.10	16.00	41.30	82.60	19.80	52.40	61.90	6.50
	2 1/2	PEB22440H	60.00	23.80	PB22440H	139.70	23.80	69.85	181.00	231.78	88.90	68.30	16.00	41.30	90.50	21.40	55.60	65.10	8.00
B448	2 11/16	PEB22443H	6 7/16	1 1/16	PB22443H	139.70	23.80	69.85	181.00	231.78	88.90	68.30	16.00	41.30	90.50	21.40	55.60	65.10	8.00
	2 3/4	PEB22444H	65.00	27.00	PB22444H	163.50	27.00	82.55	206.40	265.10	101.60	81.00	20.00	57.20	103.20	21.40	61.90	70.60	13.00
B456	2 15/16	PEB22447H	70.00	27.00	PB22447H	163.50	27.00	82.55	206.40	265.10	101.60	81.00	20.00	57.20	103.20	21.40	61.90	70.60	13.00
	3	PEB22448H	75.00	27.00	PB22448H	163.50	27.00	82.55	206.40	265.10	101.60	81.00	20.00	57.20	103.20	21.40	61.90	70.60	12.50
B456	3 3/16	PEB22451H	190.50	41.30	PB22451H	190.50	41.30	95.25	254.00	330.20	111.12	87.30	24.00	57.20	124.60	23.80	67.50	76.20	19.60
	3 7/16	PEB22455H	80.00	41.30	PB22455H	190.50	41.30	95.25	254.00	330.20	111.12	87.30	24.00	57.20	124.60	23.80	67.50	76.20	19.60
B456	3 1/2	PEB22456H	85.00	41.30	PB22456H	190.50	41.30	95.25	254.00	330.20	111.12	87.30	24.00	57.20	124.60	23.80	67.50	76.20	19.10
	80.00	PEB224M80H	190.50	41.30	PB224M80H	190.50	41.30	95.25	254.00	330.20	111.12	87.30	24.00	57.20	124.60	23.80	67.50	76.20	19.60
	85.00	PEB224M85H			PB224M85H														19.10

Continued...