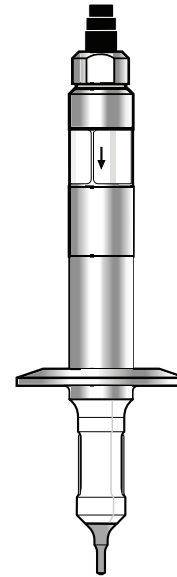


Sanitary Sensor 4113s

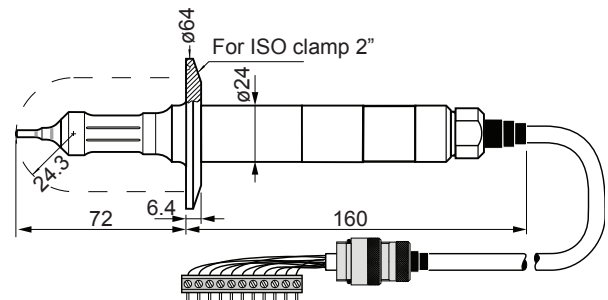
Pharmaceutical sanitary open type for ultrapure injection water

4-electrode conductivity sensor with external electrodes. Used with TCU series 3100 and 3300.

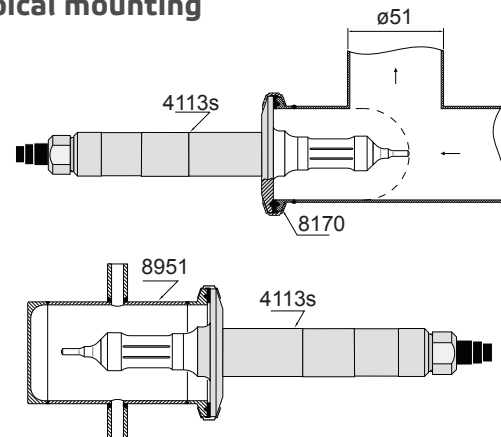
Technical data	
Materials	PTFE, silicone rubber and steel W 1.4404 (AISI 316L) Wet SS parts of sensor are polished according to the pharmaceutical standard, Ra < 0.80 µm.
Pressure	12 bar at 150 °C 1.0 ± 0.5 % (electrically adjusted) Calibrated in a Ø51 mm SS pipe.
Cell constant	Ø63 mm SS pipe gives an error of ~ -6 %. Ø63 mm plastic pipe gives an error of ~ 20-30 %.
Reproduceability	±2 %
Linearity	From 20000 to 0.2 µS/cm ± 2 % per decade. Below 5 µS/cm + 0.01 µS/cm.
Temp. sensor	Pt 1000 (IEC 751 class A)
Time delay	T ₉₀ , 9 sec.
Protection	IP65 splash-proof (DIN 40 050)
Sensor cable	PVC 12 x 0.25 mm ² standard length 3 m max. temp. 70 °C Sensor can optionally be mounted with 5 m of cable; measuring below 0.5 µS/cm with this cable length is not recommended.
Connection	11-pole strip connector with MF20 cable adapter
Weight	0.6 kg



dimensions in millimeters



Typical mounting



Mounting

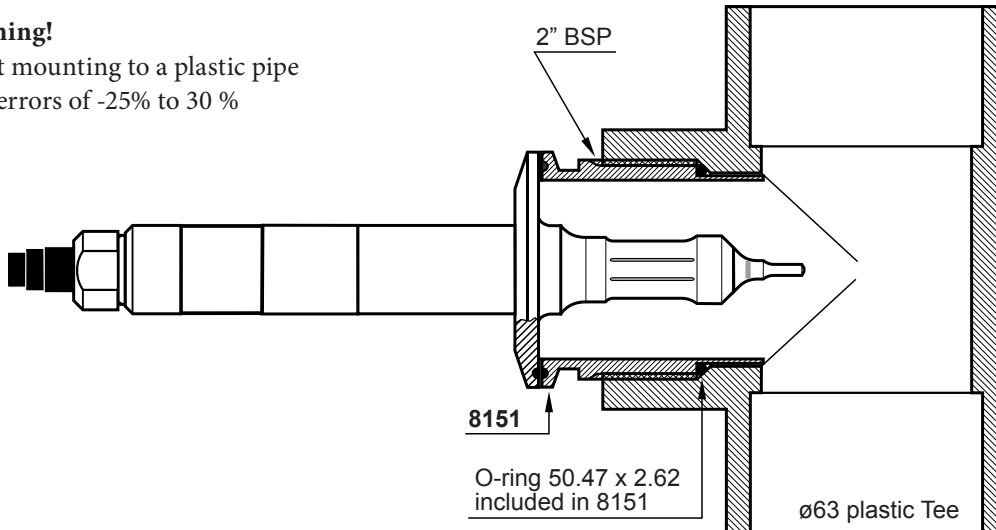
Sensor mounting with a 2" ISO 2852 clamp (not included). Keep a minimum distance of 24.3 mm to the surroundings.

On a horizontal pipe the sensor should be mounted to the side of the pipe, in a place where no air bubbles occur. Construct the piping in a self-draining manner.

Mounting with type 8151 stainless steel nipple in a 2" plastic Tee

Warning!

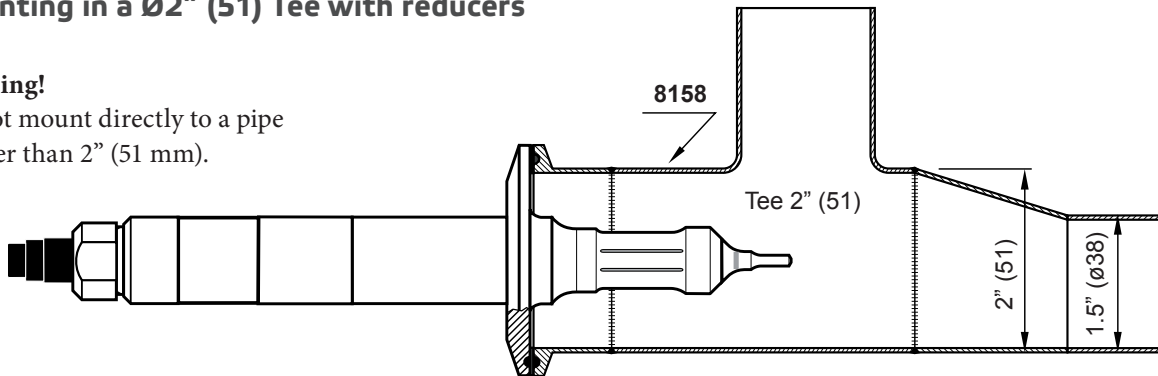
Direct mounting to a plastic pipe gives errors of -25% to 30 %



Mounting in a Ø2" (51) Tee with reducers

Warning!

Do not mount directly to a pipe smaller than 2" (51 mm).



Mounting with 8155 stainless nipple in a 63.5mm stainless Tee

Warning!

Direct mounting to pipes wider than 2" (51 mm) gives errors.

