



Welcome to **Nordan Marine A/S**

**Nordan Marine Replacement Pump** for type CG for:

- Hamworthy Pump
- Thune Eureka Pump
- Kværner Eureka Pump
- Wärtsilä Pump

**- The World's Best Alternative -**

**Nordan Marine** is a specialist supplier of EUREKA centrifugal replacement pumps and spare parts for Thune Eureka, Kværner Eureka, Hamworthy and Wärtsilä centrifugal pumps. With more than 30 years of experiences with these pumps, we know all the details, which ensure that our customers are guaranteed to receive the correct parts.

We work directly with manufactures and carry a large stock of common spare parts. Nordan Marines' spare parts are guaranteed against faults in material, workmanship for three month and for new complete pumps for one year.

In addition, we supply also spare parts for Desmi, Svanehøj, as well as spare parts for Cargo pump system and Safety Valve.

Our experienced service engineers travel around the world on 24 hours basis. They provide full range of services to Deepwell pump, Booster pump, Ballast pump and Safety Relief Valve for Gas Carriers such as LNG, LPG and LEG tankers, Chemical tankers and product tankers.

Our **objective** is to offer our customers the best services and solutions at very competitive prices, and to be first choice brand for total Cargo and Engine Room pumps' service solutions.

# Centrifugal Replacement Pump - Model CG

*Nordan Marine has extensive technical know-how and experience with Thune Eureka and Hamworthy pumps, after more than 30 years of experience in working with Thune-Eureka marine division, Tranby Norway, Kværner Eureka, Tranby Norway, Kværner Ships Equipment, Norway and Hamworthy Norway.*

**Nordan Marine's CG replacement pump** is designed for a long and reliable service life and constructed as single stage vertical centrifugal pump. The logical assembly and minimum assembly parts make both inspection and maintenance easy to carry out, because the pump are radically split and the complete rotating element can be dismantled independently of electric motor and piping connections.

Area of application: Transfer Bilge, Ballast, Cooling water, Fire and General Service.

## Features

- Radially split casing
- Robust and strong construction
- Very easy assembly and disassembly on site (maintenance on site)
- Rotating subassembly can be easily pulled out from the pump without removal of pump from pipeline or removal of motor, just by removing coupling spacer and 4 bolts
- Interchangeable parts (A/B/C/D/E)
- Variety of mounting possibilities
- Flanges can be acc to DIN (10/16), ASME, JS

## Accessories

The pump can be equipped with self-priming systems:

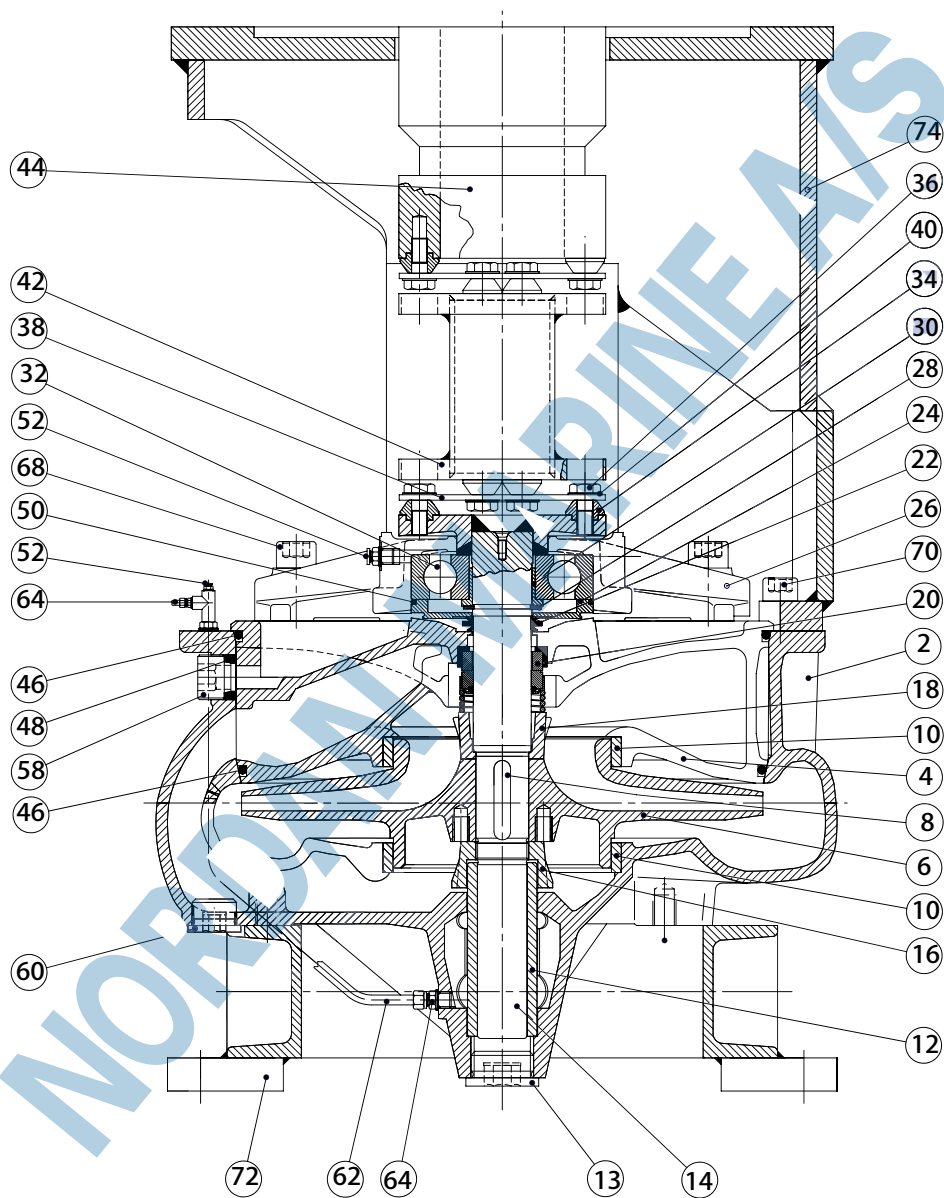
- Air driven ejector SUE 26
- Mechanically driven vacuum pump VK 20



The picture shows pump type CGA 50

# Nordan Marine - CG Pump

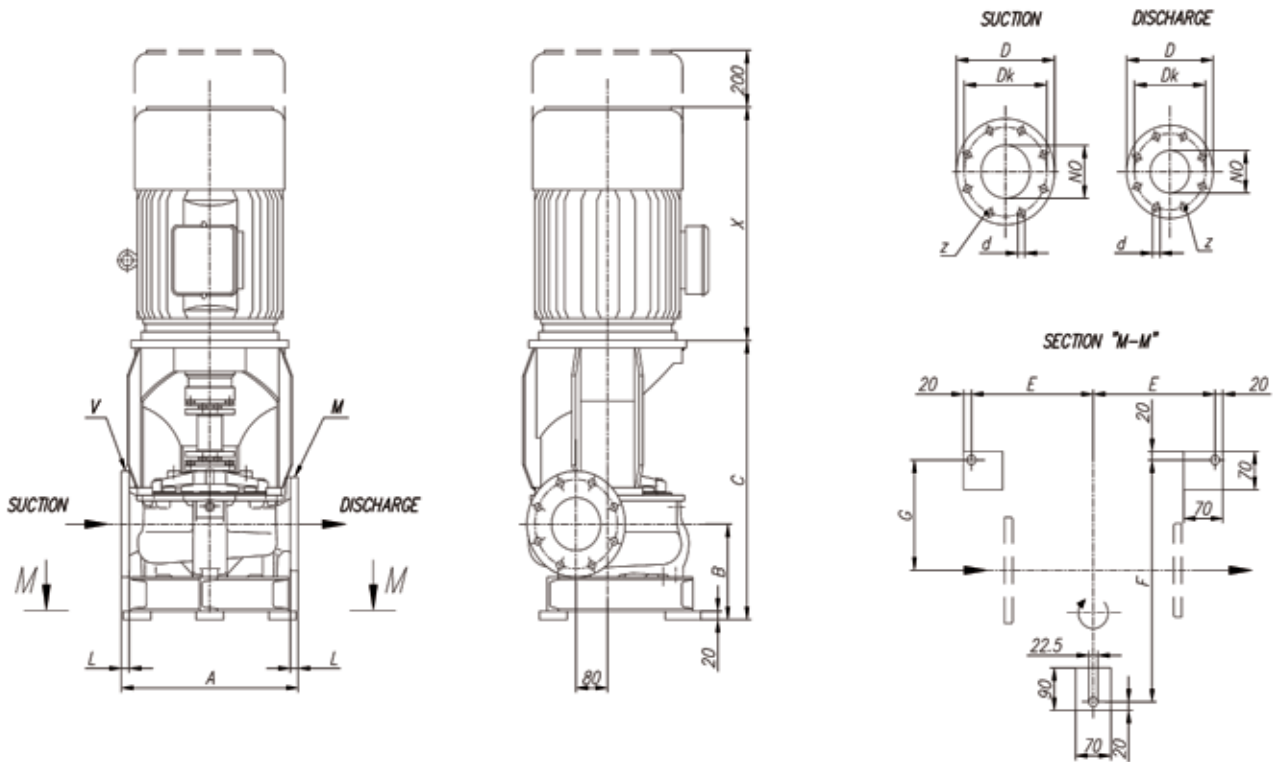
## CG Pump - Sectional Drawing



Pos.	Name	Pos.	Name	Pos.	Name	Pos.	Name
2	Pump Casing	18	Distance Ring	34	Bobbin	52	Lubricating Nipple
4	Pump Cover	20	Mechanical Seal	36	Coupling Bolt	58	Drain Plug
6	Impeller	22	Grease Seal	38	Coupling Disc	60	Drain Plug
8	Shaft Key	24	Bearing Cover	40	Coupling Lock	62	Lubricating Pipe
10	Wear Ring	25	Bolt	42	Propeller Shaft	64	Pipe Nipple
12	Bearing Bush	26	Bearing Casing	44	Motor Coupling	68	Lock Screw
13	Plug	28	Circlip	46	O-Ring	70	Socket Head Skrew
14	Pump Shaft	30	Bearing Sleeve	48	Seal	72	Pump Foot
16	Shaft Nut	32	Bearing	50	Seal	74	Mortor Pedestal

# Centrifugal Replacement Pump - Model CG

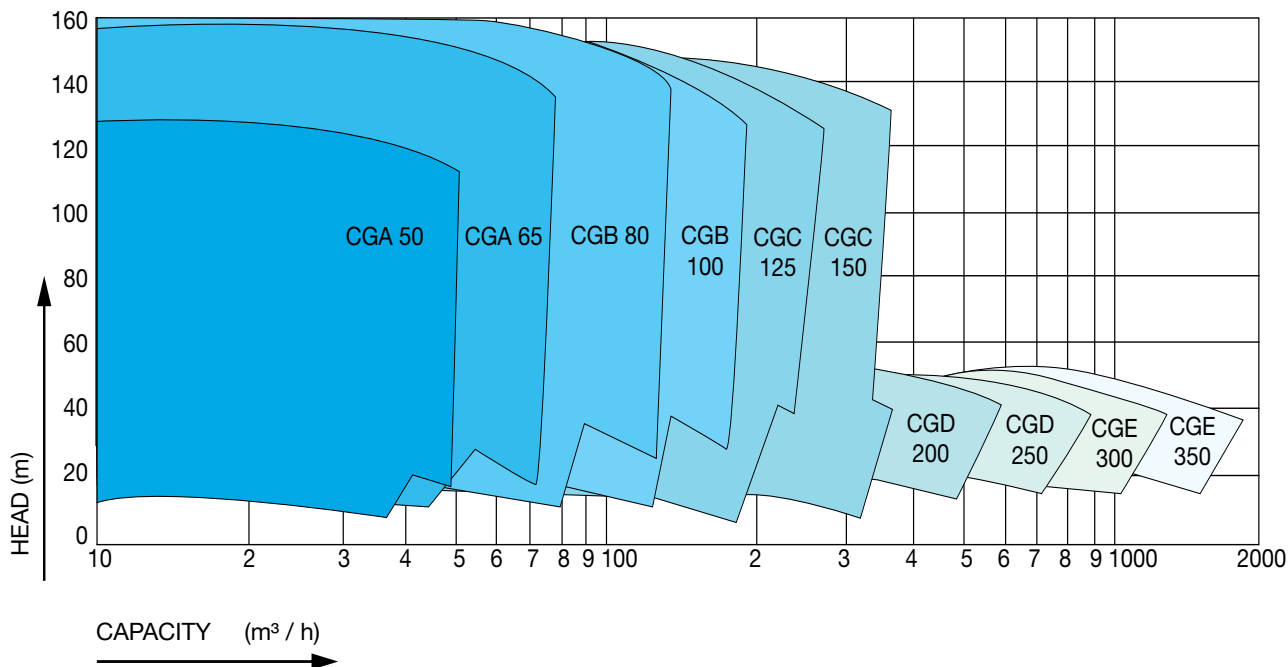
## CG Pump - Outline Dimensions



Pump Type	Flange dimensions acc. to DIN 2501 NP 10										Main Dimensions							Weight Kg	
	Discharge					Suction					L	A	B	C	E	F	G		K
	NO	D	Dk	d	z	NO	D	Dk	d	z									
CGA - 50	50	165	125	18	4	65	185	145	18	4	18	420	195	578	180	325	75	3/8"	110
CGA - 65	65	185	145	18	4	80	200	160	18	8	18	420	196	584	180	325	75	3/8"	120
CGB - 80	80	200	160	18	8	100	220	180	18	8	20	450	218	643	200	370	93	3/4"	130
CGB - 100	100	220	180	18	8	125	250	210	18	8	20	450	224	657	200	370	93	3/4"	145
CGC - 125	125	250	210	18	8	150	285	240	22	8	22	500	247	744	225	405	120	3/4"	165
CGC - 150	150	285	240	22	8	200	340	295	22	8	22	560	260	768	225	405	120	1"	185
CGD - 200	200	340	295	22	8	250	395	350	22	12	25	630	332	970	255	460	135	1 1/2"	215
CGD - 250	250	395	350	22	12	300	445	400	22	12	25	710	382	1020	255	460	135	2"	260
CGE - 300	300	445	400	22	12	350	505	460	22	16	28	800	490	1257	330	610	200	2"	320
CGE - 350	350	505	460	22	16	400	565	515	26	16	28	900	560	1327	330	610	200	2"	410

# Nordan Marine - CG Pump

## CG Pump - Capacity Curves



## Performance Data:

<b>Duty:</b>	Sea Water and Fresh Water
<b>Capacity:</b>	From 10 to 1500 m³/h
<b>Pump total head:</b>	From 10 to 140 m

## Pump Materials:

Duty	Sea Water	Fresh Water
Sealing:	Mechanical Seal	Mechanical Seal
Bearing:	Ball / Bush	Ball /Bush
Pump Casing:	Bronze	Cast Iron
Impeller:	Ni. Al. Bronze	Ni. Al. Bronze
Shaft:	Stainless Steel	Stainless Steel

## Product quality according to international standards:

Nordan Marine complete CG replacement pump can be supplied in accordance with the requirements from all leading marine classification societies such as BV, DNV, LRS, GL, RMRS, CRS and ABS.

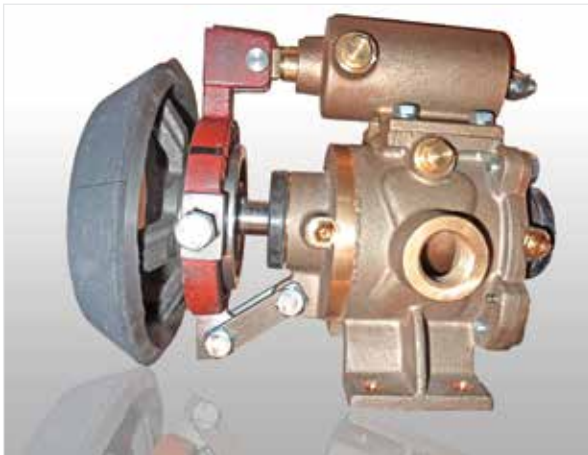
# Centrifugal Replacement Pump - Auxiliary Equipment



Bare Shaft Pump for pump type CGA 100

## CG Pump - Bare Shaft Pump

Nordan Marine supplies CG bare shaft pump, which is a complete CG pump without electric motor, pump foot, motor pedestal and transmission. Nordan Marine CG bare Shaft Pump can be applied to all Thune Eureka, Hamworthy and Wärtsilä centrifugal pumps type CGA 50/65, CGB 80/100, CGC 125/150, CGD 200/250 and CGE 300/350; and it can be delivered within short time.



Nordan Marine - VK 20

## Vacuum Pump

Vacuum pump VK20 is auxiliary blade pump intended for priming of suction pipeline and main centrifugal pump with working medium. Pump is driven by main pump via friction disc and it is intended for automatic independent operation. When main pump becomes flooded with working medium, VK 20 automatically mechanically disconnects from its drive. In case that main pump's delivery head drops, VK 20 again reconnects mechanically to the drive.



Nordan Marine - Self-priming SUEN

## Self-priming SUEN

Self-priming ejection unit type SUEN is used for automatic preliminary air evacuation from pump suction piping during centrifugal pump starting. For this purpose, the unit contains an air ejector. SUEN can be used for aggressive mediums and sea water since its flowing parts and nozzle is made out of polyamide.



## ***Contact us:***

### **Denmark**

Nordan Marine A/S  
Industrivej 11  
9900 Frederikshavn  
Denmark

Phone: +45 9840 2440 (24 hrs)  
Fax: +45 9840 2441

E-mail: [sales@nordanmarine.com](mailto:sales@nordanmarine.com)  
E-mail: [service@nordanmarine.com](mailto:service@nordanmarine.com)

**[www.nordanmarine.com](http://www.nordanmarine.com)**