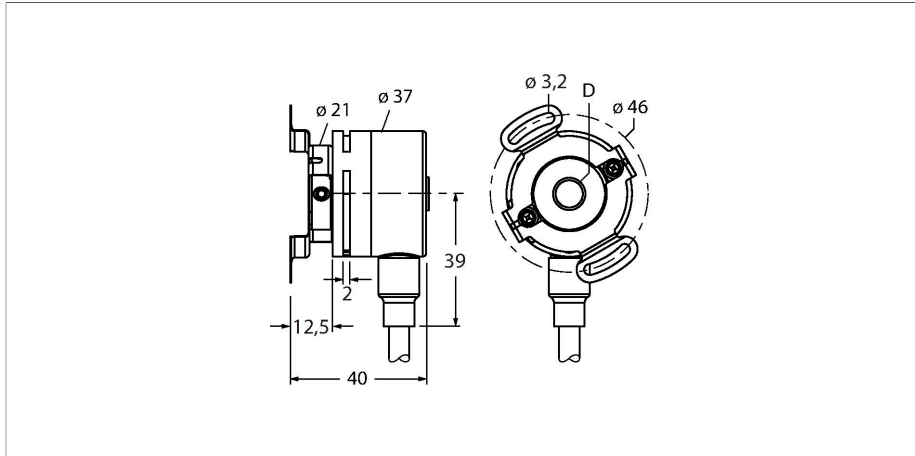


RI-09H8E-2F360-C

Incremental Encoder

Industrial Line



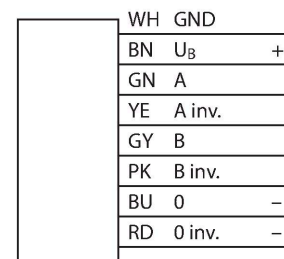
Features

- Flange with stator coupling, Ø 36.8 mm
- Hollow shaft, Ø 8 mm
- Optical measuring principle
- Shaft material: stainless steel
- Protection class IP65 on shaft side
- -20 ... +70 °C (supply voltage > 15 VDC: max. +55 °C)
- Max. 6000 rpm
- 5...30 VDC
- Cable connection, 8-pin
- Push-pull, with inversion
- Pulse frequency max. 250 kHz
- 360 pulses per revolution

Technical data

Type	RI-09H8E-2F360-C
Ident. no.	1544107
Measuring principle	Photoelectric
Max. Rotational Speed	6000 rpm
Moment of inertia of the rotor	1.4 x 10 ⁻⁶ kgm ²
Starting torque	< 0.01 Nm
Ambient temperature	-20...+70 °C
Operating voltage	5...30 VDC
No-load current	≤ 100 mA
Output current	≤ 20 mA
Short-circuit protection	yes
Output function	8-wire, Push-Pull/HTL, invertable
Output type	incremental
Resolution, incremental	360 ppr
Pulse frequency max.	250 kHz
Signal level high	min. U _B - 2 V
Signal level low	max. 0.5 V
Design	Hollow shaft
Flange type	Flange with stator coupling
Flange diameter	Ø 36.8 mm
Shaft Type	Hollow shaft
Shaft diameter D (mm)	8
Shaft material	Stainless steel
Housing material	Plastic
Electrical connection	Cable
	radial

Wiring diagram



Technical data

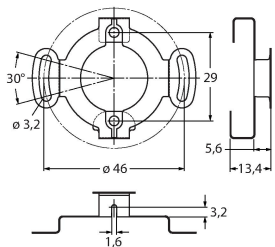
cable length	2 m
Axial shaft load	10 N
Radial shaft load	20 N
Vibration resistance (EN 60068-2-6)	100 m/s ² , 10...2000 Hz
Shock resistance (EN 60068-2-27)	1000 m/s ² , 6 ms
Protection class housing	IP67
Protection class shaft	IP65

Signal	Gnd	+U _e	A	A inv.	B	B inv.	0	0 inv.	Shield
Core color	WH	BN	GN	YE	GY	PK	BU	RD	-

Accessories

RME-3

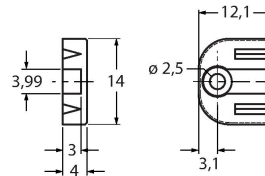
1544614



Stainless steel stator coupling for hollow shaft encoders, reference diameter 46 mm, for highly dynamic applications with axial and radial play

RME-13

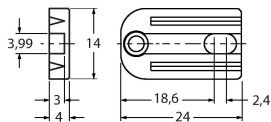
1544624



Plastic mounting element for hollow shaft encoders, pitch diameter 42 mm, for applications with limited axial play, low dynamics and limited mounting space

RME-14

1544625



Plastic mounting element for hollow shaft encoders, pitch diameters 44 mm, 60 mm, 63 mm, 65 mm, for low dynamic applications with high axial play.