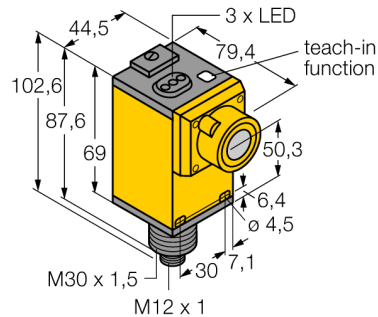
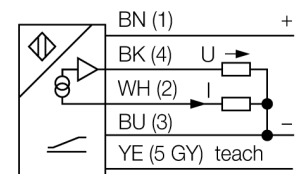


**ultrasonic sensor
diffuse mode sensor
Q45ULIU64BCRQ6**



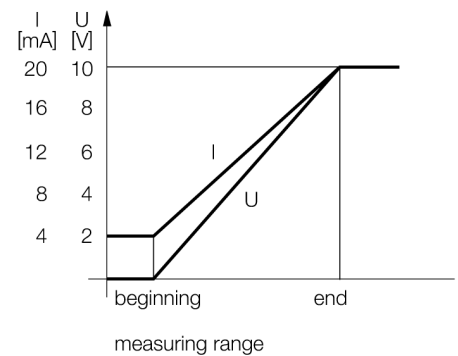
- **Blind zone: 25 cm**
- **Range: 300 cm**
- **Measuring range adjustable via teach button or control line**
- **Response time, adjustable**
- **Analog output can be used for voltage or current**
- **Teach-in function**
- **Convertible output curves**
- **Aperture angle of sonic cone 12 °**

Wiring Diagram



Functional principle

Ultrasonic sensors detect a multitude of objects contactless and wear-free with ultrasonic waves. Regardless of whether the object is transparent or opaque, metallic or non-metallic, liquid, solid or powdery. Even environmental conditions such as spray, dust or rain hardly affect their function.



Type designation	Q45ULIU64BCRQ6
Ident no.	3047558
Operating mode	Diffuse mode ultrasonic sensor
Range	250...300cm
Ultrasound frequency	120 kHz
Repeatability	≥ ± 1 mm
Operating voltage	12... 24VDC
Load resistance	≤ 500 Ω
Current output	4...20mA
Voltage output	0...10VDC
Short-circuit protection	yes/ cyclic
Reverse polarity protection	complete
Construction	rectangular, Q45
Radiation direction	straight
Dimensions	79.4 x 44.5 x 102.6 mm
Housing material	Plastic, PBT
Transducer material	Plastic, Epoxyd resin and PU foam
Electrical connection	Flange connector, M12 x 1
Protection class	IP67
Ambient temperature	-25...+70 °C
MTTF2	50 years
MTTF note	acc. to SN 29500 (Ed. 99) 40 °C
Approvals	CE
Object detected	LED, yellow

ultrasonic sensor
diffuse mode sensor
Q45ULIU64BCRQ6

TURCK

Industrial
Automation

Accessories

Type code	Ident no.	Description	
SMB30A	3032723	Mounting bracket, rectangular, stainless steel, for sensors with 30mm thread	
SMB30MM	3027162	Mounting bracket, rectangular, stainless steel, for sensors with 30 mm thread, wide holes for accurate alignment	
SMB30SC	3052521	Mounting bracket, PBT black, for sensors with 30 mm thread, rotatable	

Wiring accessories

Type code	Ident no.	Description	
RKC4.5T-2/TEL	6625016	Connection cable, female M12, straight, 5-pin, cable length: 2 m, sheath material: PVC, black; cULus approval; other cable lengths and qualities available, see www.turck.com	
WKC4.5T-2/TEL	6625028	Connection cable, female M12, angled, 5-pin, cable length: 2 m, sheath material: PVC, black; cULus approval; other cable lengths and qualities available, see www.turck.com	