



Features

It is a valve that modularizes the pilot check valve used for prevention of self-running of the actuator, position retention, etc.

Specifications

Maximum working pressure	25MPa
Maximum flow rate	500L/min
Weight	12.5kg

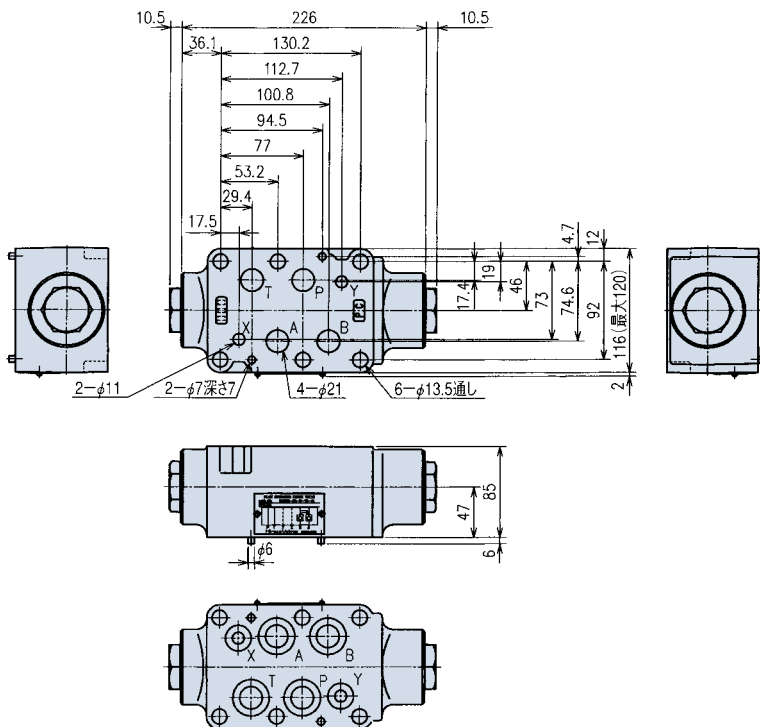


Construction of model number

FMPCD-06-※-※※-22

- | | | | | |
|----------------------------------|--------------------|------------------------------------------------------------|---------------------------------------------------|-----------------|
| 1 | 2 | 3 | 4 | 5 |
| 1 Modular type pilot check valve | 2 Nominal diameter | 3 Control port
W : A-B port
A : A port
B : B port | 4 Cracking pressure
20 : 0.2MPa
50 : 0.5MPa | 5 Design number |

Dimensions



JIS hydraulic diagram symbol

