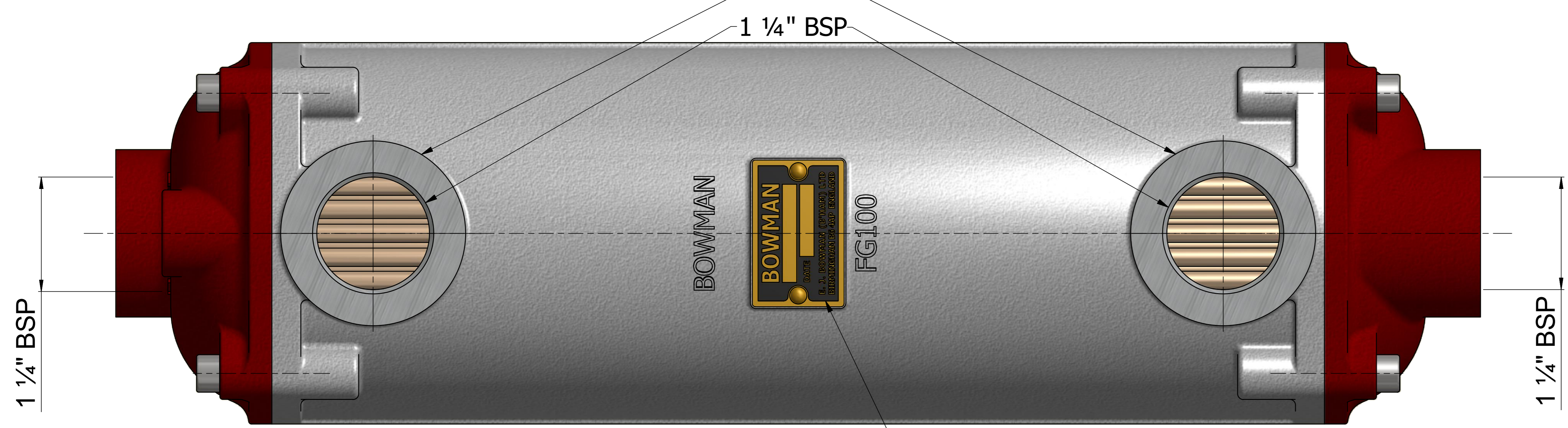
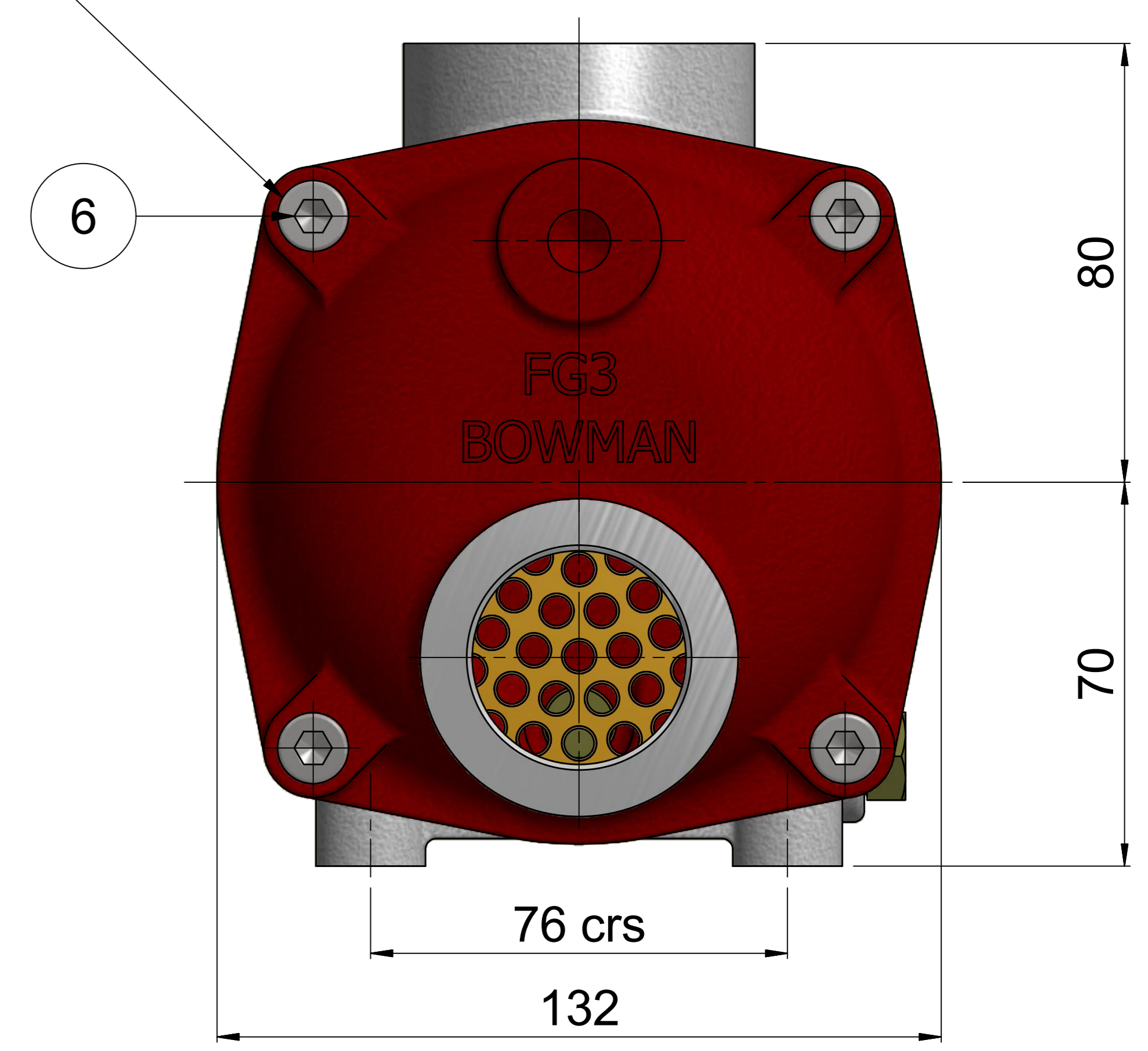


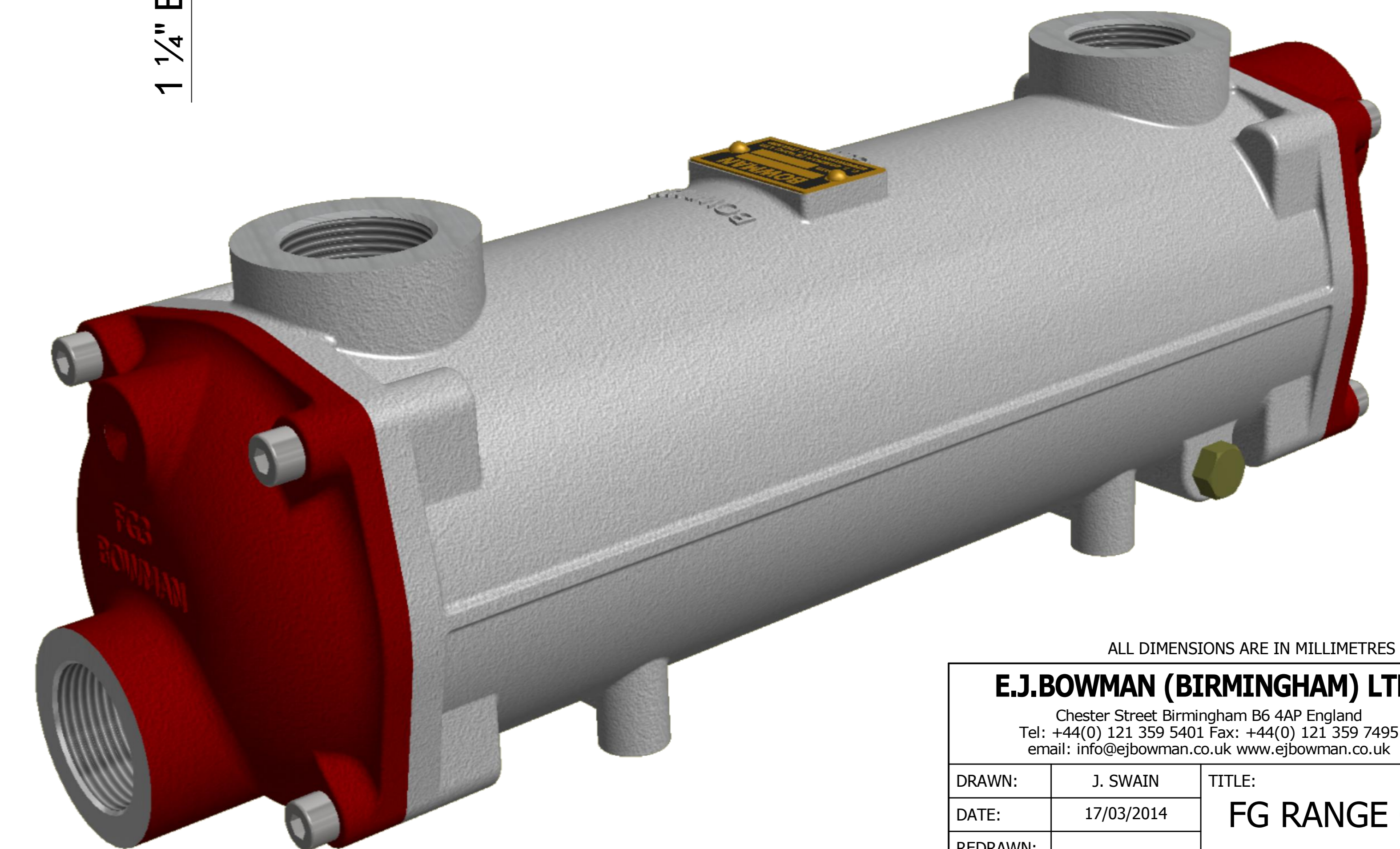
4 ~ Socket Screws M8 x 35mm Long Each End, Removal Of These Will Enable The End Cover And Tube Stack To Be Removed. Screw Tightening Torque - 22Nm



TYPE	'A'	'B'	'C'
FG080-1	374	196	92
FG100-2	472	294	190
FG120-3	600	422	318
FG140-4	746	568	464
FG160-5	924	746	642
FG200-7	1330	1152	1048

Part No.	Drg No.	Qty	Description	Item	Material
3594	3594	1	NAME PLATE	8	Br
915M	915	2	DRAIN PLUG - 1/4" BSP	7	MS
HS08X35	-	8	SOCKET SCREW - M8 x 35mm	6	MS
OS52NT	3297	2	'O' RING SEALS	5	NITRILE
FG003-1583CI-DR	1583CI	1	FG3 END COVER - 1 1/4" BSP - WITH DRAIN	4	CI
FG003-1583CI	1583CI	1	FG3 END COVER - 1 1/4" BSP - WITHOUT DRAIN	3	CI
1959-7TN1A	1659-7	1	TUBE STACK FG200 - NF	2	CN 90/10
1959-5TN1A	1659-5	1	TUBE STACK FG160 - NF	2	CN 90/10
1959-4TN1A	1659-4	1	TUBE STACK FG140 - NF	2	CN 90/10
1959-3TN1A	1659-3	1	TUBE STACK FG120 - NF	2	CN 90/10
1959-2TN1A	1659-2	1	TUBE STACK FG100 - NF	2	CN 90/10
1959-1TN1A	1659-1	1	TUBE STACK FG80 - NF	2	CN 90/10
FG020-1650-7AL	1650-7	1	FG20 BODY (FG200) - NF - 1 1/4" BSP	1	AL
FG016-1650-5AL	1650-5	1	FG16 BODY (FG160) - NF - 1 1/4" BSP	1	AL
FG014-1650-4AL	1650-4	1	FG14 BODY (FG140) - NF - 1 1/4" BSP	1	AL
FG012-1650-3AL	1650-3	1	FG12 BODY (FG120) - NF - 1 1/4" BSP	1	AL
FG010-1650-2AL	1650-2	1	FG10 BODY (FG100) - NF - 1 1/4" BSP	1	AL
FG008-1650-1AL	1650-1	1	FG8 BODY (FG80) - NF - 1 1/4" BSP	1	AL

NF - Normal Flow  
Refer To Works Order For Variations



For Revision History Refer To Chart Drawing '6000-0'

ALL DIMENSIONS ARE IN MILLIMETRES

**E.J.BOWMAN (BIRMINGHAM) LTD.**  
 Chester Street Birmingham B6 4AP England  
 Tel: +44(0) 121 359 5401 Fax: +44(0) 121 359 7495  
 email: info@ejbowman.co.uk www.ejbowman.co.uk

DRAWN:	J. SWAIN	TITLE:	FG RANGE OF HEAT EXCHANGERS
DATE:	17/03/2014	DRG No:	1427
REDRAWN:			
DATE:			
CHECKED:			
SCALE:	1.25:1		