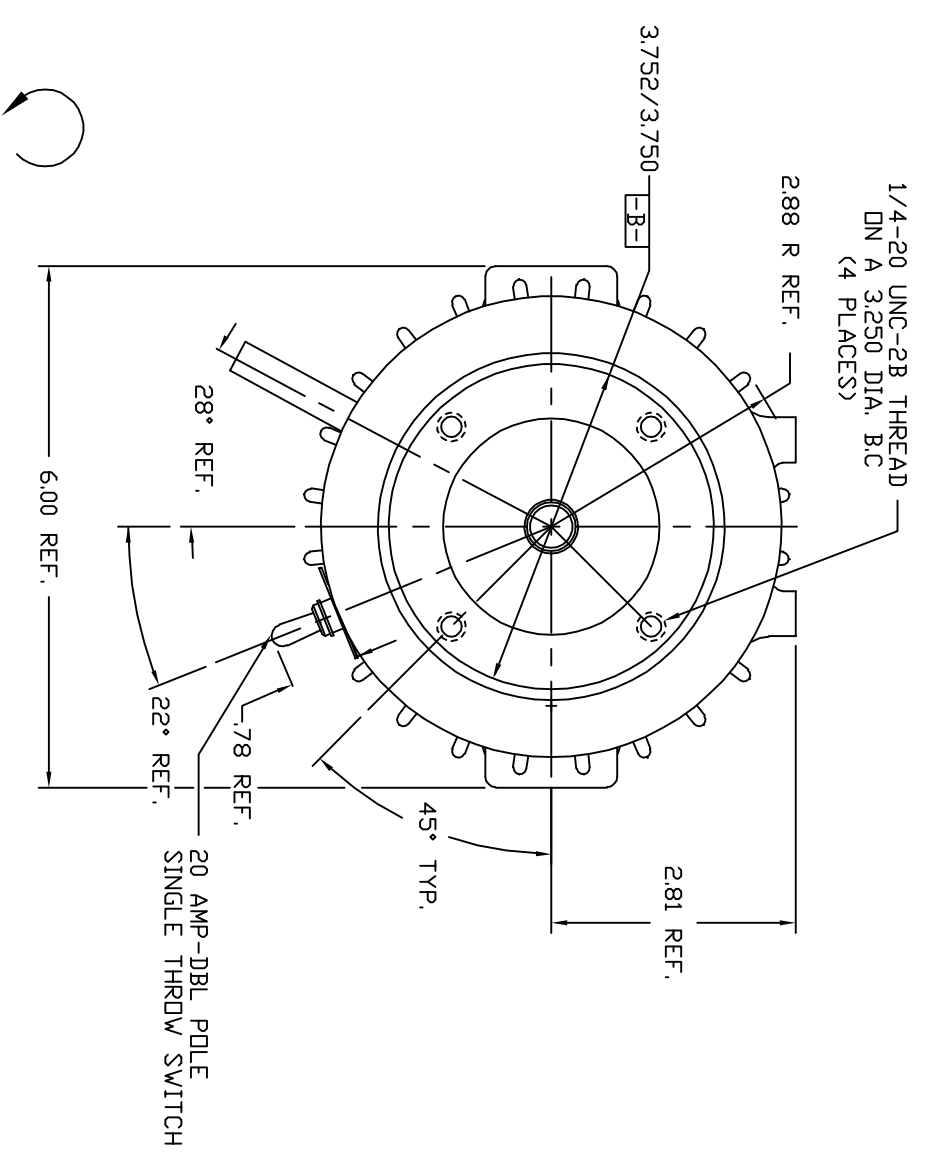
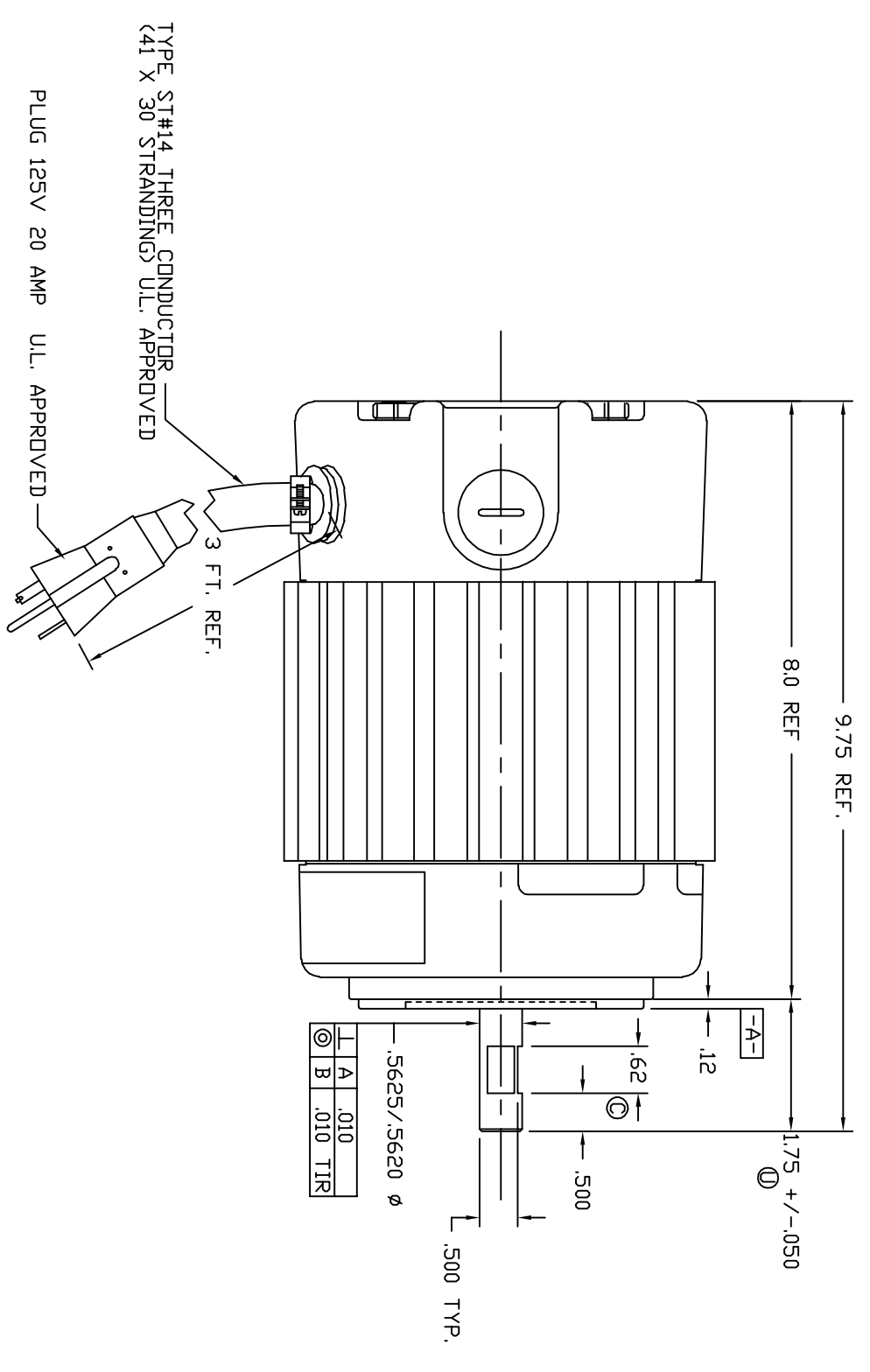


PART NO.  
3221-GEN



MODEL NO	LOAD	VOLTS AC	DC	AMPS	RPM CW	RPM CCW
3221-210	NO LOAD	X		7.1 MAX.		14,900 MIN.
3221-218	NO LOAD	X		3.4 MAX.		15,200 MIN.

(R) ROTATION VIEWING  
SHAFT END  
(R)

UNSPECIFIED TOLERANCES ALL DIMENSIONS ARE IN INCHES UNLESS OTHERWISE SPECIFIED DIMENSIONS ARE GIVEN UNLESS OTHERWISE SPECIFIED SURFACES ARE FINISHED UNLESS OTHERWISE SPECIFIED	<p>PART NO. 3221-GEN</p> <p>DUNMORE CORPORATION 1030 VETERANS ST. MAUSTON VT</p>
TITLE 350 JCX MOTOR	SCALE 1/2