



- A PART OF ADDTECH GROUP

DATA SHEET

Customer:	
Ref.:	
Order:	
Motor:	
Serial nr:	
Date:	15-01-2019

ASYNCHRONOUS MOTOR 4A 112M-4

Nameplate data:

Code: 112268

Type:	4A 112M-4			IP55	F/B	Amb. temp.: Max. 55°		
kW	Hz	V	A	Rpm	Cos	Eff.	Duty	IE.class
4,50	60	440 Δ	8,55	1722	0,82	84,2%	S1	IE1-(Eff2)

Description:

Mounting form:	B3/B5
Bearing DE:	6306-2Z/C3
Bearing NDE:	6306-2Z/C3
Weight - Kg.:	29
Heater:	No Heater
PTC:	No PTC
Kgm ² :	0,0095
Sound press.-db(A):	57,0

Other:

Test data S1-duty, Amb.temp 40°C:

Voltage - V:	440
Frequency - Hz:	60
Power - kW:	4,08
Full load speed - Rpm:	1722
Full load current - A:	7,75
Full load power factor - Cos:	0,82
Locked rotor current - A:	64,4
Locked rotor factor - A_{st}/A_n :	8,3

Efficiency 100% load - %:	84,2%
Efficiency 75% load - %:	
Efficiency 50% load - %:	
Full load torque - Nm:	22,6
Locked rotor torque - Nm:	67,4
Locked rotor torque - Nm_{st}/Nm_n :	3,0
Max. Pull out torque - Nm:	67,4
Max. Pull out torque. - Nm_{st}/Nm_n :	3,0

Over load/speed test	kW	Hz	V	A	Rpm
Over load 160% - 15sec.	6,40	50	400	13,38	1435
Over speed 125% - 2 min.	4	63	400	8,36	1794
H-Pot test voltage: 1800V			Temp. rise in stator:		

The motor is produced in accordance with following harmonized standards:

IEC60034-1, IEC60034-2, IEC60034-5, IEC60034-6, IEC60034-7, IEC60034-8, IEC60034-9
IEC60034-12, IEC60034-14, IEC60034-30, IEC60072.

Additional specifications in accordance with:

RINA - GL - LRS - BV - DNV - ABS - KR - RR - CCS - CCC - RMRS.

Bevi Group:

BEVI AB, Sweden	www.bevi.se	sales@bevi.se	+46 499 271 00
BEVI A/S, Denmark	www.bevi.dk	bevi@bevi.dk	+45 39 67 36 05
BEVI Norge A/S, Norway	www.bevi.no	info@bevi.no	+47 22 07 66 50
BEVI Finland OY AB, Finland	www.bevi.fi	info@bevi.fi	+358 9 2709 1210
BEVI UAB, Lithuania	www.bevi.lt	info@bevi.lt	+370 5 2611 112
BEVI CHINA, China	www.bevi.cn	sales@bevi.cn	+86 21 5032 5200

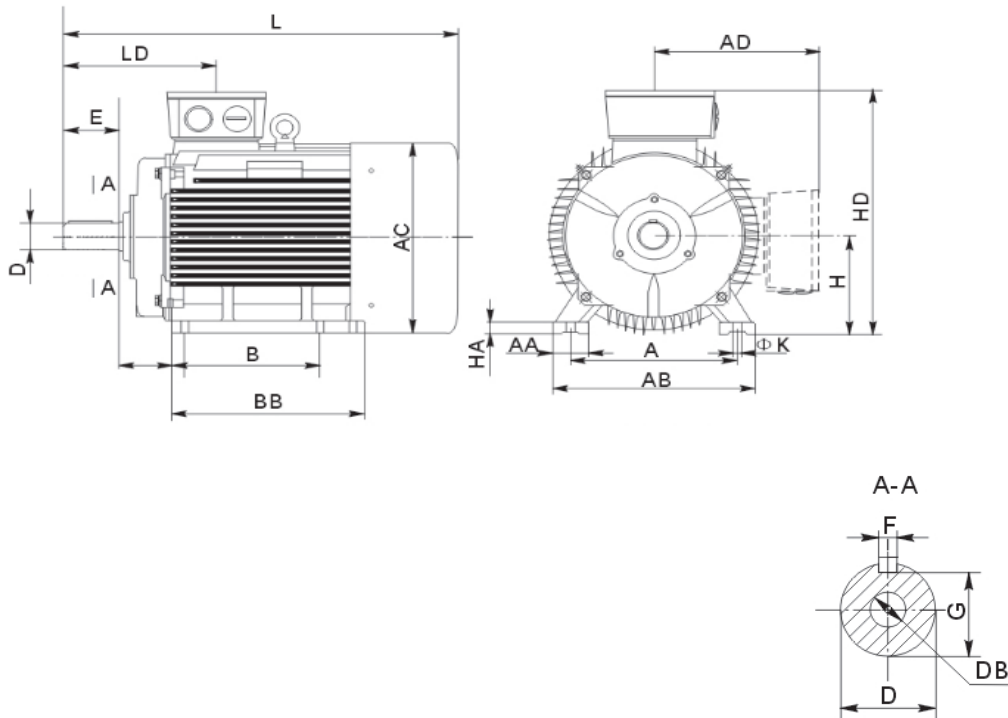


- A PART OF ADDTECH GROUP

DATA SHEET

Customer:	
Ref.:	
Order:	
Motor:	
Serial nr:	
Date:	15-01-2019

Foot mounted motor 4A 112M-4 B3



A: 190	HD: 290	E: 60
B: 140	C: 70	D: 28
AB: 230	H: 112	G: 24
AC: 240	K: 12	DB: M10
AD: 178	L: 400	F: 8
LD: 147	L (V1): 450	

Bevi Group:

BEVI AB, Sweden
 BEVI A/S, Denmark
 BEVI Norge A/S, Norway
 BEVI Finland OY AB, Finland
 BEVI UAB, Lithuania
 BEVI CHINA, China

www.bevi.se
 www.bevi.dk
 www.bevi.no
 www.bevi.fi
 www.bevi.lt
 www.bevi.cn

sales@bevi.se
 bevi@bevi.dk
 info@bevi.no
 info@bevi.fi
 info@bevi.lt
 sales@bevi.cn

+46 499 271 00
 +45 39 67 36 05
 +47 22 07 66 50
 +358 9 2709 1210
 +370 5 2611 112
 +86 21 5032 5200

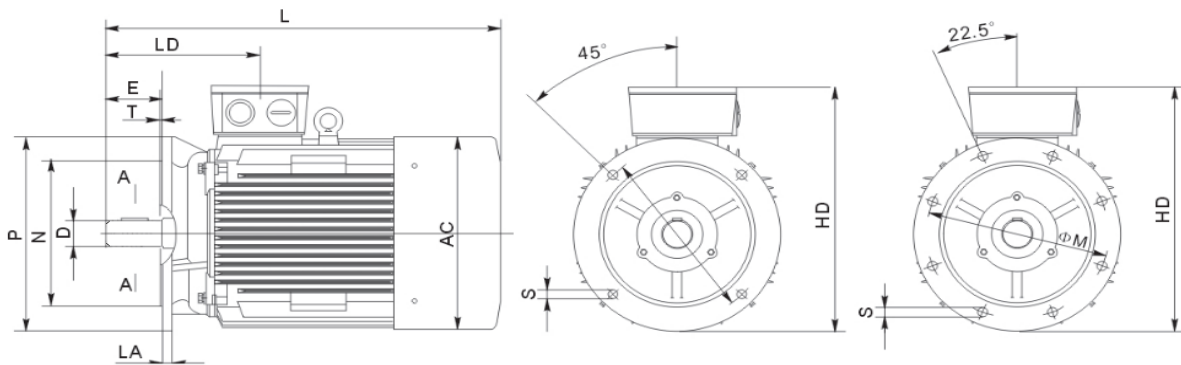


- A PART OF ADDTECH GROUP

DATA SHEET

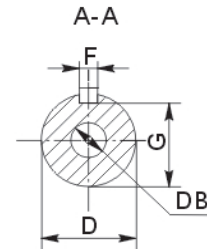
Customer:	
Ref.:	
Order:	
Motor:	
Serial nr:	
Date:	15-01-2019

Flange mounted motor 4A 112M-4 B5



IEC 56-200

IEC 225-400



M: 215	HD: 290	E: 60
N: 180	L: 400	D: 28
P: 250	L (V1): 450	G: 24
S: 15	LD: 147	DB: M10
		F: 8

Bevi Group:

BEVI AB, Sweden
 BEVI A/S, Denmark
 BEVI Norge A/S, Norway
 BEVI Finland OY AB, Finland
 BEVI UAB, Lithuania
 BEVI CHINA, China

www.bevi.se
 www.bevi.dk
 www.bevi.no
 www.bevi.fi
 www.bevi.lt
 www.bevi.cn

sales@bevi.se
 bevi@bevi.dk
 info@bevi.no
 info@bevi.fi
 info@bevi.lt
 sales@bevi.cn

+46 499 271 00
 +45 39 67 36 05
 +47 22 07 66 50
 +358 9 2709 1210
 +370 5 2611 112
 +86 21 5032 5200

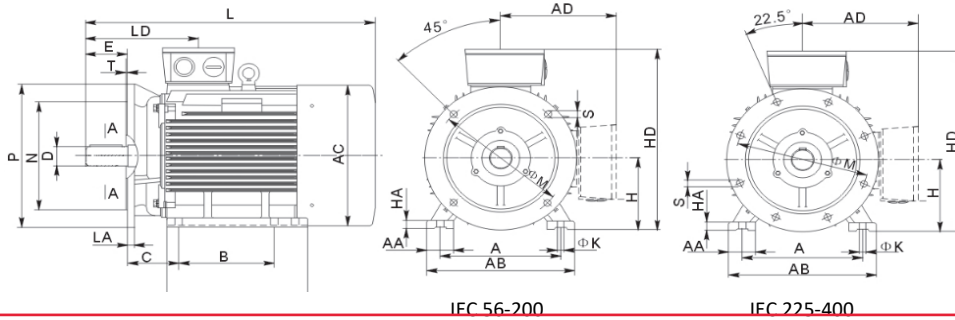


- A PART OF ADDTECH GROUP

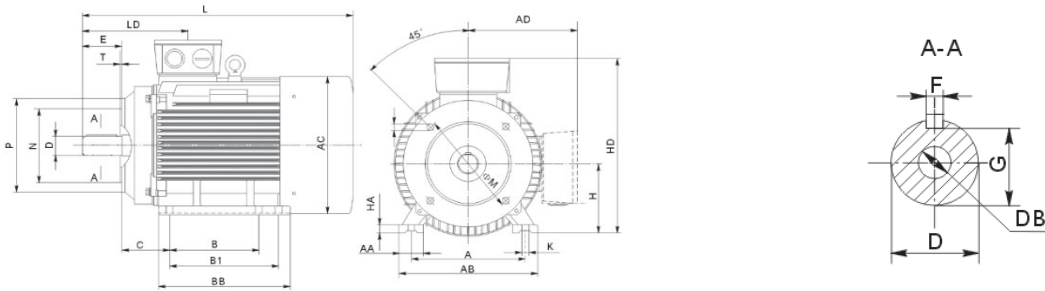
DATA SHEET

Customer:	
Ref.:	
Order:	
Motor:	
Serial nr:	
Date:	15-01-2019

Foot & flange mounted motor 4A 112M-4 B3/B5



4A 112M-4 B14A + (B14B)



Flange type: B5

M: 215
N: 180
P: 250
S: 15

A: 190
B: 140
AB: 230
AC: 240
AD: 178
LD: 147

B14A

M: 130
N: 110
P: 160
S: M8

HD: 290
C: 70
H: 112
K: 12
L: 400
L (V1): 450

(B14B)

M: 165
N: 130
P: 200
S: M10

E: 60
D: 28
G: 24
DB: M10
F: 8

Bevi Group:

BEVI AB, Sweden
BEVI A/S, Denmark
BEVI Norge A/S, Norway
BEVI Finland OY AB, Finland
BEVI UAB, Lithuania
BEVI CHINA, China

www.bevi.se
www.bevi.dk
www.bevi.no
www.bevi.fi
www.bevi.lt
www.bevi.cn

sales@bevi.se
bevi@bevi.dk
info@bevi.no
info@bevi.fi
info@bevi.lt
sales@bevi.cn

+46 499 271 00
+45 39 67 36 05
+47 22 07 66 50
+358 9 2709 1210
+370 5 2611 112
+86 21 5032 5200