

# DIMENSIONS AND TECHNICAL DETAILS APL210N SWITCHBOX

## Description:

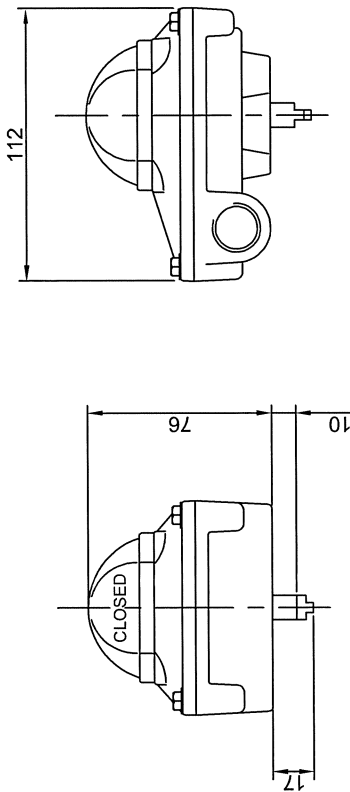
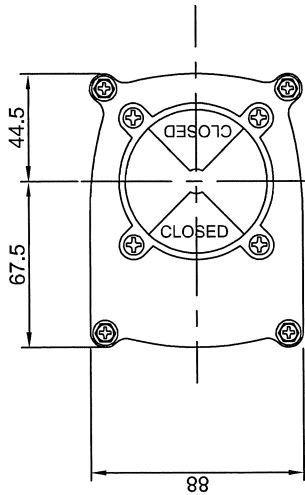
Powder Coated Aluminium Switchbox to IP67 fitted with 2 x SPDT switches for indication of fully open and fully closed positions. Solid and compact design with high visibility beacon indicator. Captive cover bolts are safely retained during installation and maintenance. The spring loaded splined cams are easily adjustable with no tools required. Dual cable entries are provided. The switchbox is mounted to the actuator using a NAMUR standard stainless steel mounting bracket.

## Standard Specification:

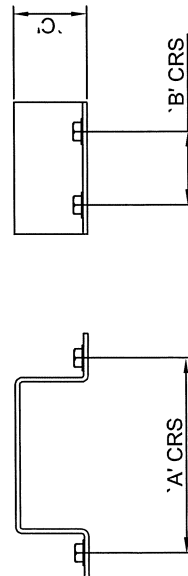
Enclosure Material : Die Cast Aluminium  
 Enclosure Rating : IP67  
 Enclosure Finish : Polyester powder coating (Black)  
 Shaft Material : Stainless Steel  
 Cable Entries : 2 x M20 (Options PG13.5 & 1/2"NPT)  
 Limit Switch Type : 2 x SPDT, Mechanical  
 Voltage/Amps : 250V AC/16A, 125V AC/16A, 250VDC/0.3A, 125VDC/0.6A, 30VDC/10A  
 Ambient Temperature : -20° to +80° C

## Options:

Enclosure Rating : IP68  
 Enclosure Finish : Various colours  
 Proximity sensors : See Data Sheets: 2.11.1 & 2.12.1  
 Beacon Indicator : 3 Way Indication



Mounting Bracket



Bracket	A	B	C	Application
MBP-100	80	30	30	80 x 30 x 20
MBP-200	80	30	40	80 x 30 x 30
MBP-300	130	30	40	130 x 30 x 30
MBP-400	130	30	60	130 x 30 x 50

