

310F2

Medium pressure stainless steel filters “serie 10”, suitable for compressed air, gas and liquid



FEATURES

Filter for inlet pressure up to 50 bar (725 psi) in the standard version.

Inlet and outlet standard connections:

3/4"-F;

1"-F;

Conessioni a richiesta:

1"1/4-F;

1"1/2-F

e versioni NPT

made by flanges screwed to the body.

Connections with EN or ASME flanges available on request.

Standars filtration rate: 50 µm

On request filtration rate: 5µm, or coalescing (0.01 µm/99.99%).

Compressed air condensation drain:

SAI (automatic) up to 16 bar

SM (manual drain) up to 30 bar

CAP (no drain) higher pressure

Available the ATEX 2014/34/EU version.

Brand CE Ex II2GcIICTX

CE Ex II2DcIICTX.

For use in potentially explosive atmospheres zones: 1, 21, 2, 22 (not for mines and zone 0).

The product complies with the directive 2014/68/EU PED.

Available units composed of:

Filter + Regulator + Lubricator.

SPECIFICATIONS

Filter weight: ~5,2 kg (~114,64lb)

Operating temperature: -20°C ÷ +80°C (-4°F ÷ 176°F)

Bowl capacity: 500 cc (17 fluid ounce)

Automatic drain SAI: the condensate is drained before it reaches the filter cartridge.

Semi-automatic drain SS: the condensate is drained each time pressure is removed from the system.

Manual drain SM: the condensate is drained by the operator by means of a screw on the bottom of the cup.

MATERIALS

Body: stainless steel AISI 316L

Bowl: stainless steel AISI 316L

Filter cartridge: stainless steel AISI 316L

O-Rings: FPM (other compounds available on request)

Automatic drain SAI: ottone + PUR

Semi-automatic drain SS: PA 6

Manual drain SM: ottone

ACCESSORIES

Wall mounting bracket kit

SPARE PARTS

Replacement kit including filter cartridges and O-Ring available on request

generating the product code

Filtro serie 10 AISI 316L			
AA BB CC D EE F GG			
AA	Attacchi / Connections	Q0	G 3/4-F
		R0	G 1-F
BB	Pressione d'ingresso / Inlet pressure	D0	PS 30 bar
		E0	PS 50 bar
		H1	PS 16 bar
CC	Tipologia di fluido / Fluid type	15	O2
		18	EPDM x liquidi
		19	FPM x liquidi
		98	EPDM
		99	FPM
D	Filtrante / Filter	C	5µm
		H	50µm
		J	99,99% Coalescente
EE	Tazza + scarico / Bowl + drain	19	SAI
		20	SM
		21	Tappo
F	Marchiato / Marked	I	ID
		Z	Dir ATEX 2014/34/EU
GG	Accessori/Accessories	00	Nessun accessorio

CODE COMPOSITION EXAMPLE

310F2# R0 E0 99 H 21 I 00

310F2#: Filter serie 10 AISI 316L

R0: Connection G1-F

E0: Inlet pressure up to 50 bar

99: O-rings in FPM

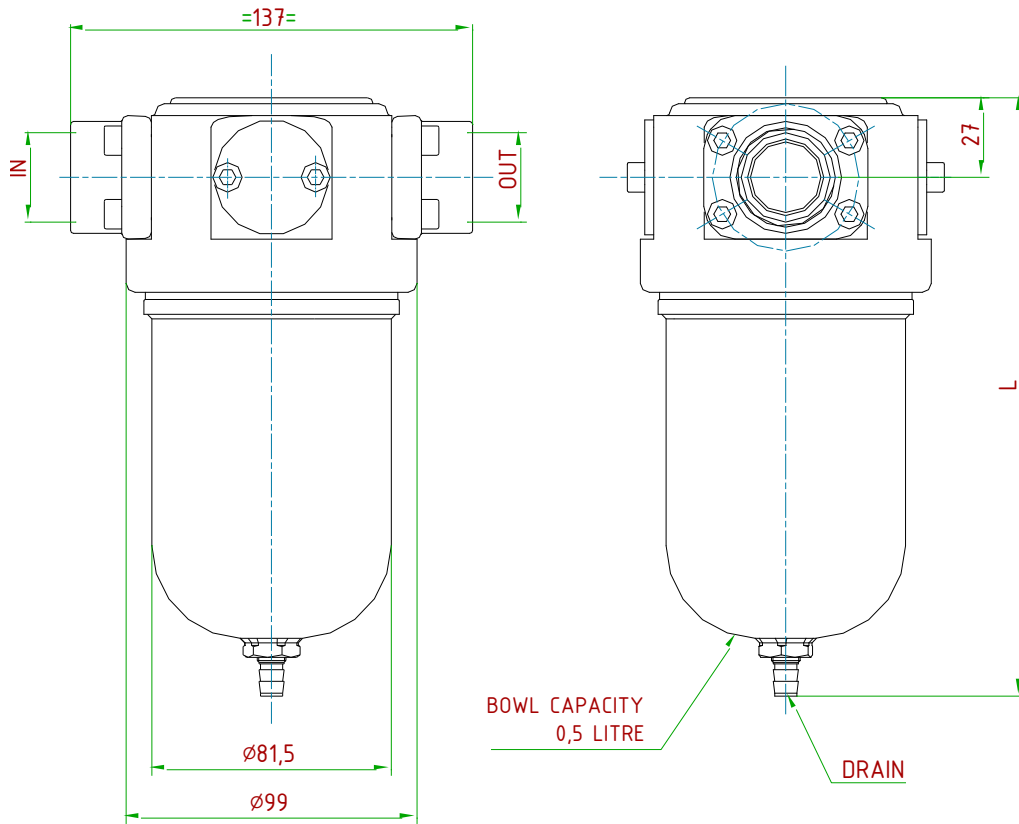
H: Filtration 50 µm

21: hexagonal CAP

I: ID

00: No accessories

technical drawings (all dimensions in mm)



GAS FILTRATION	
CARTRIDGE	MATERIAL
5 µm	AISI 316L
50 µm	AISI 316L
0,01 µm 99,99% coalescing	/

TYPE	IN/OUT	FLANGE
310F2 G1	G1-F	P37083
310F2 G3/4	G3/4-F	P37085
310F2 1"NPT	1"NPT-F	P37084
310F2 3/4"NPT	3/4"NPT-F	P37086

DRAIN	PS [bar]	L [mm]
AUTOMATIC	16	~203
MANUAL	30	~196
CAP	50	~194

