

# MAXCESS

MAGPOWR



TIDLAND

Air shafts cannot be inserted into rolls with even with the slightest deformation, leaving damaged rolls useless. Standard models re-open 70 mm (2-3/4 inch) to 76 mm (3 inch) ID cores without any special training. The Roll Saver provides a return on your investment with its first use as the cost is comparable to that of a damaged roll, creating a positive impact on profit margins and warehouse space.



The Mark I Roll Saver (in photo, top) can be used to reopen crushed cores up to 1.8 m (70 inches) in diameter. Multi-core size adapters are also available for 102, 127, and 152 mm (4, 5, and 6 inch) ID cores, which are capable of repairing rolls up to 3.56 m (140 inches) in diameter.

At less than 20 pounds, the lightweight Mark II Roll Saver (in photo, bottom) is fully portable and easily re-opens crushed cores up to 1,143 mm (45 inches) in diameter.

## GENERAL SPECIFICATIONS

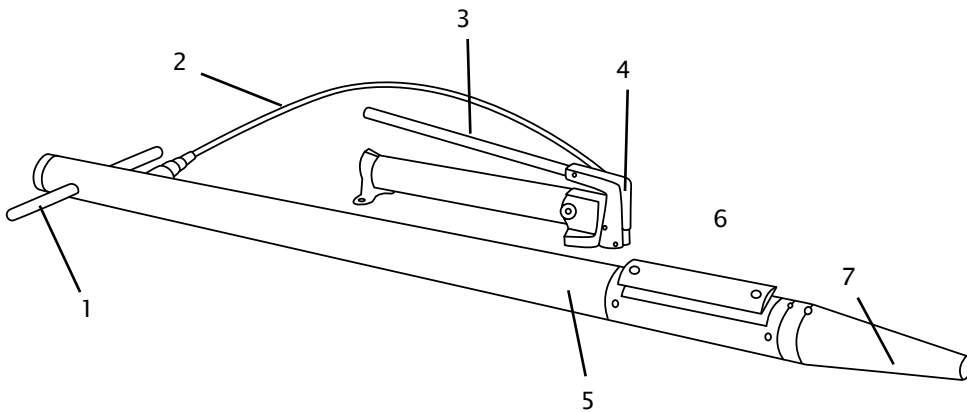
	MARK I ROLL SAVER		MARK II ROLL SAVER	
	70 mm to 76 mm	2-3/4 inches to 3 inches	70 mm to 76 mm	2-3/4 inches to 3 inches
Core ID	70 mm to 76 mm	2-3/4 inches to 3 inches	70 mm to 76 mm	2-3/4 inches to 3 inches
Penetration	915 mm	36 inches	250 mm	10 inches
Weight (body only)	17 kg	37 lbs	N/A	N/A
Weight (with pump)	26 kg	57 lbs	9 kg	19 lbs
Hydraulic Pressure	700 bar	10,150 psi	621 bar	9,000 psi
For Roll Diameters up to	1.8 m	70 inches	1,025 mm diameter, 902 mm width	45 inch diameter, 36 inch width
Expansion	Approximately 1/4 inch above nominal core			

## KEY FEATURES

- Two models deliver up to 700 bar (10,150 psi) to re-open even the most damaged cores up to 1.8 m (70 inches) in diameter
- Standard models fit 70 mm (2-3/4 inch) to 76 mm (3 inch) cores
- Adapters available (Mark I only) for 102, 127, and 152 mm (4, 5, and 6 inch) ID cores
- Return on investment can be achieved with first salvaged roll
- Durable construction for reliable, long-lasting operation
- Lightweight, easy to use design provides fast results without any special training

# TIDLAND ROLL SAVERS

## DESIGN FEATURES

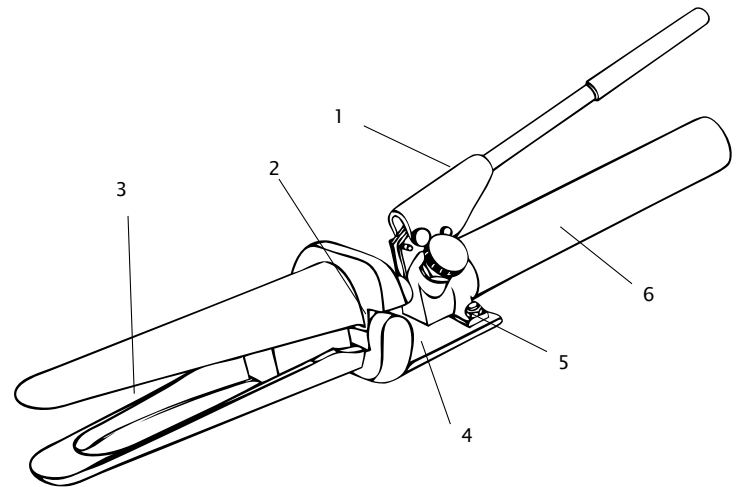


### MARK I ROLL SAVER

1. Roll Saver Handle
2. Hydraulic Hose
3. Pump Handle
4. Hydraulic Pump
5. Body
- 6 Pressure Plate (Expanding Leaf)
7. Nose Piece

### MARK II ROLL SAVER

1. Roll Saver Handle
2. Relief Valve
3. Cast Steel Jaws
4. Base Plate
5. Hydraulic Connector
6. Hydraulic Pump



The Mark I Roll Saver is inserted with the pressure plate against the core crush area.



The hydraulic pump is operated to manually recondition the core.

## OPTIONS

Mark I Roll Saver: A choice for optional adapters is available for the following ID cores:

- 102 mm (4 inches) - 5 kg (10 lbs) P/N 700026
- 127 mm (5 inches) - 8 kg (18 lbs) P/N 700034
- 152 mm (6 inches) - 13 kg (29 lbs) P/N 129871

All Roll Saver Models: Optional Sledge for Insertion  
Sledge weight - 9 kg (20 lbs) P/N 133144

# MAXCESS



#### NORTH AMERICA

Toll Free 800.426.1000  
Tel +1.360.834.2345  
Fax +1.360.834.5865  
sales@maxcessintl.com  
www.maxcessintl.com

#### SOUTH AMERICA

Tel +55.11.3959.0990  
Fax +55.11.3856.0990  
southamerica@maxcessintl.com  
www.maxcessintl.com.br

#### EUROPE

Tel +49.6195.7002.0  
Fax +49.6195.7002.933  
sales@maxcess.eu  
www.maxcess.eu

#### INDIA

Tel +91.22.27602633  
Fax +91.22.27602634  
india@maxcessintl.com  
www.maxcess.in

#### CHINA

Tel +86.756.881.9398  
Fax +86.756.881.9393  
info@maxcessintl.com.cn  
www.maxcessintl.com.cn

#### JAPAN

Tel +81.43.421.1622  
Fax +81.43.421.2895  
japan@maxcessintl.com  
www.maxcess.jp

#### KOREA, TAIWAN AND SE ASIA

Tel +65.9620.3883  
Fax +65.6235.4818  
asia@maxcessintl.com