

# ROTOTECH

## SOUTH AUSTRALIA

HEAD OFFICE  
(Accounts / Payments)  
34-36 Kinkaid Avenue  
NORTH PLYMPTON SA 5037  
Ph: (08) 8295 5566  
Fax: (08) 8295 5533

## VICTORIA

23 James Street  
CLAYTON SOUTH VIC 3169  
Ph: (03) 9544 2324  
Fax: (03) 9543 4328

Web: [www.rototech.com.au](http://www.rototech.com.au)  
Email: [mail@rototech.com.au](mailto:mail@rototech.com.au)



- QUALITY
- EASY FIT
- CONSTANT AIRFLOW
- QUIET OPERATION

## Rototech



Quality  
Endorsed  
Company  
ISO 9001:2008  
QEC LIC 7861  
Standard Australia

Rototech Pty Ltd  
ABN: 58 051 365 882

# FORCED COOLING FAN



Rototech forced cooling fan

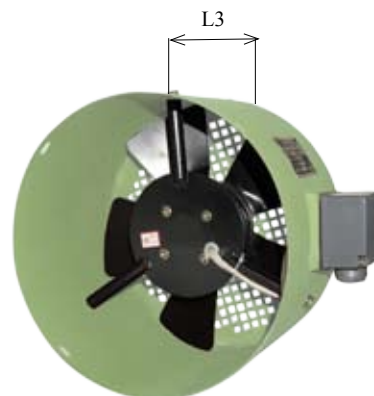
- Easy fit
- Constant air flow
- Quiet operation
- Quality

## G Series Fan Electrical Specifications

Frame size	Power( W)	Speed (rpm)	Capacity (m3/h)	Force (Pa)	Noise (dB)	Flake Dia (mm)	Motor	Forced cooling fan type
80	30	2300	330	70	62	150	3 phase 380V 50 Hz	G80A
90	40	2800	500	80	65	170	3 phase 380V 50 Hz	G90A
100	52	2800	660	82	67	186	3 phase 380V 50 Hz	G100A
112	60	2730	900	90	70	200	3 phase 380V 50 Hz	G112A
132	80	1300	780	50	70	250	3 phase 380V 50 Hz	G132A
160	80	1350	1300	50	70	300	3 phase 380V 50 Hz	G160A
180	80	1350	1300	55	70	300	3 phase 380V 50 Hz	G180A
200	150-230	1350	2400	100	70	380	3 phase 380V 50 Hz	G200A
225	150-230	1350	4200	150	74	400	3 phase 380V 50 Hz	G225A
250	150-230	1350	4200	150	77	460	3 phase 380V 50 Hz	G250A
280	320	1250	5000	150	77	520	3 phase 380V 50 Hz	G280A
315	320	1250	6200	180	80	580	3 phase 380V 50 Hz	G315A
355	250/450	900/1350	4700/6500	80/180	75/82	680	3 phase 380V 50 Hz	G355A

## G Series Fan Varies Frequencies Dimensions ( mm)

Type	D1	D2	L1	L2	L3	δ	a	R	n
G80A	150	155	20	48	130	1.2	4	3	3
G90A	170	175	20	76	160	1.5	4	3	3
G100A	186	193	20	81	160	1.5	5	3.5	3
G112A	200	217	22	76	160	1.5	5	3.5	3
G132A	250	258	20	85	178	1.5	5	3.5	3
G160A	300	314	24	92	195	2	5	3.5	4
G180A	300	352	40	138	230	2	5	3.5	4
G200A	380	393	40	150	273	2	6	4.5	4
G225A	400	440	45	156	300	2	6	4.5	4
G250A	460	482	55	180	324	2	6	4.5	4
G280A	520	548	65	167	377	2	9	5.5	4
G315A	580	614	75	175	385	2	9	5.5	4
G355A	680	694	82	185	400	2	7	6.5	4



EXPLANATION OF TYPE

G- 100 A (B, C, D...)

A IS THE TYPE IN THE BROCHURE, B,C,D ARE SPECIAL TYPE

FRAME SIZE OF MOTOR

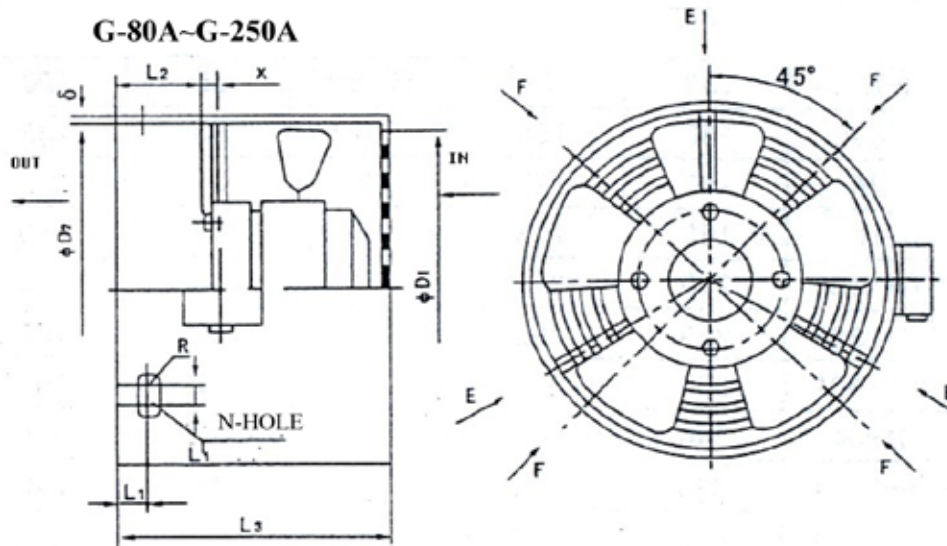
SERIES NUMBER VARIES FREQUENCY COOLING FAN

WORKING CONDITION:

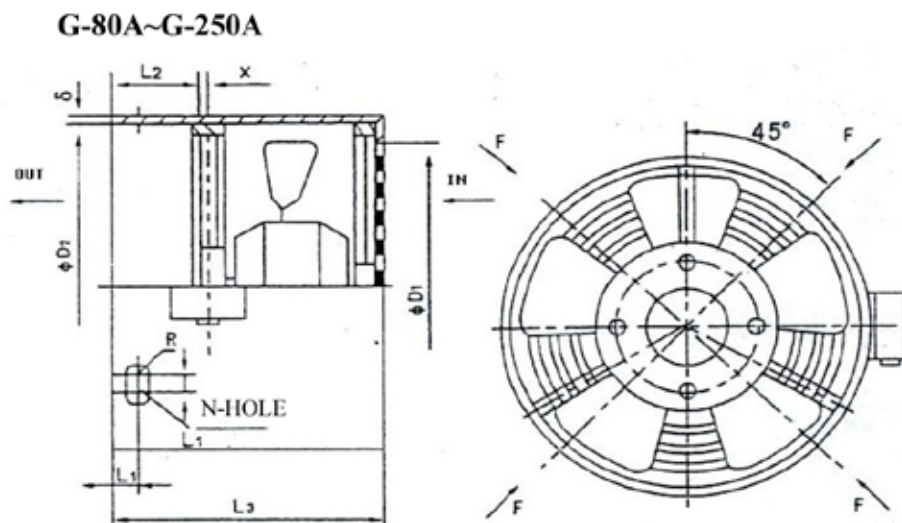
TEMPERATURE: AMBIENT TEMPERATURE VARIES. B CLASS: -40-50°C , F CLASS:-40-80°C

HUMIDITY: THE RELATIVE AMBIENT HUMIDITY IS NOT OVER 90(TEMPERATURE IS 25°C)

OUTLINE & DIMENSION DRAWINGS



NOTE: N=3, HOLES ON F POSITION. N=4, HOLES ON E POSITION



Looking for a complete solution ?

AC Drives

Electric Motors

Soft Starters

Geared Motors

**ROTOTECH**

Energy Saving  
Solutions

Motor Protection

Encoders

Services /Support

solutions for your business

