



77411-00 pump drive

Model Nos.
N° de modèle
Modellnummer
Número de modelo
Modello n°

77410-10
77411-00

OPERATING MANUAL:
PUMP DRIVES

MODE D'EMPLOI:
ENTRAÎNEMENTS
DE POMPES

BETRIEBSANLEITUNG:
PUMPENANTRIEBE

MANUAL DE FUNCIONAMIENTO:
MOTOR DE BOMBAS

MANUALE DI ISTRUZIONI:
UNITÀ DI
CONTROLLO POMPA

TABLE OF CONTENTS

Title

SAFETY PRECAUTIONS2

INTRODUCTION3

CONTROL/DISPLAY FUNCTIONS3

SETUP AND DRIVE OPERATION4

 Automatic Start Enable/Disable4

REMOTE CONTROL5

 Remote Control Setup5

 Internal / External Operation5

TROUBLESHOOTING AND MAINTENANCE7

 Fuse Replacement7

 Troubleshooting7




 Cleaning8


 Replacement Parts and Accessories8

SPECIFICATIONS9

TECHNICAL ASSISTANCE10

SAFETY PRECAUTIONS

<p>WARNINGS:</p> 	<p>No user serviceable parts inside. Do not remove covers. Refer servicing to your dealer.</p> <p>Tubing breakage may result in fluid being sprayed from pump. Use appropriate measures to protect operator and equipment.</p> <p>Turn drive off before removing or installing tubing. Fingers or loose clothing could get caught in drive mechanism.</p>
	<p>To avoid electrical shock, the power cord protective grounding conductor must be connected to ground. Not for operation in wet locations as defined by EN 61010-1.</p>
<p>CAUTIONS:</p> 	<p>Do not stack drives. Keep 3" minimum distance around and above drive for proper cooling.</p>

<p>WARNING:</p> 	<p>PRODUCT USE LIMITATION</p> <p>This product is not designed for, nor intended for use in, patient-connected applications, including, but not limited to, medical and dental use, and, accordingly, has not been submitted for FDA approval. If drive is used in a manner not specified in this manual the protection provided by the equipment may be impaired.</p>
--	--

Trademarks bearing the ® symbol in this publication are registered in the U.S. and in other countries.

INTRODUCTION

The brushless drive controls the speed of MASTERFLEX I/P Pump Heads to provide variable flow rates from 0.2 to 17 L/min (0.06 to 4.5 gallons/min). Achieve up to 26 LPM (7 GPM) with two stacked Standard or EASY-LOAD I/P Pump Heads. One MASTERFLEX High-Performance I/P Pump Head may be driven.

CONTROL/DISPLAY FUNCTIONS

Press keys to activate function.

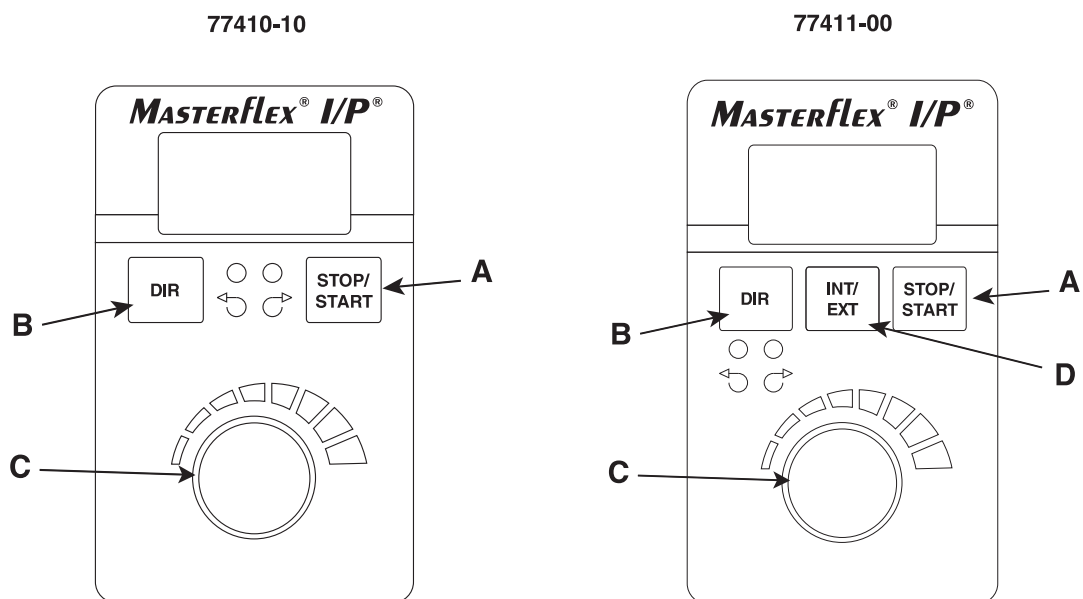


Figure 1

- A. STOP/START**—Start/Stop pump.
- B. DIRECTION**—To change motor direction.
- C. SPEED**—Selects output speed from 5 to 100% Full Scale (33 to 650 RPM). Clockwise rotation increases speed.
- D. INT/EXT**—(Model 77411-00 only) INT for internal control; EXT for remote current or voltage control.

SETUP AND DRIVE OPERATION

1. Attach any external control connections. (Model 77411-00 only)
2. Mount Pump Head and load tubing (see Pump Head manual).

NOTE: The High-Performance I/P pump is mounted with the tubing to the left. The Standard I/P pump is mounted with the tubing up. The EASY-LOAD I/P pump is mounted with the occlusion bed up.

3. Turn drive on.
4. Select INTERNAL or EXTERNAL operation. (Model 77411-00 only)
5. Select pump DIRECTION (clockwise or counter-clockwise).
6. Press STOP/START key to begin pumping.
7. Adjust speed (listed flow rates are for reference only. Flow will vary with pressure, tubing, viscosity, and time):

Speed Setting	I/P 26	I/P 73	I/P 82	I/P 70	I/P 88	I/P 89
10%	0.4 LPM 0.11 GPM	0.8 GPM 0.21 GPM	1.3 LPM 0.35 GPM	0.8 LPM 0.21 GPM	1.3 LPM 0.35 GPM	1.7 LPM 0.45 GPM
20%	0.8 LPM 0.22 GPM	1.6 LPM 0.42 GPM	2.6 LPM 0.70 GPM	1.6 LPM 0.42 GPM	2.6 LPM 0.70 GPM	3.4 LPM 0.90 GPM
30%	1.2 LPM 0.33 GPM	2.4 LPM 0.63 GPM	3.9 LPM 1.05 GPM	2.4 LPM 0.63 GPM	3.9 LPM 1.05 GPM	5.1 LPM 1.35 GPM
40%	1.6 LPM 0.44 GPM	3.2 LPM 0.84 GPM	5.2 LPM 1.40 GPM	3.2 LPM 0.84 GPM	5.2 LPM 1.40 GPM	6.8 LPM 1.80 GPM
50%	2.0 LPM 0.55 GPM	4.0 LPM 1.05 GPM	6.5 LPM 1.75 GPM	4.0 LPM 1.05 GPM	6.5 LPM 1.75 GPM	8.5 LPM 2.25 GPM
60%	2.4 LPM 0.66 GPM	4.8 LPM 1.26 GPM	7.8 LPM 2.1 GPM	4.8 LPM 1.26 GPM	7.8 LPM 2.1 GPM	10 LPM 2.70 GPM
70%	2.8 LPM 0.77 GPM	5.6 LPM 1.47 GPM	9.1 LPM 2.45 GPM	5.6 LPM 1.47 GPM	9.1 LPM 2.45 GPM	12 LPM 3.15 GPM
80%	3.2 LPM 0.88 GPM	6.4 LPM 1.68 GPM	10 LPM 2.8 GPM	6.4 LPM 1.68 GPM	10 LPM 2.8 GPM	14 LPM 3.60 GPM
90%	3.6 LPM 0.99 GPM	7.2 LPM 1.89 GPM	12 LPM 3.15 GPM	7.2 LPM 1.89 GPM	12 LPM 3.15 GPM	15 LPM 4.05 GPM
100%	4 LPM 1.1 GPM	8 LPM 2.1 GPM	13 LPM 3.5 GPM	8 LPM 2.1 GPM	13 LPM 3.5 GPM	17 LPM 4.5 GPM

NOTE: While in INTERNAL mode, drive will automatically restart after a brownout or power out condition unless operator changes default setting. If speed is being controlled by an external signal, drive will automatically restart with a non-zero speed command.

AUTOMATIC START ON/OFF (Internal mode only)

Press and hold DIR on power-up. After five (5) seconds, display will read "ON" (factory default) or "OFF". Hold the DIR key for an additional 3 seconds and the display will toggle to the other option every 3 seconds. Release the DIR key when the desired mode is being displayed. After releasing the key, "ON" or "OFF" will remain displayed for about 3 seconds and then the normal power-on sequence will begin. When "ON" is selected, drive will start automatically at power-up if it was running when powered down.

REMOTE CONTROL (Model 77411-00 only)

- Selectable input (4–20 mA, 0–10V DC)
- $\pm 0.5\%$ linearity control
- $\pm 50V$ common mode range with respect to earth ground
- Internal & External START/STOP; External CW/CCW via contact closure

REMOTE CONTROL SETUP

1. Place the power switch in the off position.
2. Connect the cable from the external remote control to the mating receptacle on the rear panel.
3. Select operation from front panel potentiometer, external 4-20mA current source, or external 0-10 V voltage source as follows:
 - a. Press and hold the INT/EXT control for approximately 5 seconds until the present setting of the speed source is displayed.
 - b. Continuing to hold the INT/EXT control will cause the display to cycle through the three choices: “4.20” indicating the 4-20 mA input, “0.10” indicating the 0-10 V input, or “Pot” indicating that the Speed Input Potentiometer will be used. When the key is released, the programmed choice will remain on the display for approximately 3 seconds as confirmation of the speed source choice made before returning to normal operation.
4. To adjust the voltage or current scaling for other than zero to full scale:
 - a. Press and hold the INT/EXT control (approximately 5 seconds) until the external speed source is displayed. (“4.20”, “0.10”, or “Pot”)
 - b. Release the INT/EXT control and press the DIR control before the external speed source disappears from the display.
 - c. The display will show “Lo” for about 3 seconds and then flash the current speed setting for the low set point (4 mA or 0 V). To change this setting, adjust the Speed Control Potentiometer to the percent of full speed desired. To make no change, press the DIR control a second time.
 - d. After pressing the DIR control the second time, the display will show “Hi” and then flash the high (20 mA or 10 V) speed set point. This can be changed by adjusting the Speed Control Potentiometer, or left as is by pressing the DIR control again.
 - e. The third press of the DIR control returns the drive to normal operation.

NOTE: The 4-20 mA input, the 0-10 V input, and the 4-20 mA output are not scaled separately.

INTERNAL / EXTERNAL Operation

1. The EXTERNAL mode of operation enables the PUMP READY output, the EXTERNAL START/STOP, EXTERNAL CW/CCW, 4-20 mA, and 0-10 V inputs, while disabling the INTERNAL START/STOP input (e.g. footswitch) and front-panel DIR and START controls. The pump speed is determined by the programmed choice of 4-20 mA, 0-10 V, or front panel potentiometer inputs. The front panel STOP/START control overrides the EXTERNAL START/STOP input to stop the drive.
2. In the INTERNAL mode of operation, either the INTERNAL START/STOP input (e.g. footswitch) or the front panel STOP/START control can start or stop the drive at the speed set by the front-panel SPEED POT.

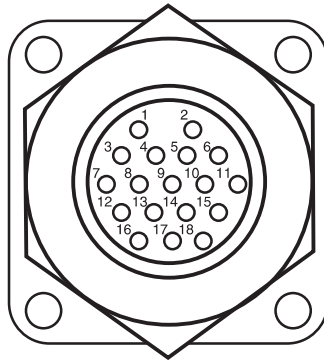
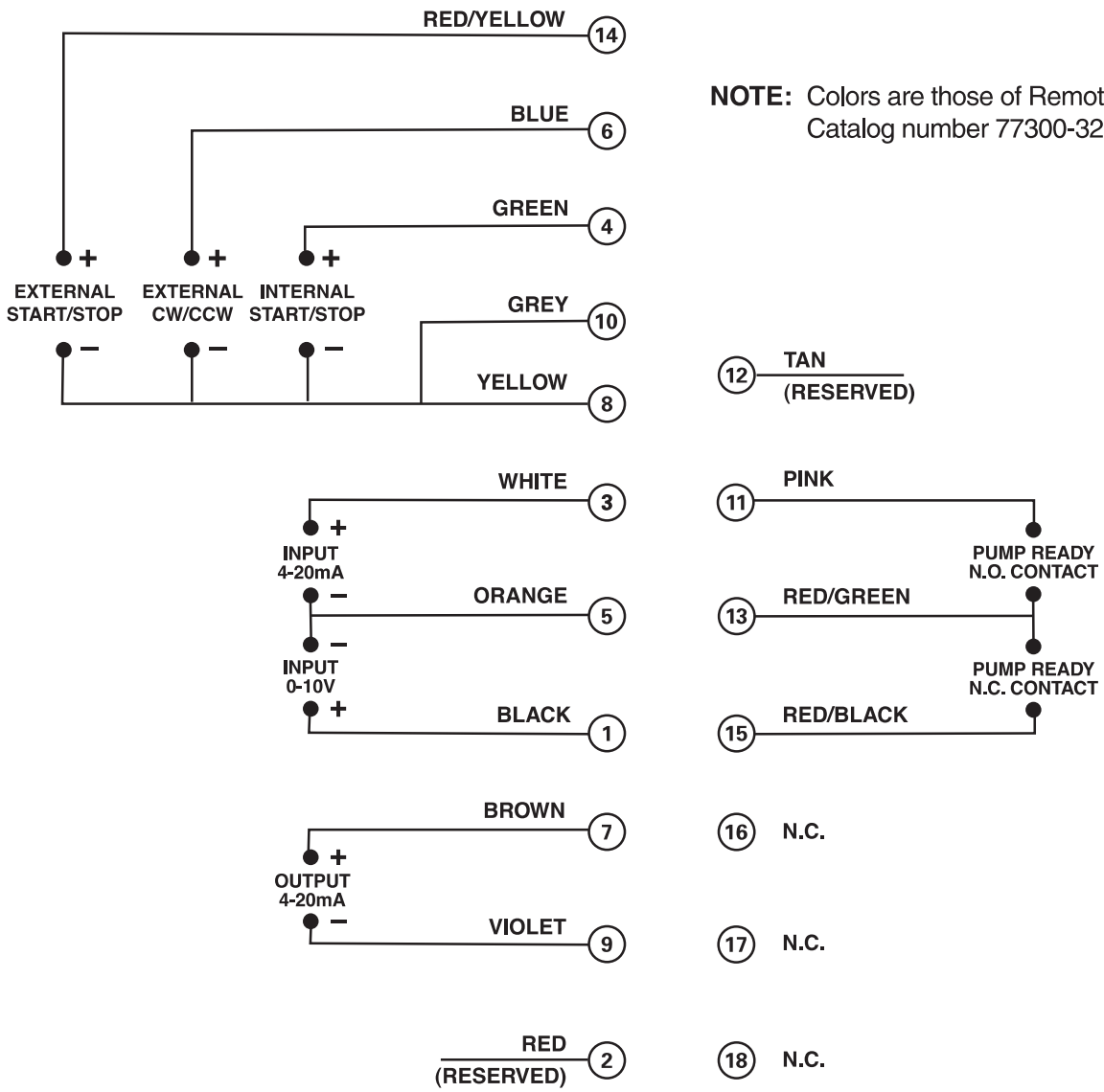


Figure 2



NOTE: Colors are those of Remote Cable.
 Catalog number 77300-32

TROUBLESHOOTING AND MAINTENANCE

FUSE REPLACEMENT

- 1 Place the power switch in the off position.
- 2 Disconnect the AC power input line cord from the attached line and receptacle.
- 3 Remove and check the fuse and replace if defective
- 4 Reconnect the AC power input line cord to the receptacle.

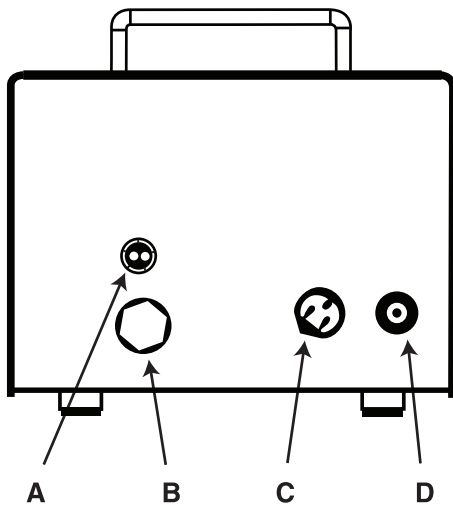


Figure 3

- A.** T6.3A Fuse (CAUTION: Do not substitute.)
- B.** External receptacle for remote control
- C.** IEC 320 Power cord
- D.** Power switch

TROUBLESHOOTING

SYMPTOM	CAUSE	REMEDY
A Motor does not rotate Display does not light	A No power	<ol style="list-style-type: none"> 1 Check fuse and replace if defective (Fig. 3) 2 Check that unit is plugged into a live line 3 Check connection of power cord 4 Check the line cord for continuity and replace if defective 5 Return for servicing
B Motor does not rotate Display lights	B1 Defective remote control	<ol style="list-style-type: none"> 1 Place power switch in off position 2 Check that remote cable connector is inserted fully into the receptacle (Fig. 2 and 3) 3 If motor still does not rotate, select INTernal with the INT/EXT control and press the STOP/START control (Fig. 1) 4 If the motor rotates, replace the remote control with similar unit. If motor does not rotate, return drive for servicing
	B2 INT/EXT control not properly set	<ol style="list-style-type: none"> 1 Check that the INT/EXT control is set to INT for operation with front panel control or to EXT for with operation remote control (Fig. 1) 2 If motor still does not rotate, return for servicing

Troubleshooting continued on page 8

TROUBLESHOOTING (Continued)

If an error message is displayed, refer to the following list for possible corrective actions you can take. If these do not correct the problem, contact your dealer.

ERROR MESSAGE	CAUSE	REMEDY
"Err 2"	Motor over-speed	<ol style="list-style-type: none"> 1 Clear by pressing any key 2 Check for proper tube loading and pump operation 3 Return unit for repair if the error persists
"Err 3" "Err 5" "Err 12"	Overload	<ol style="list-style-type: none"> 1 Clear by pressing any key 2 Check for proper tube loading and pump operation 3 Return unit for repair if the error persists
"Err 7"	Bad data Operator parameters set to default values	<ol style="list-style-type: none"> 1 Clear by pressing any key 2 Reprogram operator parameters 3 Return unit for repair if the error persists
"Err 10" "Err 11"	Voltage out of range	<ol style="list-style-type: none"> 1 Clear by pressing any key 2 Check that AC line voltage is within specified voltage ranges 3 Return unit for repair if AC line voltage is correct and the error persists
"Err 13" "Err 14"	Over temperature	<ol style="list-style-type: none"> 1 Check for heat sources or obstructions to cooling 2 Check for proper tube loading and pump operation 3 Allow unit to cool Clear by pressing any key 4 Return unit for repair if no cause for overheating is found and the error persists
All other errors	Internal error or failure	<ol style="list-style-type: none"> 1 Clear (if possible) by turning power off and on 2 Return unit for repair if the error persists

CLEANING

Keep the drive enclosure clean with mild detergents. Do not immerse.

REPLACEMENT PARTS & ACCESSORIES

77500-24	Fuse—T6.3A 5 x 20 mm
07595-43	Footswitch
77300-32	Remote control cable, 25 ft (7.62 m)

SPECIFICATIONS**OUTPUT**

Speed:	33 to 650 rpm
Torque output, maximum:	
Continuous	540 oz-in (39 kg-cm) @ 25°C Ambient 380 oz-in (27 kg-cm) @ 40°C Ambient
Start-up	960 oz-in (69 kg-cm)
Speed regulation:	
Line	±0.25% F.S.
Load	±0.25% F.S.
Drift	±0.25% F.S.
Display:	Three-digit, seven-segment LED
Remote outputs:	Current speed output (4–20 mA @ 0–600 Ω) Pump ready output (N.O. & N.C. contact closure, 1A @ 28V AC/DC)
(Model 77411-00 only)	

INPUT

Supply voltage limits:	Universal Input - 90 to 260 Vrms @ 50/60 Hz, Single Phase
Current, maximum	4.5A @ 115 Vrms, or 2.6A @ 230 Vrms
Remote Inputs:	Internal & External START/STOP (Contact closures) External CW/CCW (Contact closure)
(Model 77411-00 only)	Voltage input (0–10V DC @ 10 kΩ) Current input (4–20 mA @ 250 Ω)

CONSTRUCTION

Dimensions (L × W × H):	14.0" × 10" × 9.1" (35 cm × 25 cm × 23 cm)
Weight:	22 lb (10 kg)
Enclosure rating:	IP55 per IEC 60529

ENVIRONMENT

Temperature, operating:	0 to 40°C (32 to 104°F)
Temperature, storage:	–25 to 65°C (–13° to 149°F)
Humidity (non-condensing):	10 to 100%
Altitude:	Less than 2000 m
Pollution degree:	Pollution Degree 3 (Indoor use—sheltered locations)
Chemical resistance:	Enclosure is painted steel

COMPLIANCE

UL508C, CSA C22.2, No. 14 (For CE Mark): EN61010-1 (EU Low Voltage Directive) and EN61326 (EU EMC Directive)

WARRANTY

Use only MASTERFLEX precision tubing with MASTERFLEX pumps to ensure optimum performance. Use of other tubing may void applicable warranties.

The Manufacturer warrants this product to be free from significant deviations from published specifications. If repair or adjustment is necessary within the warranty period, the problem will be corrected at no charge if it is not due to misuse or abuse on your part, as determined by the Manufacturer. Repair costs outside the warranty period, or those resulting from product misuse or abuse, may be invoiced to you.

The warranty period for this product is two (2) years from date of purchase.

PRODUCT RETURN

To limit charges and delays, contact the seller or Manufacturer for authorization and shipping instructions before returning the product, either within or outside of the warranty period. When returning the product, please state the reason for the return. For your protection, pack the product carefully and insure it against possible damage or loss. Any damages resulting from improper packaging are your responsibility.

TECHNICAL ASSISTANCE

If you have any questions about the use of this product, contact the Manufacturer or authorized seller.

 **Cole-Parmer®**

(US & Canada only) Toll Free 1-800-MASTERFLEX • 1-800-637-3739

(Outside US & Canada) 1-847-549-7600 • 1-847-381-7050

www.masterflex.com • www.coleparmer.com

E-mail: techinfo@coleparmer.com

*EN809 manufactured by:

Cole-Parmer Instrument Company

28W092 Commercial Avenue

Barrington, IL 60010

Printed in U.S.A.



77411-00 pump drive

Model Nos.
N° de modèle
Modellnummer
Número de modelo
Modello n°

77410-10
77411-00

OPERATING MANUAL:
PUMP DRIVES

MODE D'EMPLOI:
ENTRAÎNEMENTS
DE POMPES

BETRIEBSANLEITUNG:
PUMPENANTRIEBE

MANUAL DE FUNCIONAMIENTO:
MOTOR DE BOMBAS




MANUALE DI ISTRUZIONI:
UNITÀ DI
CONTROLLO POMPA

TABLE DES MATIÈRES

Titre

SÉCURITÉ	12
INTRODUCTION	13
FONCTIONS COMMANDES/AFFICHAGE	13
MONTAGE ET FONCTIONNEMENT DE L'ENTRAÎNEMENT	14
Démarrage automatique Activé/Désactivé	14
COMMANDE À DISTANCE	15
Configuration de la commande à distance	15
Fonctionnement Interne / Externe	15
DÉPANNAGE ET ENTRETIEN	17
Remplacement de fusible	17
Dépannage	17
Nettoyage	18
Pièces de rechange et accessoires	18
SPÉCIFICATIONS	19
ASSISTANCE TECHNIQUE	20

SÉCURITÉ

<p>AVERTISSEMENTS</p> 	<p>Cet appareil ne comporte aucune pièce pouvant être dépannée par l'utilisateur. Ne retirez pas les couvercles. En cas de réparations, contactez votre vendeur.</p> <p>Les ruptures de tube peuvent entraîner l'écoulement du fluide hors de la pompe. Prenez des mesures appropriées destinées à la protection de l'opérateur et de l'équipement.</p> <p>Coupez l'entraînement de pompe avant de retirer ou d'installer un tube. Vos doigts ou des vêtements amples peuvent se prendre dans le mécanisme de transmission.</p>
<p>ATTENTION :</p> 	<p>Pour éviter tout choc électrique, le fil de branchement à la terre du cordon d'alimentation doit être mis à la terre. Non conçu pour une utilisation en milieu humide, comme défini par EN 61010-1.</p>
	<p>Ne pas empiler les entraînements. Gardez un minimum de 7,6 cm (3 pouces) autour et au dessus de l'entraînement pour assurer un refroidissement adéquat.</p>

AVERTISSEMENT : LIMITES DE L'UTILISATION DU PRODUIT



Ce produit n'est pas conçu, ni prévu, pour être utilisé dans des applications médicales, notamment mais sans limitation, lors des soins médicaux et dentaires. Par conséquent, il n'a pas été soumis à l'approbation de la FDA. Si l'entraînement est utilisé d'une façon non spécifiée dans le présent manuel, la protection offerte par l'équipement peut être altérée.

INTRODUCTION

Cet entraînement sans balais contrôle la vitesse des Têtes de Pompe MASTERFLEX I/P et offre des débits variables allant de 0,2 à 17 l/mn (0,06 à 4,5 gpm). Atteignez jusqu'à 26 l/mn (7 gpm) avec deux Têtes de Pompe empilées Standard ou EASY-LOAD I/P. Il est possible d'entraîner une Tête de Pompe MASTERFLEX Haute Performance I/P.

FONCTIONS COMMANDES/AFFICHAGE

Appuyez sur les touches pour activer les fonctions.

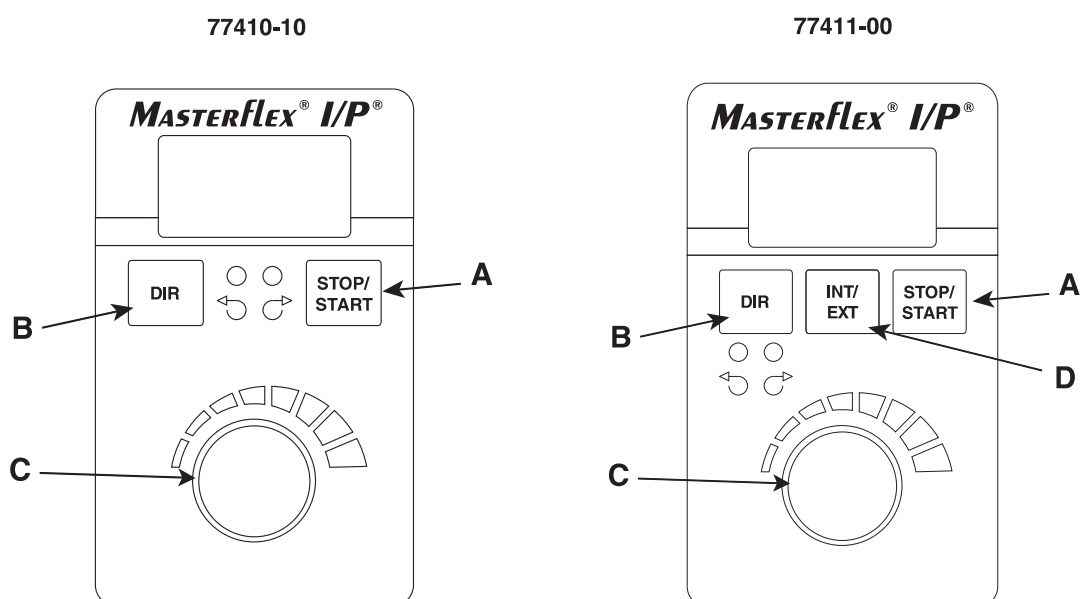


Figure 1

- A. STOP/START**-Démarrer/Arrêter la pompe.
- B. DIRECTION**-Pour changer le sens de rotation du moteur.
- C. SPEED**-Sélectionne la vitesse de sortie, de 5 à 100% à pleine échelle (33 à 650 T/MN). Une rotation effectuée dans le sens des aiguilles d'une montre augmente la vitesse.
- D. INT/EXT**- (Modèle 77411-00 uniquement) INT pour un contrôle interne ; EXT pour un courant ou une tension de commande externe.

MONTAGE ET FONCTIONNEMENT DE L'ENTRAÎNEMENT

1. Branchez toutes les connexions de commande externes. (Modèle 77411-00 uniquement)
2. Montez la Tête de Pompe et chargez les tubes (voir manuel de la Tête de Pompe).

REMARQUE : La pompe Haute Performance I/P est montée avec les tubes sur la gauche. La pompe Standard I/P est montée avec les tubes vers le haut. La pompe EASY-LOAD I/P est montée avec le lit d'occlusion vers le haut.

3. Mettez l'entraînement en marche.
4. Sélectionnez un fonctionnement INTerne ou EXTerne. (Modèle 77411-00 uniquement)
5. Sélectionnez la DIRection de la pompe (dans le sens des aiguilles d'une montre ou dans le sens inverse).
6. Appuyez sur la touche STOP/START pour commencer le pompage.
7. Réglez la vitesse (les débits ci-dessous ne sont que des références. Le débit peut varier selon la pression, les tubes, la viscosité et la durée) :

Vitesse	I/P 26	I/P 73	I/P 82	I/P 70	I/P 88	I/P 89
10%	0,4 L/MN 0,11 GPM	0,8 GPM 0,21 GPM	1,3 L/MN 0,35 GPM	0,8 L/MN 0,21 GPM	1,3 L/MN 0,35 GPM	1,7 L/MN 0,45 GPM
20%	0,8 L/MN 0,22 GPM	1,6 L/MN 0,42 GPM	2,6 L/MN 0,70 GPM	1,6 L/MN 0,42 GPM	2,6 L/MN 0,70 GPM	3,4 L/MN 0,90 GPM
30%	1,2 L/MN 0,33 GPM	2,4 L/MN 0,63 GPM	3,9 L/MN 1,05 GPM	2,4 L/MN 0,63 GPM	3,9 L/MN 1,05 GPM	5,1 L/MN 1,35 GPM
40%	1,6 L/MN 0,44 GPM	3,2 L/MN 0,84 GPM	5,2 L/MN 1,40 GPM	3,2 L/MN 0,84 GPM	5,2 L/MN 1,40 GPM	6,8 L/MN 1,80 GPM
50%	2,0 L/MN 0,55 GPM	4,0 L/MN 1,05 GPM	6,5 L/MN 1,75 GPM	4,0 L/MN 1,05 GPM	6,5 L/MN 1,75 GPM	8,5 L/MN 2,25 GPM
60%	2,4 L/MN 0,66 GPM	4,8 L/MN 1,26 GPM	7,8 L/MN 2,1 GPM	4,8 L/MN 1,26 GPM	7,8 L/MN 2,1 GPM	10 L/MN 2,70 GPM
70%	2,8 L/MN 0,77 GPM	5,6 L/MN 1,47 GPM	9,1 L/MN 2,45 GPM	5,6 L/MN 1,47 GPM	9,1 L/MN 2,45 GPM	12 L/MN 3,15 GPM
80%	3,2 L/MN 0,88 GPM	6,4 L/MN 1,68 GPM	10 L/MN 2,8 GPM	6,4 L/MN 1,68 GPM	10 L/MN 2,8 GPM	14 L/MN 3,60 GPM
90%	3,6 L/MN 0,99 GPM	7,2 L/MN 1,89 GPM	12 L/MN 3,15 GPM	7,2 L/MN 1,89 GPM	12 L/MN 3,15 GPM	15 L/MN 4,05 GPM
100%	4 L/MN 1,1 GPM	8 L/MN 2,1 GPM	13 L/MN 3,5 GPM	8 L/MN 2,1 GPM	13 L/MN 3,5 GPM	17 L/MN 4,5 GPM

REMARQUE : En mode INTerne, l'entraînement redémarrera automatiquement après une chute de tension ou une coupure de courant, sauf si l'opérateur modifie ces paramètres par défaut. Si la vitesse est contrôlée par un signal externe, l'entraînement va automatiquement redémarrer avec une vitesse non nulle.

MARCHE/ARRÊT DU DÉMARRAGE AUTOMATIQUE (Mode interne uniquement)

Appuyez et maintenez appuyé le bouton DIR à la mise sous tension. Après cinq (5) secondes, l'affichage indiquera "ON" (valeur d'usine) ou "OFF". Maintenez la pression sur le bouton DIR pendant encore 3 secondes et l'affichage basculera toutes les 3 secondes sur l'autre option. Relâchez la touche DIR lorsque vous avez obtenu le mode souhaité. Après avoir relâché la touche, "ON" ou "OFF" restera affiché pendant environ 3 secondes puis la séquence de démarrage normale débutera. Lorsque "ON" est choisi, l'entraînement démarrera automatiquement à la mise sous tension s'il était en route avant la mise hors tension.

COMMANDE À DISTANCE (Modèle 77411-00 uniquement)

- Entrée sélectionnable (4-20 mA, 0-10V DC)
- Commande de linéarité $\pm 0.5\%$
- Gamme commune de $\pm 50V$ eu égard à la prise de terre
- START/STOP (MARCHE/ARRÊT) Interne et Externe ; CW/CCW (Sens des aiguilles d'une montre/ Sens inverse) par fermeture de contact.

CONFIGURATION DE LA COMMANDE À DISTANCE

1. Placez l'interrupteur électrique en position "off".
2. Branchez le câble de la commande à distance externe à la prise femelle située sur le panneau arrière.
3. Sélectionnez le mode de fonctionnement avec le potentiomètre situé sur le panneau avant, source de courant externe 4-20 mA ou source de tension externe de -10 V, de la façon suivante :
 - a. Appuyez et maintenez appuyé le bouton INT/EXT pendant environ 5 secondes jusqu'à ce que les paramètres actuels s'affichent.
 - b. Maintenir le bouton INT/EXT enfoncé va faire défiler les trois choix possibles : "4.20" indique l'entrée de 4-20 mA, "0.10" indique l'entrée de 0-10 V et "Pot" indique l'utilisation du Potentiomètre de vitesse. Lorsque cette touche est relâchée, le choix sélectionné reste affiché pendant environ 3 secondes, comme confirmation du choix de la source avant de revenir à un fonctionnement normal.
4. Pour régler l'échelle de tension ou de courant à d'autres valeurs que zéro ou pleine échelle :
 - a. Appuyez et maintenez appuyé le bouton INT/EXT pendant environ 5 secondes jusqu'à ce que les paramètres de la source externe s'affichent. ("4.20", "0.10" ou "Pot")
 - b. Relâchez la touche INT/EXT et appuyez sur la touche DIR avant la disparition de la source de vitesse externe sur l'affichage.
 - c. L'affichage indiquera alors "Lo" pendant environ 3 secondes puis affichera en clignotant les paramètres de vitesse actuels pour la valeur inférieure (4 mA ou 0 V). Pour modifier ce réglage, ajustez le Potentiomètre de réglage de vitesse sur le pourcentage de la vitesse maximale désiré. Pour confirmer le changement, appuyez sur la touche DIR une seconde fois.
 - d. Après avoir appuyé sur la touche DIR pour la seconde fois, l'affichage indiquera "Hi" puis affichera en clignotant la valeur supérieure de la vitesse (20 mA ou 10 V). Il est possible de modifier cette valeur en ajustant le Potentiomètre de réglage de vitesse ou de ne rien changer en appuyant une nouvelle fois sur le bouton DIR.
 - e. Appuyez une troisième fois sur le bouton DIR pour revenir au fonctionnement normal de l'entraînement.

REMARQUE : L'entrée 4-20 mA, 0-10 V et la sortie 4-20 mA ne sont pas étalonnés séparément.

Fonctionnement INTerne / EXTerne

1. Le mode de fonctionnement EXTerne active la sortie PUMP READY, les entrées EXTERNAL START/STOP, EXTERNAL CW/CCW, 4-20 mA et 0-10 V ; tout en désactivant l'entrée INTERNAL START/STOP (Pour un interrupteur à pédale par exemple) et les boutons du panneau avant DIR et START. La vitesse de la pompe est déterminée par le choix des entrées 4-20 mA, 0-10 V ou par potentiomètre du panneau avant. Le bouton STOP/START du panneau avant annule l'entrée EXTERNAL START/STOP pour arrêter l'entraînement.
2. En mode de fonctionnement INTerne, il est possible de démarrer ou d'arrêter l'entraînement soit par l'entrée INTERNAL START/STOP (interrupteur à pédale par exemple) soit par le bouton STOP/START du panneau avant soit en arrêtant l'entraînement à la vitesse définie par le potentiomètre SPEED (VITESSE) du panneau avant.

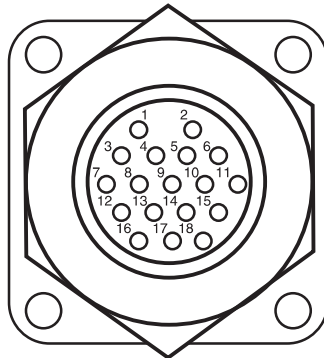
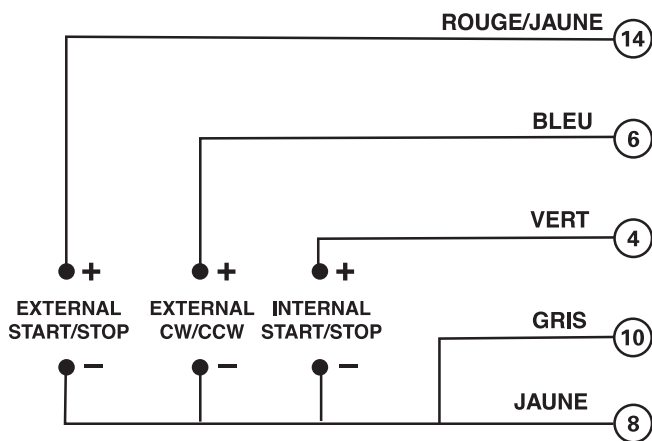
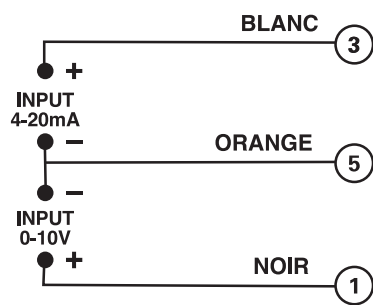


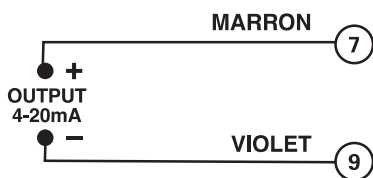
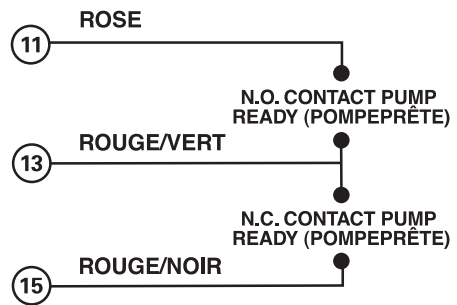
Figure 2



REMARQUE : Les couleurs sont celles du câbles de la commande à distance. Numéro Catalogue 77300-32



12 BRUN
(RÉSERVÉ)



16 N.C.

17 N.C.

2 RED
(RÉSERVÉ)

18 N.C.

DÉPANNAGE ET ENTRETIEN

REPLACEMENT DE FUSIBLE

- 1 Placez l'interrupteur électrique en position "off".
- 2 Débranchez le cordon d'alimentation depuis la ligne et la prise femelle.
- 3 Retirez et vérifiez le fusible, remplacez-le s'il est défectueux.
- 4 Rebranchez le cordon d'alimentation à la prise femelle.

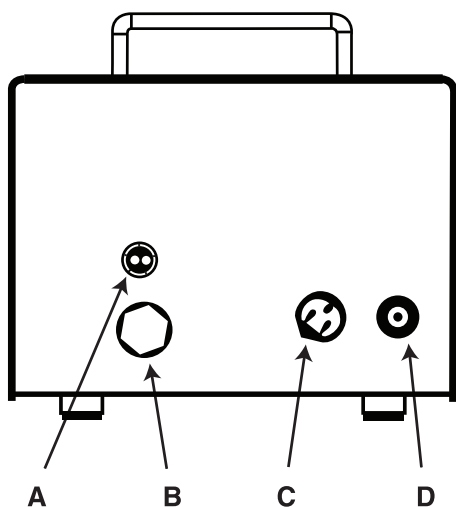


Figure 3

- A.** Fusible T6.3A (Attention : Ne pas remplacer par un autre type.)
- B.** Prise femelle externe pour commande à distance
- C.** Cordon d'alimentation IEC 320
- D.** Interrupteur électrique

DÉPANNAGE

SYMPTÔME	CAUSE	SOLUTION
A Le moteur ne tourne pas L'affichage ne s'allume pas	A Pas d'alimentation	<ol style="list-style-type: none"> 1 Vérifiez le fusible et remplacez-le s'il est défectueux (Fig. 3) 2 Vérifiez que l'appareil est branché à une prise sous tension 3 Vérifiez le branchement du cordon d'alimentation 4 Vérifiez la continuité du cordon d'alimentation et remplacez-le s'il est défectueux 5 Envoyez en réparation
B Le moteur ne tourne pas L'affichage s'allume	B1 Commande à distance défectueuse	<ol style="list-style-type: none"> 1 Mettez l'interrupteur en position off 2 Vérifiez que le câble de raccordement de la commande à distance est correctement connecté à la prise femelle (Fig. 2 et 3) 3 Si le moteur ne tourne toujours pas, sélectionnez INTerne à l'aide de la touche INT/EXT puis appuyez sur la touche STOP/START (Fig. 1) 4 Si le moteur tourne, remplacez la commande à distance. Si le moteur ne tourne pas, envoyez l'entraînement en réparation
	B2 Position de INT/EXT incorrecte	<ol style="list-style-type: none"> 1 Vérifiez que la touche INT/EXT est sur INT, pour une utilisation à l'aide des commandes de l'appareil, ou sur EXT pour une utilisation à l'aide d'une commande à distance (Fig. 1) 2 Si le moteur ne tourne toujours pas, envoyez l'entraînement en réparation

Dépannage - Suite en page 8

DÉPANNAGE (Suite)

Si un message d'erreur s'affiche, reportez-vous à la liste suivante pour déterminer les actions correctives à entreprendre. Si ceci ne corrige pas le problème, contactez votre vendeur.

MESSAGE D'ERREUR	CAUSE	SOLUTION
"Err 2"	Survitesse moteur	<ol style="list-style-type: none">1 Annulez en appuyant sur une touche2 Vérifiez que le tube se remplit correctement et que la pompe fonctionne3 Envoyez l'appareil en réparation si l'erreur persiste
"Err 3" "Err 5" "Err 12"	Surcharge	<ol style="list-style-type: none">1 Annulez en appuyant sur une touche2 Vérifiez que le tube se remplit correctement et que la pompe fonctionne3 Envoyez l'appareil en réparation si l'erreur persiste
"Err 7"	Mauvaises données Paramètres utilisateur erronés	<ol style="list-style-type: none">1 Annulez en appuyant sur une touche2 Reprogrammez les paramètres utilisateur3 Envoyez l'appareil en réparation si l'erreur persiste
"Err 10" "Err 11"	Tension hors limites	<ol style="list-style-type: none">1 Annulez en appuyant sur une touche2 Vérifiez que la tension de secteur se situe dans les limites de tension spécifiées3 Renvoyez l'appareil en réparation si la tension de secteur est correcte et que l'erreur persiste
"Err 13" "Err 14"	Température trop élevée	<ol style="list-style-type: none">1 Cherchez les sources de chaleur et les obstructions du système de refroidissement2 Vérifiez que le tube se remplit correctement et que la pompe fonctionne3 Laissez l'appareil refroidir et Annulez en appuyant sur une touche4 Renvoyez l'unité en réparation si aucune cause de surchauffe n'est décelée et que l'erreur persiste
Toutes les autres erreurs	Erreur ou défaillance interne	<ol style="list-style-type: none">1 Annulez (si possible) en coupant l'alimentation et en la remettant2 Envoyez l'appareil en réparation si l'erreur persiste

NETTOYAGE

Gardez l'enceinte de l'entraînement propre à l'aide de détergents doux. Ne pas immerger.

PIÈCES DE RECHANGE ET ACCESSOIRES

77500-24	Fusible-T6.3A 5 x 20 mm
07595-43	Interrupteur à pédale
77300-32	Câble de commande à distance, 7,62 m (25 pieds)

SPÉCIFICATIONS

SORTIE

Vitesse :	33 à 650 T/MN
Couple de sortie, maximum :	
Continu	540 oz-in (39 kg-cm) à 25°C Ambiant 380 oz-in (27 kg-cm) à 40°C Ambiant
Démarrage	960 oz-in (69 kg-cm)
Réglage de vitesse :	
Conduite	±0.25% F.S.
Charge	±0.25% F.S.
Dérive	±0.25% F.S.
Affichage :	Trois chiffres, DEL sept segments
Sorties de commandes à distance :	Sortie Vitesse actuelle (4-20 mA à 0-600 Ω)
(Modèle 77411-00 uniquement)	Sortie Pompe prête (Fermeture de contact N.O. et N.C., 1 A à 28 V AC/DC)

ENTRÉE

Limites de tension d'alimentation :	Entrée universelle - 90 à 260 VRMS à 50/60 Hz, monophasé
Courant, maximum	4.5 A à 115 VRMS ou 2.6 A à 230 VRMS
Entrées des commandes à distance :	START/STOP Interne et externe (fermetures de contact)
(Modèle 77411-00 uniquement)	Externe CW/CWW (fermeture de contact) Tension d'entrée (0-10 V DC à 10 kΩ) Courant d'entrée (4-20 mA à 250 Ω)

CONSTRUCTION

Dimensions (L × h × H):	14.0" × 10" × 9.1" (35 cm × 25 cm × 23 cm)
Poids :	22 lb (10 kg)
Classe de l'enceinte :	IP55 suivant IEC 60529

ENVIRONNEMENT

Température, fonctionnement :	0 à 40°C (32 à 104°F)
Température, stockage :	-25 à 65°C (-13° à 149°F)
Humidité (sans condensation) :	10 à 100%
Altitude :	Moins de 2000 m
Niveau de pollution :	Pollution Niveau 3 (Utilisation en intérieur - emplacements protégés)
Résistance chimique :	L'enceinte est en acier peint

CERTIFICATION

UL508C, CSA C22.2, No. 14
(Pour la marque CE) :
EN61010-1 (Directive Basse Tension de l'UE) et
EN61326 (Directive de Compatibilité Électromagnétique de l'UE)

GARANTIE

Utilisez uniquement des conduites de précision MASTERFLEX avec des pompes MASTERFLEX pour assurer des performances optimales. L'utilisation d'autres conduites peut annuler la garantie.

Nous garantissons que ce produit est conforme aux descriptifs. Si une réparation ou un réglage s'avère nécessaire durant la période de garantie, le problème sera corrigé gratuitement s'il n'est pas dû à une utilisation par le client dont nous avons déterminé qu'elle est incorrecte ou abusive. Les réparations effectuées en dehors de la période de garantie ou rendues nécessaires par une utilisation incorrecte ou abusive seront à la charge du client.

La durée de garantie de ce produit est de deux (2) ans à compter de la date d'achat.

RETOUR DE MARCHANDISES

Pour limiter les frais et délais, le produit ne peut être retourné sans notre autorisation préalable et nos instructions d'expédition ou celles du revendeur. Lors du renvoi du produit, bien vouloir en indiquer la raison. Pour se protéger, nous recommandons au client d'emballer soigneusement le produit et de le garantir contre les risques de dommages ou de perte. Nous ne serons pas responsable des dommages résultant d'un emballage incorrect.

ASSISTANCE TECHNIQUE

Pour toute question concernant l'utilisation de ce produit, prendre contact avec nous ou avec le revendeur agréé.

 **Cole-Parmer®**

(US & Canada only) Toll Free 1-800-MASTERFLEX • 1-800-637-3739

(Outside US & Canada) 1-847-549-7600 • 1-847-381-7050

www.masterflex.com • www.coleparmer.com

E-mail: techinfo@coleparmer.com

*EN809 manufactured by:

Cole-Parmer Instrument Company

28W092 Commercial Avenue

Barrington, IL 60010



Pumpenantrieb 77411-00

Model Nos.
N° de modèle
Modellnummer
Número de modelo
Modello n°

77410-10
77411-00

OPERATING MANUAL:
PUMP DRIVES

MODE D'EMPLOI:
**ENTRAÎNEMENTS
DE POMPES**

BETRIEBSANLEITUNG:
PUMPENANTRIEBE

MANUAL DE FUNCIONAMIENTO:
MOTOR DE BOMBAS

MANUALE DI ISTRUZIONI:
**UNITÀ DI
CONTROLLO POMPA**

INHALTSVERZEICHNIS

Deckblatt

SICHERHEITSHINWEISE	22
EINFÜHRUNG	23
STEUERUNGS- UND ANZEIGEFUNKTIONEN	23
MONTAGE UND BETRIEB	24
Aktivieren bzw. deaktivieren der automatischen Startfunktion	24
EXTERNE STEUERUNG	25
Einrichten der externen Steuerung	25
Interner / Externer Betrieb	25
STÖRUNGSBESEITIGUNG UND WARTUNG	27
Auswechseln der Sicherung	27
Störungsbeseitigung	27
Reinigung	28
Ersatzteile und Zubehör	28
TECHNISCHE DATEN	29
TECHNISCHER KUNDENDIENST	30

SICHERHEITSHINWEISE

WARNHINWEISE: Im Inneren des Antriebs befinden sich keine Teile, die vom Bediener zu warten sind. Gehäuse nicht entfernen! Überlassen Sie Wartungsarbeiten Ihrem Fachhändler.



Ein Schlauchbruch kann zu Schäden durch austretende Medien führen. Treffen Sie geeignete Maßnahmen, um Bedienperson und Geräte vor Beschädigung zu schützen.

Vor dem Einlegen oder Entfernen von Schläuchen immer den Antrieb aus-schalten, da sich andernfalls Finger oder lose Kleidungsstücke im Antriebsmechanismus verfangen können.



Erdungsleiter des Netzkabels unbedingt mit der Erde verbinden, andernfalls besteht Stromschlaggefahr! Nicht für den Betrieb in feuchter Umgebung geeignet (nach EN 61010-1).

VORSICHT:



Antriebe nicht stapeln. Um eine Überhitzung des Antriebs zu vermeiden, unbedingt einen Mindestabstand von 8 cm zu allen Seiten (einschl. oben) des Antriebs einhalten!

WARNUNG:



HINWEISE ZUR VERWENDUNG

Das Produkt ist nicht für einen Einsatz in patientenbezogenen, z. B. medizinischen oder zahnmedizinischen Anwendungen entwickelt oder vorgesehen. Dementsprechend wurde für das Produkt keine FDA-Zulassung beantragt. Bei unvorschriftsmäßiger Verwendung können die Sicherheitsfunktionen des Antriebs außer Kraft gesetzt werden.

EINFÜHRUNG

Der bürstenlose Antrieb steuert die Geschwindigkeit der MASTERFLEX I/P Pumpenköpfe für Fördermengen von 0,2 bis 17 l/min. Zwei gestapelte Standard oder EASY-LOAD I/P Pumpenköpfe können bis zu 26 l/min liefern. Oder es kann ein MASTERFLEX High-Performance I/P Pumpenkopf angetrieben werden.

STEUERUNGS- UND ANZEIGEFUNKTIONEN

Die jeweiligen Funktionen werden durch Betätigen der Tasten aktiviert.

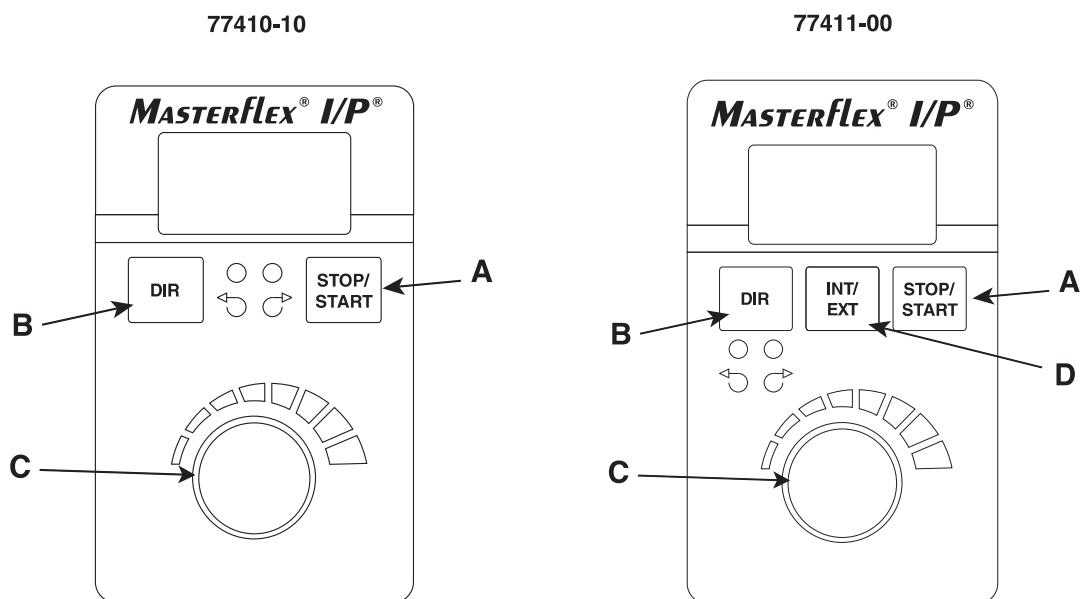


Abbildung 1

- A. STOP/START (STOPP/START)**—Startet bzw. stoppt die Pumpe.
- B. DIRECTION (RICHTUNG)**—Ändert die Drehrichtung des Motors.
- C. SPEED (DREHZAHL)**—Stellt die Geschwindigkeit auf einen Wert zwischen 5 und 100% vom Vollausschlag ein (33 bis 650 min⁻¹). Drehen im Uhrzeigersinn erhöht die Drehzahl.
- D. INT/EXT**—(nur Modell 77411-00) INT für interne Steuerung, EXT für externe Steuerung (Strom- oder Spannungseingang).

MONTAGE UND BETRIEB

1. Ggf. externe Steuerung anschließen (nur Modell 77411-00).
2. Pumpenkopf montieren und Schlauch einlegen (siehe Betriebsanleitung Pumpenkopf).

HINWEIS: High-Performance I/P Pumpen werden mit dem Schlauch nach links eingelegt. Bei Standard I/P Pumpen zeigt der Schlauch, bei Easy-Load I/P Pumpen das Schlauchbett nach oben.

3. Antrieb einschalten.
4. INTerne oder EXTerne Betriebsart einstellen (nur Modell 77411-00).
5. Drehrichtung des Motors wählen (DIR) (im oder gegen den Uhrzeigersinn).
6. STOP/START drücken, um die Pumpe zu starten.
7. Drehzahl einstellen (die unten genannten Fördermengen sind lediglich Richtwerte; die tatsächlich erzielte Leistung hängt vom Druck, vom Schlauch, von der Viskosität und der Zeit ab):

Drehzahleinstellung	I/P 26	I/P 73	I/P 82	I/P 70	I/P 88	I/P 89
10%	0,4 l/min 0,11 GPM	0,8 l/min 0,21 GPM	1,3 l/min 0,35 GPM	0,8 l/min 0,21 GPM	1,3 l/min 0,35 GPM	1,7 l/min 0,45 GPM
20%	0,8 l/min 0,22 GPM	1,6 l/min 0,42 GPM	2,6 l/min 0,70 GPM	1,6 l/min 0,42 GPM	2,6 l/min 0,70 GPM	3,4 l/min 0,90 GPM
30%	1,2 l/min 0,33 GPM	2,4 l/min 0,63 GPM	3,9 l/min 1,05 GPM	2,4 l/min 0,63 GPM	3,9 l/min 1,05 GPM	5,1 l/min 1,35 GPM
40%	1,6 l/min 0,44 GPM	3,2 l/min 0,84 GPM	5,2 l/min 1,40 GPM	3,2 l/min 0,84 GPM	5,2 l/min 1,40 GPM	6,8 l/min 1,80 GPM
50%	2,0 l/min 0,55 GPM	4,0 l/min 1,05 GPM	6,5 l/min 1,75 GPM	4,0 l/min 1,05 GPM	6,5 l/min 1,75 GPM	8,5 l/min 2,25 GPM
60%	2,4 l/min 0,66 GPM	4,8 l/min 1,26 GPM	7,8 l/min 2,1 GPM	4,8 l/min 1,26 GPM	7,8 l/min 2,1 GPM	10 l/min 2,70 GPM
70%	2,8 l/min 0,77 GPM	5,6 l/min 1,47 GPM	9,1 l/min 2,45 GPM	5,6 l/min 1,47 GPM	9,1 l/min 2,45 GPM	12 l/min 3,15 GPM
80%	3,2 l/min 0,88 GPM	6,4 l/min 1,68 GPM	10 l/min 2,8 GPM	6,4 l/min 1,68 GPM	10 l/min 2,8 GPM	14 l/min 3,60 GPM
90%	3,6 l/min 0,99 GPM	7,2 l/min 1,89 GPM	12 l/min 3,15 GPM	7,2 l/min 1,89 GPM	12 l/min 3,15 GPM	15 l/min 4,05 GPM
100%	4 l/min 1,1 GPM	8 l/min 2,1 GPM	13 l/min 3,5 GPM	8 l/min 2,1 GPM	13 l/min 3,5 GPM	17 l/min 4,5 GPM

HINWEIS: In der Betriebsart INTern startet der Antrieb nach einer Unterspannung oder einem Spannungsausfall automatisch, es sei denn, die Standardeinstellung wurde verändert. Wird die Drehzahl extern gesteuert, startet der Antrieb automatisch bei einem Drehzahlbefehl ungleich Null.

AKTIVIEREN/DEAKTIVIEREN DER AUTOMATISCHEN STARTFUNKTION (nur Betriebsart INTern)

Beim Einschalten die DIR-Taste gedrückt halten. Nach fünf (5) Sekunden erscheint auf dem Display „ON (EIN)“ (Standardeinstellung) oder „OFF (AUS)“. DIR-Taste weitere 3 Sekunden gedrückt halten. Das Display wechselt alle 3 Sekunden zwischen beiden Optionen. DIR-Taste loslassen, sobald die gewünschte Option angezeigt wird. Nach dem Loslassen der DIR-Taste wird „ON (EIN)“ bzw. „OFF (AUS)“ noch weitere 3 Sekunden lang angezeigt, anschließend beginnt der normale Einschaltvorgang. Bei Wahl von „ON (EIN)“ startet der Antrieb beim Einschalten automatisch, wenn er beim vorherigen Ausschalten lief.

EXTERNE STEUERUNG (nur Modell 77411-00)

- Wählbarer Eingang (4-20 mA, 0-10 V Gleichstrom)
- $\pm 0,5\%$ Linearitätskontrolle
- ± 50 V Abweichungsbereich von Bezugsmasse
- START/STOP intern & extern; CW/CCW (Uhrzeigersinn/Gegenuhrzeigersinn) extern über Kontaktgebung

EINRICHTEN DER EXTERNEN STEUERUNG

1. Ein/Aus-Schalter auf AUS stellen.
2. Das Kabel der externen Steuerung an die passende Buchse an der Rückwand anschließen.
3. Gewünschte Betriebsart, d. h. internes Drehzahlpotentiometer, externen 4-20 mA Stromeingang oder 0-10 V Spannungseingang, wie folgt auswählen:
 - a. INT/EXT-Taste ca. 5 Sekunden gedrückt halten, bis der aktuelle Eingang angezeigt wird.
 - b. Durch fortgesetztes Gedrückthalten der INT/EXT-Taste schaltet die Anzeige zyklisch durch die drei zur Auswahl stehenden Optionen: „4.20“ steht für einen externen 4-20 mA Stromeingang, „0.10“ für einen externen 0-10 V Spannungseingang und „Pot“ zeigt an, dass das interne Drehzahlpotentiometer verwendet wird. Nach dem Loslassen der Taste wird die gewählte Option zur Bestätigung noch 3 Sekunden lang auf dem Display angezeigt, anschließend erscheint wieder die normale Betriebsanzeige.
4. Spannungs- oder Stromskalierung auf einen anderen Bereich als Null bis Vollausschlag einstellen:
 - a. INT/EXT-Taste gedrückt halten (ca. 5 Sekunden), bis der externe Eingang angezeigt wird („4.20“, „0.10“ oder „Pot“).
 - b. INT/EXT-Taste loslassen und die DIR-Taste drücken, ehe der externe Eingang vom Display verschwindet.
 - c. Im Display erscheint 3 Sekunden lang „Lo“, anschließend blinkt die aktuelle Drehzahleinstellung für den unteren Eingangswert (4 mA oder 0 V). Stellen Sie das interne Drehzahlpotentiometer auf den gewünschten Prozentsatz vom Vollausschlag, um die Einstellung zu ändern. Oder drücken Sie die DIR-Taste erneut, wenn die bisherige Einstellung beibehalten werden soll.
 - d. Nach dem erneuten Betätigen der DIR-Taste erscheint im Display „Hi“, anschließend blinkt die Einstellung für den höchsten Eingangswert (20 mA oder 10 V). Ändern Sie die Einstellung mithilfe des internen Drehzahlpotentiometers, oder behalten Sie die Einstellung bei, indem Sie die DIR-Taste erneut betätigen.
 - e. Durch nochmaliges Betätigen der DIR-Taste kehrt der Antrieb in den normalen Betrieb zurück.

HINWEIS: Der 4-20 mA bzw. 0-10 V Eingang und der 4-20 mA Ausgang verwenden die gleiche Skalierung.

INTerner / EXTerner Betrieb

1. Die Betriebsart EXTern aktiviert den PUMPE BEREIT-Ausgang sowie folgende Eingänge: START/STOP extern, CW/CCW extern, 4-20 mA oder 0-10 V. Der INTERNE START/STOP Eingang (z. B. Fußschalter) und die Tasten DIR und START an der Gerätefront werden deaktiviert. Die Drehzahl der Pumpe wird bestimmt über die Auswahl von 4-20 mA oder 0-10 V, oder über den Eingang vom internen Potentiometer an der Gerätefront. Die STOP/START-Taste am Antrieb hat Vorrang vor einem EXTERNEN START/STOP-Signal und hält die Pumpe an.
2. In der Betriebsart INTern kann der Antrieb entweder mit einem INTERNEN START/STOP-Eingang (z. B. von einem Fußschalter) oder mit der STOP/START-Taste an der Gerätefront ein- bzw. ausgeschaltet werden. Die Drehzahl wird in diesem Fall am Drehzahlpotentiometer an der Gerätefront reguliert.

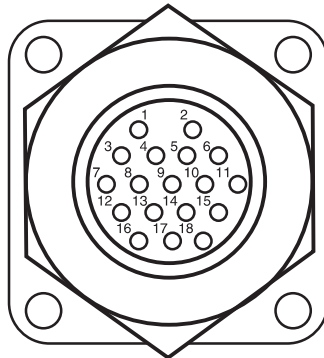
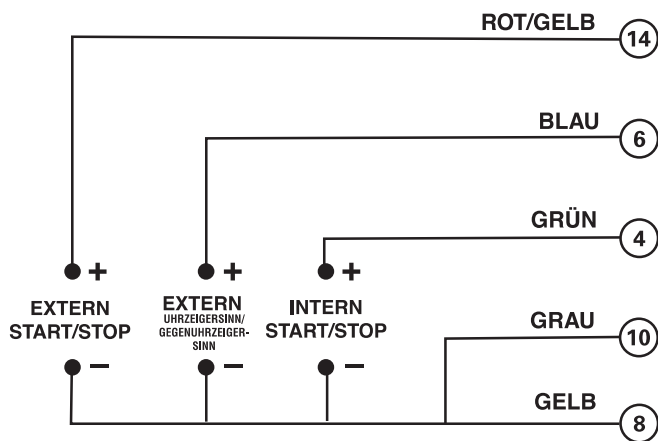
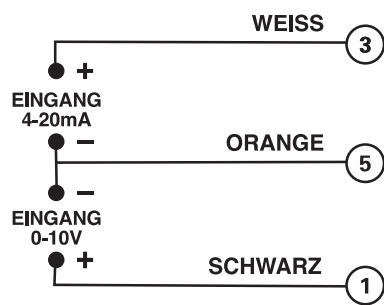


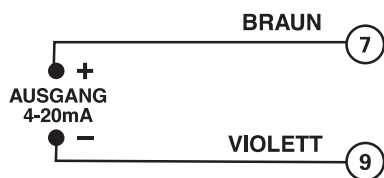
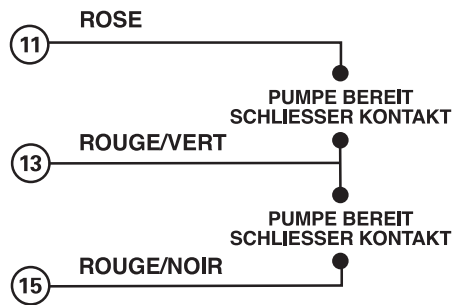
Abbildung 2



HINWEIS: Die Farben gelten für das Kabel der externen Steuerung.



12 BRUN
(RÉSERVÉ)



16 N.C.

17 N.C.

2 ROT
(NICHT BELEGT)

18 N.C.

STÖRUNGSBESEITIGUNG UND WARTUNG

AUSWECHSELN DER SICHERUNG

- 1 Ein/Aus-Schalter auf AUS stellen.
- 2 Netzstecker ziehen.
- 3 Die Sicherung herausnehmen und prüfen; gegebenenfalls austauschen.
- 4 Netzstecker wieder anschließen.

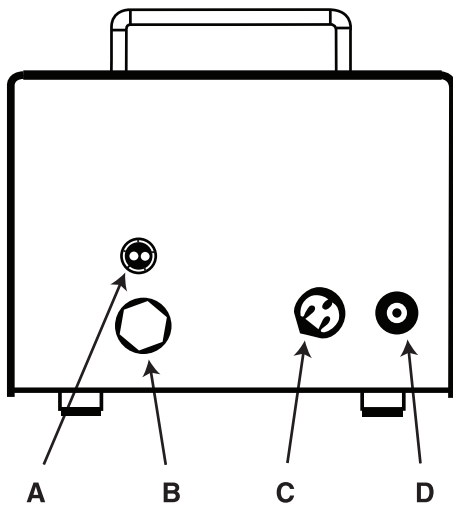


Abbildung 3

- A.** T6.3A Sicherung (VORSICHT: identische Sicherung verwenden!)
- B.** Steckerbuchse für externe Steuerung
- C.** Netzkabel gemäß IEC 320
- D.** Ein/Aus-Schalter

STÖRUNGSBESEITIGUNG

SYMPTOM	URSACHE	MASSNAHME
A Motor bewegt sich nicht Display leuchtet nicht	A Kein Strom	<ol style="list-style-type: none"> 1 Sicherung prüfen und austauschen, falls defekt (Abb. 3) 2 Kontrollieren, ob das Gerät an eine stromführende Leitung angeschlossen ist 3 Netzkabelanschluss prüfen 4 Netzkabel auf Durchgang prüfen und ggf. austauschen 5 Zur Überprüfung einsenden
B Motor bewegt sich nicht Display leuchtet	B1 Externe Steuerung defekt	<ol style="list-style-type: none"> 1 Ein/Aus-Schalter auf AUS stellen 2 Kontrollieren, ob das Kabel der externen Steuerung richtig in die Buchse eingesteckt ist (Abb. 2 und 3) 3 Falls sich der Motor immer noch nicht bewegt, INTERN mit der Taste INT/EXT auswählen und STOP/START-Taste drücken (Abb. 1) 4 Wenn sich der Motor jetzt dreht, externe Steuerung gegen ein gleichwertiges Gerät austauschen. Wenn sich der Motor nicht bewegt, Antrieb zur Überprüfung einsenden
	B2 INT/EXT-Taste nicht korrekt eingestellt	<ol style="list-style-type: none"> 1 Kontrollieren, ob INT/EXT-Taste entweder auf INT für direkten Betrieb über Gerätefront oder auf EXT für Betrieb über externen Eingang eingestellt ist (Abb. 1) 2 Falls sich der Motor immer noch nicht bewegt, Antrieb zur Überprüfung einsenden

Fortsetzung auf Seite 8

FEHLERBESEITIGUNG (Fortsetzung)

Wenn eine Fehlermeldung angezeigt wird, beachten Sie bitte die folgende Aufstellung mit möglichen Maßnahmen. Wenn sich das Problem nicht beheben lässt, wenden Sie sich bitte an Ihren Fachhändler.

FEHLERMELDUNG	URSACHE	MASSNAHME
"Err 2"	Überdrehzahl Motor	<ol style="list-style-type: none"> 1 Durch Betätigen einer beliebigen Taste zurücksetzen 2 Kontrollieren, ob der Schlauch korrekt eingelegt ist. Pumpenbetrieb prüfen 3 Antrieb zur Überprüfung einsenden, falls der Fehler weiterhin besteht
"Err 3" "Err 5" "Err 12"	Überlast	<ol style="list-style-type: none"> 1 Durch Betätigen einer beliebigen Taste zurücksetzen 2 Kontrollieren, ob der Schlauch korrekt eingelegt ist. Pumpenbetrieb prüfen 3 Antrieb zur Überprüfung einsenden, falls der Fehler weiterhin besteht
"Err 7"	Daten defekt, Bedienerparameter auf Standardwerte zurückgesetzt	<ol style="list-style-type: none"> 1 Durch Betätigen einer beliebigen Taste zurücksetzen 2 Bedienerparameter neu eingeben 3 Antrieb zur Überprüfung einsenden, falls der Fehler weiterhin besteht
"Err 10" "Err 11"	Spannung außerhalb des zulässigen Bereichs	<ol style="list-style-type: none"> 1 Durch Betätigen einer beliebigen Taste zurücksetzen 2 Kontrollieren, ob die Netzspannung im zulässigen Bereich liegt 3 Antrieb zur Überprüfung einsenden, falls die Spannung korrekt ist und der Fehler weiterhin besteht
"Err 13" "Err 14"	Überhitzung	<ol style="list-style-type: none"> 1 Auf Hitzequellen bzw. Behinderung der Kühlung prüfen 2 Kontrollieren, ob der Schlauch korrekt eingelegt ist. Pumpenbetrieb prüfen 3 Antrieb abkühlen lassen. Durch Betätigen einer beliebigen Taste zurücksetzen 4 Antrieb zur Überprüfung einsenden, falls keine Ursache für die Überhitzung festzustellen ist und der Fehler weiterhin besteht
Alle sonstigen Fehler	Interner Fehler oder Ausfall	<ol style="list-style-type: none"> 1 Antrieb durch Aus- und Einschalten zurücksetzen (falls möglich) 2 Antrieb zur Überprüfung einsenden, falls der Fehler weiterhin besteht

REINIGUNG

Antriebsgehäuse mit einem milden Reinigungsmittel säubern. Nicht eintauchen.

ERSATZTEILE UND ZUBEHÖR

77500-24	Sicherung—T6.3A 5 x 20 mm
07595-43	Fußschalter
77300-32	Kabel für ext. Steuerung, 7,62 m

TECHNISCHE DATEN**AUSGANGSLEISTUNG**

Drehzahl:	33 bis 650 min ⁻¹
Drehmomentausgang, maximal:	
Dauerbetrieb	39 kg-cm bei 25°C Umgebungstemperatur 27 kg-cm bei 40°C Umgebungstemperatur
Start	69 kg-cm
Drehzahlregelung:	
ohne Last	± 0,25% v.E.
mit Last	± 0,25% v.E.
Abweichung	± 0,25% v.E.
Display:	LED-Anzeige, dreistellig, 7 Segmente
Ausgang ext. Steuerung:	Drehzahlausgang Strom (4–20 mA bei 0–600 Ohm)
(nur Modell 77411-00)	Pumpe bereit-Ausgang Schließer & Öffner Kontaktgebung, 1 A bei 28 V Wechsel-/Gleichstrom)

EINGANG

Grenzwerte Versorgungsspannung:	Universeller Eingang - 90 bis 260 V _{eff} bei 50/60 Hz, einphasig
Stromstärke, max.	4.5 A bei 115 V _{eff} oder 2.6A bei 230 V _{eff}
Eingänge, ext. Steuerung:	START/STOP intern und extern (Kontaktgebung)
(nur Modell 77411-00)	CW/CCW extern (Kontaktgebung)
	Spannungseingang (0–10 V Gleichstrom bei 10 kOhm)
	Stromeingang (4–20 mA bei 250 Ohm)

AUSFÜHRUNG

Abmessungen (L x B x H):	35 cm x 25 cm x 23 cm
Gewicht:	10 kg
Schutzart:	IP55 nach IEC 60529

UMGEBUNGSBEDINGUNGEN

Betriebstemperatur:	0 bis 40 °C
Lagertemperatur:	-25 bis 65 °C
Feuchtigkeit (nicht kondensierend):	10 bis 100%
Höhe:	unter 2.000 m
Verschmutzungsgrad:	Verschmutzungsgrad 3 (Verwendung: Innenräume—geschützte Räume)
Chem. Beständigkeit:	Gehäuse aus lackiertem Stahl

KONFORMITÄTSERKLÄRUNGEN

UL508C, CSA C22.2, Nr. 14 (für CE-Zeichen): EN61010-1 (EU-Niederspannungsrichtlinie) und EN61326 (EMV-Richtlinie der EU)

GEWÄHRLEISTUNG

Verwenden Sie für MASTERFLEX-Pumpen ausschließlich MASTERFLEX-Präzisionsleitungen, um optimale Leistung zu gewährleisten. Bei Verwendung anderer Leitungen können maßgebliche Garantien erlöschen.

Der Hersteller garantiert, daß dieses Produkt keine nennenswerten Abweichungen von den veröffentlichten Spezifikationen aufweist. Falls während der Garantiezeit eine Reparatur oder Nachbesserung erforderlich werden sollte, wird dies kostenlos vorgenommen, vorausgesetzt, es liegt kein vom Hersteller feststellbarer fehlerhafter oder unsachgemäßer Einsatz seitens des Kunden vor. Reparaturkosten außerhalb der Garantiezeit oder aufgrund von fehlerhaftem oder unsachgemäßem Gebrauch des Produktes werden Ihnen in Rechnung gestellt.

Die Garantie gilt für einen Zeitraum von zwei (2) Jahren nach dem Kaufdatum.

PRODUKT-RÜCKSENDUNG

Um Kosten und Verzögerungen zu vermeiden, wenden Sie sich zu Autorisationszwecken und für Versandanweisungen vor der Rücksendung des Produktes an den Verkäufer oder Hersteller, ob innerhalb oder außerhalb der Gewährleistungszeit. Bei der Rücksendung des Produktes geben Sie bitte den Grund für die Rücksendung an. Zu ihrem Schutz verpacken Sie das Produkt sorgfältig und versichern es gegen mögliche Schäden oder Verlust. Jede Beschädigung, die durch ungeeignete Verpackung entstehen sollte, geht zu Ihren Lasten.

TECHNISCHE UNTERSTÜTZUNG

Falls Sie Fragen zum Gebrauch dieses Produktes haben sollten, wenden Sie sich an den Hersteller oder einen autorisierten Händler.

 Cole-Parmer®

(US & Canada only) Toll Free 1-800-MASTERFLEX • 1-800-637-3739

(Outside US & Canada) 1-847-549-7600 • 1-847-381-7050

www.masterflex.com • www.coleparmer.com

E-mail: techinfo@coleparmer.com

*EN809 manufactured by:

Cole-Parmer Instrument Company

28W092 Commercial Avenue

Barrington, IL 60010



77411-00 pump drive

Model Nos.
N° de modèle
Modellnummer
Número de modelo
Modello n°

77410-10
77411-00

OPERATING MANUAL:
PUMP DRIVES

MODE D'EMPLOI:
ENTRAÎNEMENTS
DE POMPES

BETRIEBSANLEITUNG:
PUMPENANTRIEBE

MANUAL DE FUNCIONAMIENTO:
MOTOR DE BOMBAS

MANUALE DI ISTRUZIONI:
UNITÀ DI
CONTROLLO POMPA

CONTENIDO

Título

MEDIDAS DE SEGURIDAD	32
INTRODUCCIÓN	33
FUNCIONES DE CONTROL/PANTALLA	33
PREPARACIÓN Y OPERACIÓN DEL IMPULSOR	34
Activación/Desactivación de Arranque Automático	34
CONTROL REMOTO	35
Preparación del Control Remoto	35
Operación Interna / Externa	35
RESOLUCIÓN DE PROBLEMAS Y MANTENIMIENTO	37
Reemplazo de Fusibles	37
Resolución de Problemas	37
Limpieza	38
Repuestos y Accesorios	38
ESPECIFICACIONES	39
ASISTENCIA TÉCNICA	40

MEDIDAS DE SEGURIDAD

ADVERTENCIAS: No contiene piezas que el usuario pueda reparar. No retirar las tapas.



Consulte a su distribuidor en caso de requerir servicio técnico. Si se dañan los tubos, puede ocurrir que la bomba pierda fluido.

Tome las medidas adecuadas para proteger al operador y al equipo. Apague el impulsor antes de quitar o instalar los tubos. Los dedos o telas sueltas se pueden enganchar en el mecanismo del impulsor.



Para evitar choques eléctricos, el conductor protector de conexión a tierra del cable alimentador debe estar conectado a tierra. No apto para operación en sitios húmedos según se define en EN 61010-1.

PRECAUCIONES: No apilar impulsores. Mantener una distancia mínima de 3 pulgadas alrededor del impulsor y por encima de él, para que haya una ventilación apropiada.



ADVERTENCIA: LIMITACIÓN DE USO DEL PRODUCTO



Este producto no fue diseñado para usarse con aplicaciones conectadas a pacientes ni está destinado a tal fin (incluyendo, entre otros, aplicaciones de uso médico y odontológico) y, en consecuencia, no ha sido sometido a la aprobación de la FDA. Si se usa el impulsor de alguna forma no especificada en este manual, podría dañarse la protección que brinda el equipo.

INTRODUCCIÓN

El impulsor sin escobillas controla la velocidad de los Cabezales de Bomba MASTERFLEX I/P para brindar caudales variables de 0,2 a 17 L/min (0,06 a 4,5 galones/min). Logre hasta 26 LPM (7 GPM) con dos Cabezales de Bomba Estándar o EASY-LOAD I/P apilados. Se puede accionar un Cabezal de Bomba MASTERFLEX High-Performance I/P.

FUNCIONES DE CONTROL/PANTALLA

Presione las teclas para activar la función.

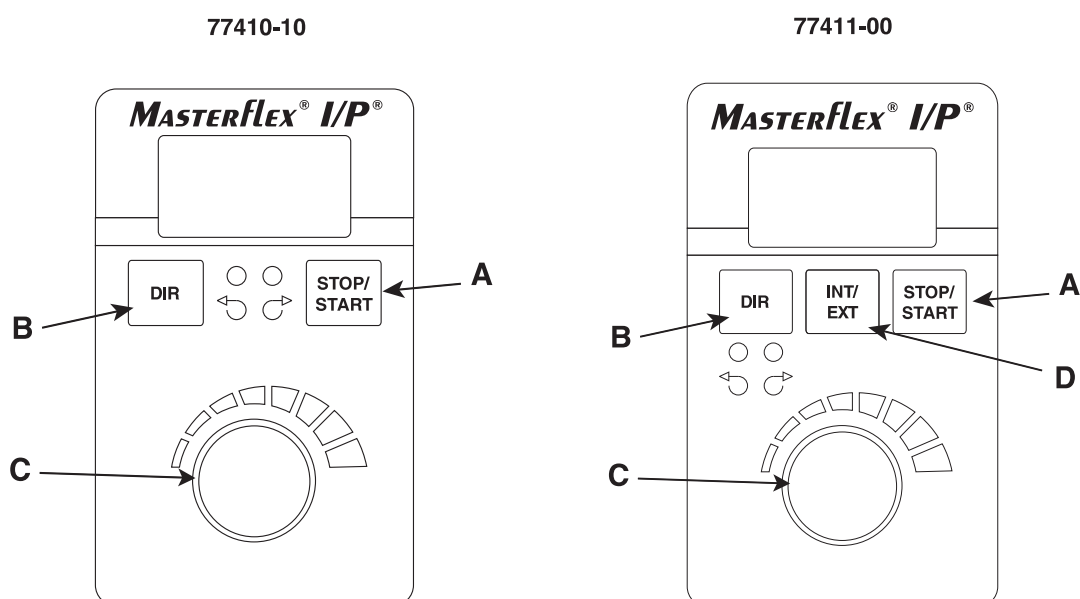


Figura 1

- A. DETENCIÓN/ARRANQUE**-Arranca/Detiene le bomba.
- B. DIRECCIÓN**-Para cambiar la dirección del motor.
- C. VELOCIDAD**- Selecciona la velocidad de 5 a 100% de la Escala Completa (33 a 650 RPM). La rotación en sentido horario aumenta la velocidad.
- D. INT/EXT**-(Sólo en el modelo 77411-00) INT para control interno; EXT para control remoto de corriente o voltaje.

PREPARACIÓN Y OPERACIÓN

1. Enchufe todas las conexiones externas de control. (Sólo en el modelo 77411-00)
2. Instale el Babezal de la Bomba y la tubería de carga (ver el manual de Cabezal de Bomba).

NOTA: Se monta la bomba I/P de Alto Rendimiento con la tubería a la izquierda. Se monta la bomba I/P Estándar con la tubería hacia arriba. Se monta la bomba I/P EASY-LOAD con el asiento de oclusión hacia arriba.

3. Encienda el impulsor.
4. Seleccione funcionamiento INTerno o EXTerno. (Sólo en el modelo 77411-00)
5. Seleccione la DIRección de la bomba (sentido horario o antihorario).
6. Presione la tecla DETENCIÓN/ARRANQUE (STOP/START) para comenzar a bombear.
7. Ajuste la velocidad (los caudales indicados son únicamente de referencia. El caudal variará con la presión, la tubería, la viscosidad y el tiempo):

Valores de Velocidad	I/P 26	I/P 73	I/P 82	I/P 70	I/P 88	I/P 89
10%	0,4 LPM 0,11 GPM	0,8 GPM 0,21 GPM	1,3 LPM 0,35 GPM	0,8 LPM 0,21 GPM	1,3 LPM 0,35 GPM	1,7 LPM 0,45 GPM
20%	0,8 LPM 0,22 GPM	1,6 LPM 0,42 GPM	2,6 LPM 0,70 GPM	1,6 LPM 0,42 GPM	2,6 LPM 0,70 GPM	3,4 LPM 0,90 GPM
30%	1,2 LPM 0,33 GPM	2,4 LPM 0,63 GPM	3,9 LPM 1,05 GPM	2,4 LPM 0,63 GPM	3,9 LPM 1,05 GPM	5,1 LPM 1,35 GPM
40%	1,6 LPM 0,44 GPM	3,2 LPM 0,84 GPM	5,2 LPM 1,40 GPM	3,2 LPM 0,84 GPM	5,2 LPM 1,40 GPM	6,8 LPM 1,80 GPM
50%	2,0 LPM 0,55 GPM	4,0 LPM 1,05 GPM	6,5 LPM 1,75 GPM	4,0 LPM 1,05 GPM	6,5 LPM 1,75 GPM	8,5 LPM 2,25 GPM
60%	2,4 LPM 0,66 GPM	4,8 LPM 1,26 GPM	7,8 LPM 2,1 GPM	4,8 LPM 1,26 GPM	7,8 LPM 2,1 GPM	10 LPM 2,70 GPM
70%	2,8 LPM 0,77 GPM	5,6 LPM 1,47 GPM	9,1 LPM 2,45 GPM	5,6 LPM 1,47 GPM	9,1 LPM 2,45 GPM	12 LPM 3,15 GPM
80%	3,2 LPM 0,88 GPM	6,4 LPM 1,68 GPM	10 LPM 2,8 GPM	6,4 LPM 1,68 GPM	10 LPM 2,8 GPM	14 LPM 3,60 GPM
90%	3,6 LPM 0,99 GPM	7,2 LPM 1,89 GPM	12 LPM 3,15 GPM	7,2 LPM 1,89 GPM	12 LPM 3,15 GPM	15 LPM 4,05 GPM
100%	4 LPM 1,1 GPM	8 LPM 2,1 GPM	13 LPM 3,5 GPM	8 LPM 2,1 GPM	13 LPM 3,5 GPM	17 LPM 4,5 GPM

NOTA: En el modo INTerno, el impulsor arranca nuevamente en forma automática después de una condición de corte parcial o total a menos que el operador modifique los valores de configuración predeterminados. Si se controla la velocidad mediante una señal externa, el impulsor arranca nuevamente en forma automática con un comando de velocidad distinta de cero.

ACTIVACIÓN/DESACTIVACIÓN DE ARRANQUE AUTOMÁTICO (Sólo para modo interno)

Presione y mantenga DIR durante el arranque. Después de cinco (5) segundos, en la pantalla aparecerá "ON" (predeterminado de fábrica, "ACTIVADO") u "OFF" ("DESACTIVADO"). Mantenga presionada la tecla DIR durante 3 segundos más y la pantalla cambiará a la otra opción cada 3 segundos. Suelte la tecla DIR cuando aparezca el modo deseado. Después de soltar la tecla, aparecerá "ON" u "OFF" durante 3 segundos y luego comenzará la secuencia normal de encendido. Cuando se selecciona "ON", el impulsor arranca automáticamente durante el encendido si estaba en funcionamiento cuando se lo desconectó.

CONTROL REMOTO (Sólo en el modelo 77411-00)

- Entrada seleccionable (4-20 mA, 0-10V CC)
- Control de linealidad $\pm 0.5\%$
- Rango de modo común $\pm 50V$ con respecto a la conexión a tierra
- ARRANQUE/DETENCIÓN Interno y Externo; CW/CCW (sentido horario y antihorario) Externo mediante cierre de contacto

PREPARACIÓN DEL CONTROL REMOTO

1. Coloque el interruptor de energía en la posición OFF (APAGADO).
2. Conecte el cable del control remoto externo al receptáculo de acoplamiento, en el panel trasero.
3. Seleccione el funcionamiento desde el potenciómetro del panel, fuente de corriente externa de 4-20mA o fuente de voltaje externo de 0-10 V, de la siguiente manera:
 - a. Presione y mantenga el control INT/EXT durante aproximadamente 5 segundos hasta que aparezca el valor de configuración actual de la fuente de velocidad.
 - b. Si se mantiene presionado el control INT/EXT, la pantalla repite las tres opciones cíclicamente: "4.20" indica la entrada 4-20 mA, "0.10" indica la entrada 0-10 V, o "Pot" que indica que se usará el Potenciómetro de Entrada de Velocidad. Cuando se suelta la tecla, la elección programada permanece en pantalla durante aproximadamente 3 segundos como confirmación de la elección de fuente de velocidad realizada antes de volver al funcionamiento normal.
4. Para ajustar el voltaje o la escala de corriente para cualquier escala que no sea de cero a completa:
 - a. Presione y mantenga el control INT/EXT (aproximadamente 5 segundos) hasta que aparezca la fuente de velocidad externa. ("4.20", "0.10" o "Pot")
 - b. Suelte el control INT/EXT y presione el control DIR antes de que la fuente de velocidad externa desaparezca de la pantalla.
 - c. La pantalla mostrará "Lo" durante unos 3 segundos y luego mostrará en forma intermitente el valor de configuración de la velocidad actual del punto de ajuste (4 mA o 0 V). Para cambiar este valor de configuración, ajuste el Potenciómetro de Control de Velocidad al porcentaje de velocidad total deseado. Si no desea hacer cambios, presione el control DIR una segunda vez.
 - d. Luego de presionar el control DIR por segunda vez, en la pantalla aparecerá "Hi" y luego, en forma intermitente, el punto de ajuste de velocidad alta (20 mA o 10 V). Se lo puede modificar ajustando el Potenciómetro de Control de Velocidad, o se lo puede dejar como está presionando el control DIR de nuevo.
 - e. Al presionar el control DIR por tercera vez, el impulsor vuelve al funcionamiento normal.

NOTA: La entrada 4-20 mA, la entrada 0-10 V y la salida 4-20 mA no están graduadas por separado.

Operación INTerna / EXTerna

1. El modo de operación EXTerno permite la salida BOMBA LISTA (PUMP READY), las entradas ARRANQUE/DETENCIÓN EXTERNA, CW/CCW EXTERNO, 4-20 mA y 0-10 V, al mismo tiempo que desactiva la entrada ARRANQUE/DETENCIÓN INTERNA (por ejemplo, interruptor de pie) y los controles DIR y ARRANQUE del panel delantero. La velocidad de la bomba se determina mediante la elección programada de entradas 4-20 mA, 0-10 V del potenciómetro del panel delantero. El control de DETENCIÓN/ARRANQUE del panel delantero cancela el efecto de la entrada ARRANQUE/DETENCIÓN EXTERNA para detener el impulsor.
2. El en modo INTerno de operación, o bien la entrada ARRANQUE/DETENCIÓN INTERNA (por ejemplo, interruptor de pie) o el control de DETENCIÓN/ARRANQUE del panel delantero pueden arrancar o detener el impulsor a la velocidad establecida mediante el POTENCIÓMETRO DE VELOCIDAD del panel delantero.

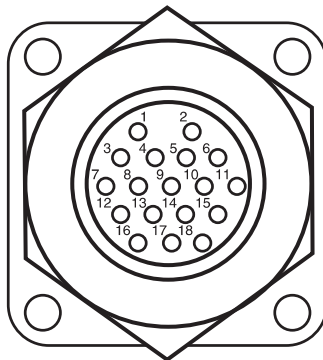
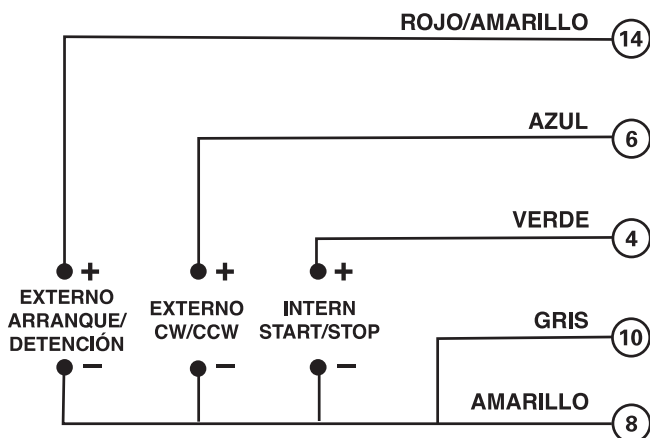
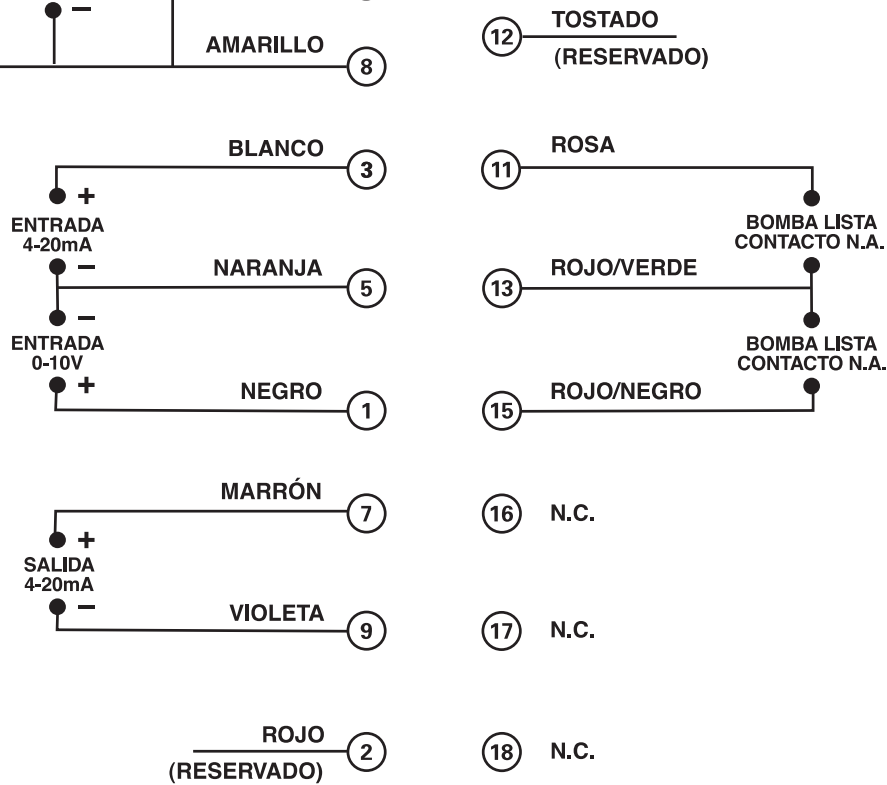


Figura 2



NOTA: Los colores corresponden al Cable Remoto. Número de catálogo 77300-32



RESOLUCIÓN DE PROBLEMAS Y MANTENIMIENTO

REEMPLAZO DE FUSIBLES

- 1 Coloque el interruptor de energía en la posición off (apagado).
- 2 Desconecte el cable de alimentación de CA de la línea y el receptáculo conectados.
- 3 Retire y verifique el fusible y reemplácelo si es defectuoso
- 4 Reconecte el cable de entrada de CA al receptáculo.

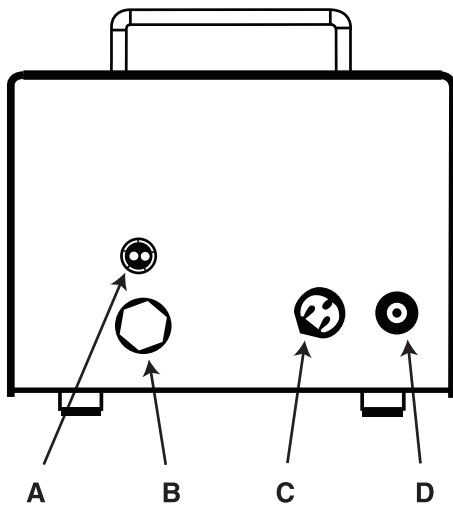


Figura 3

- A.** Fusible T6.3A (PRECAUCIÓN: No reemplazar.)
- B.** Receptáculo externo para el control remoto
- C.** Cable de alimentación IEC 320
- D.** Interruptor de energía

RESOLUCIÓN DE PROBLEMAS

SÍNTOMA	CAUSA	SOLUCIÓN
A El motor no rota No se ilumina la pantalla	A No hay energía	<ol style="list-style-type: none"> 1 Verifique el fusible y reemplácelo si es defectuoso (Fig. 3) 2 Verifique que la unidad esté conectada a una línea activa 3 Verifique la conexión del cable de alimentación 4 Verifique si el cable de alimentación es continuo y reemplácelo si es defectuoso 5 Llévelo al servicio técnico
	B1 Control remoto defectuoso	<ol style="list-style-type: none"> 1 Coloque el interruptor de energía en la posición off (apagado). 2 Verifique que el conector del cable remoto esté insertado completamente en el receptáculo (Fig. 2 y 3) 3 Si el motor aún no rota, seleccione INTerno con el control INT/EXT y presione el control de DETENCIÓN/ARRANQUE (Fig. 1) 4 Si el motor rota, reemplace el control remoto por una unidad similar. Si el motor no rota, lleve el impulsor al servicio técnico
	B2 Control INT/EXT no ajustado debidamente	<ol style="list-style-type: none"> 1 Verifique que el control INT/EXT esté en INT para operar con el control del panel delantero o en EXT para operar con el control remoto (Fig. 1) 2 Si el motor aún no rota, llévelo al servicio técnico

Continúa en la página 8

RESOLUCIÓN DE PROBLEMAS (Continuación)

Si aparece un mensaje de error, consulte la siguiente lista para verificar qué acciones correctivas puede realizar. Si no corrigen el problema, comuníquese con su distribuidor.

MENSAJE DE ERROR	CAUSA	SOLUCIÓN
"Err 2"	Exceso de velocidad del motor	<ol style="list-style-type: none"> 1 Bórrelo presionando cualquier tecla 2 Verifique que la carga del tubo y el funcionamiento de la bomba sean correctos 3 Lleve la unidad a reparar si el error persiste
"Err 3" "Err 5" "Err 12"	Sobrecarga	<ol style="list-style-type: none"> 1 Bórrelo presionando cualquier tecla 2 Verifique que la carga del tubo y el funcionamiento de la bomba sean correctos 3 Lleve la unidad a reparar si el error persiste
"Err 7"	Parámetros de Operador con datos incorrectos fijados en los valores predeterminados	<ol style="list-style-type: none"> 1 Bórrelo presionando cualquier tecla 2 Reprograme los parámetros del operador 3 Lleve la unidad a reparar si el error persiste
"Err 10" "Err 11"	Voltaje fuera de rango	<ol style="list-style-type: none"> 1 Bórrelo presionando cualquier tecla 2 Verifique que el voltaje de la línea de CA esté dentro de los rangos de voltaje especificados 3 Lleve la unidad a reparar si el voltaje de la línea CA es correcto y el error persiste
"Err 13" "Err 14"	Exceso de temperatura	<ol style="list-style-type: none"> 1 Verifique las fuentes de calor y si hay obstrucciones en la ventilación 2 Verifique que la carga del tubo y el funcionamiento de la bomba sean correctos 3 Deje que la unidad se enfríe y borre presionando cualquier tecla 4 Si no se encuentra la causa de recalentamiento y el error persiste, lleve la unidad a reparar
Todos los errores restantes	Error o falla interna	<ol style="list-style-type: none"> 1 Borre (si es posible) desconectando y reconectando la energía 2 Lleve la unidad a reparar si el error persiste

LIMPIEZA

Mantenga limpia la caja del impulsor mediante el uso de detergentes suaves. No sumergir.

REPUESTOS Y ACCESORIOS

77500-24	Fusible-T6.3A 5 x 20 mm
07595-43	Interruptor de pie
77300-32	Cable de control remoto, 25 pies (7,62 m)

ESPECIFICACIONES**SALIDA**

Velocidad:	33 a 650 rpm
Torque, máximo:	
Continuo	540 onzas-pulgadas (39 kg-cm) a 25°C de temperatura ambiente 380 onzas-pulgadas (27 kg-cm) a 40°C de temperatura ambiente 960 onzas-pulgadas (69 kg-cm)
Arranque	
Regulación de velocidad:	
Línea	±0,25% F.S.
Carga	±0,25% F.S.
Desviación	±0,25% F.S.
Pantalla:	LED de tres dígitos y siete segmentos
Salidas remotas:	Corriente de salida (4-20 mA a 0-600 Ω)
(Sólo en el modelo 77411-00)	Salida PUMP READY (bomba lista) (Cierre de contacto N.A. & N.C., 1A a 28V CA/CC)

ENTRADA

Límites de voltaje de alimentación:	Entrada Universal - de 90 a 260 Vrms a 50/60 Hz, Fase Única
Corriente, máxima	4.5A a 115 Vrms, ó 2.6A a 230 Vrms
Entradas Remotas:	ARRANQUE/DETENCIÓN Interna & Externa (Cierres de contacto)
(Sólo en el modelo 77411-00)	CW/CCW (Sentido horario y antihorario) externo (Cierre de contacto)
	Voltaje de entrada (0-10V CC a 10 kΩ)
	Corriente de entrada (4-20 mA a 250 Ω)

CONSTRUCCIÓN

Dimensiones (L x A x H):	14,0" x 10" x 9,1" (35 cm x 25 cm x 23 cm)
Peso:	22 libras (10 kg)
Clasificación de la caja:	IP55 según IEC 60529

ENTORNO

Temperatura operativa:	0 a 40°C (32 a 104°F)
Temperatura de almacenamiento:	-25 a 65°C (-13° a 149°F)
Humedad (sin condensación):	10 a 100%
Altura:	Menos de 2000 m.
Grado de contaminación:	Grado de Contaminación 3 (Sitios protegidos para uso en interiores)
Resistencia química:	La caja es de acero pintado

CUMPLIMIENTO DE NORMAS

UL508C, CSA C22.2, No. 14 (Para Marca CE): EN61010-1 (Directiva de Bajo Voltaje de la UE) y EN61326 (Directiva EMC de la UE)

GARANTÍA

Utilice sólo tubos de precisión MASTERFLEX con las bombas MASTERFLEX para asegurar un rendimiento óptimo. La utilización de otro tipo de tubo puede anular las garantías aplicables.

El Fabricante garantiza que las especificaciones de este producto no se desvían significativamente de las especificaciones publicadas. Si es necesario hacer una reparación o un ajuste en el período de garantía, el problema será corregido de forma gratuita si no se debe a uso indebido o abuso por su parte, según lo determine el Fabricante. Le podemos facturar los costos de reparación fuera del período de garantía, o los costos resultantes del uso indebido o abuso del aparato.

El período de garantía de este producto es dos (2) años a partir de la fecha de compra.

DEVOLUCIÓN DEL PRODUCTO

Para limitar las cargas y los retrasos, contacte con el vendedor o el fabricante para la autorización y las instrucciones de envío antes de devolver el producto, o dentro o fuera del período de garantía. Cuando devuelva el producto, por favor declare la razón de la devolución. Para su protección, embale el producto cuidadosamente y asegúrelo contra posible daño o pérdida. Cualquier daño que resulte del embalaje inapropiado es su responsabilidad.

ASISTENCIA TÉCNICA

Si tiene cualquier pregunta sobre el uso de este producto, contacte con el fabricante o con el vendedor autorizado.



(US & Canada only) Toll Free 1-800-MASTERFLEX • 1-800-637-3739

(Outside US & Canada) 1-847-549-7600 • 1-847-381-7050

www.masterflex.com • www.coleparmer.com

E-mail: techinfo@coleparmer.com

*EN809 manufactured by:

Cole-Parmer Instrument Company

28W092 Commercial Avenue

Barrington, IL 60010



77411-00 pump drive

Model Nos.
N° de modèle
Modellnummer
Número de modelo
Modello n°

77410-10
77411-00

OPERATING MANUAL:
PUMP DRIVES

MODE D'EMPLOI:
ENTRAÎNEMENTS
DE POMPES

BETRIEBSANLEITUNG:
PUMPENANTRIEBE

MANUAL DE FUNCIONAMIENTO:
MOTOR DE BOMBAS

MANUALE DI ISTRUZIONI:
UNITÀ DI
CONTROLLO POMPA

INDICE

Title

PRECAUZIONI DI SICUREZZA	42
INTRODUZIONE	43
FUNZIONI DI CONTROLLO/VISUALIZZAZIONE	43
INSTALLAZIONE E FUNZIONAMENTO DELL'UNITÀ	44
AVVIO AUTOMATICO ON/OFF (solo in modalità interna)	44
TELECOMANDO (solo nel modello 77411-00)	45
IMPOSTAZIONE DEL TELECOMANDO	45
FUNZIONAMENTO INT/EXT (INTERNO ESTERNO)	45
RISOLUZIONE DEI PROBLEMI E MANUTENZIONE	47
Sostituzione del fuso	47
Risoluzione dei problemi	47
Pulizia	48
Sostituzione di parti ed accessori	48
SPECIFICHE TECNICHE	49
ASSISTENZA TECNICA	50

PRECAUZIONI DI SICUREZZA

AVVERTENZE: l'utente non deve sottoporre a manutenzione nessuna parte interna all'unità. Non rimuovere i coperchi. Rivolgersi al fornitore per assistenza.



La rottura delle tubazioni può provocare la fuoriuscita del fluido dalla pompa. Utilizzare misure appropriate per proteggere l'operatore e l'apparecchiatura.

Spegnere l'unità di controllo prima di rimuovere o installare le tubazioni. Le dita o vestiti ampi potrebbero restare impigliati nel meccanismo dell'unità di controllo.



Per evitare scariche elettriche, è necessario che il conduttore di messa a terra a protezione del cavo di alimentazione sia collegato a terra. Non utilizzare l'unità di controllo in posti umidi, come prescritto dalla norma EN 61010-1.

ATTENZIONE: non porre le unità una sull'altra. Mantenere una distanza di almeno 7,62 cm attorno e sopra l'unità di controllo per un raffreddamento appropriato.



AVVERTENZA: LIMITAZIONI D'UTILIZZO DEL PRODOTTO



Questo prodotto non è progettato, né pensato per l'uso in applicazioni collegate a pazienti, incluso, ma senza limitarsi ad esso, l'utilizzo medico e dentistico; pertanto non è stato sottoposto all'approvazione della FDA. Se l'unità di controllo viene utilizzata in modi non specificati nel presente manuale, la protezione fornita dall'attrezzatura potrebbe venirne compromessa.

INTRODUZIONE

L'unità di controllo senza spazzole regola la velocità delle Teste della Pompa MASTERFLEX I/P per fornire intervalli di flusso variabili da 0,2 a 17 l/min (da 0,06 a 4,5 galloni/min). Raggiunge fino a 26 l/min (7 galloni/min) con due Teste della Pompa Standard o EASY-LOAD I/P l'una sull'altra. È possibile attivare una Testa della Pompa MASTERFLEX I/P ad alte prestazioni.

FUNZIONI DI CONTROLLO/VISUALIZZAZIONE

Premere i tasti per attivare la funzione.

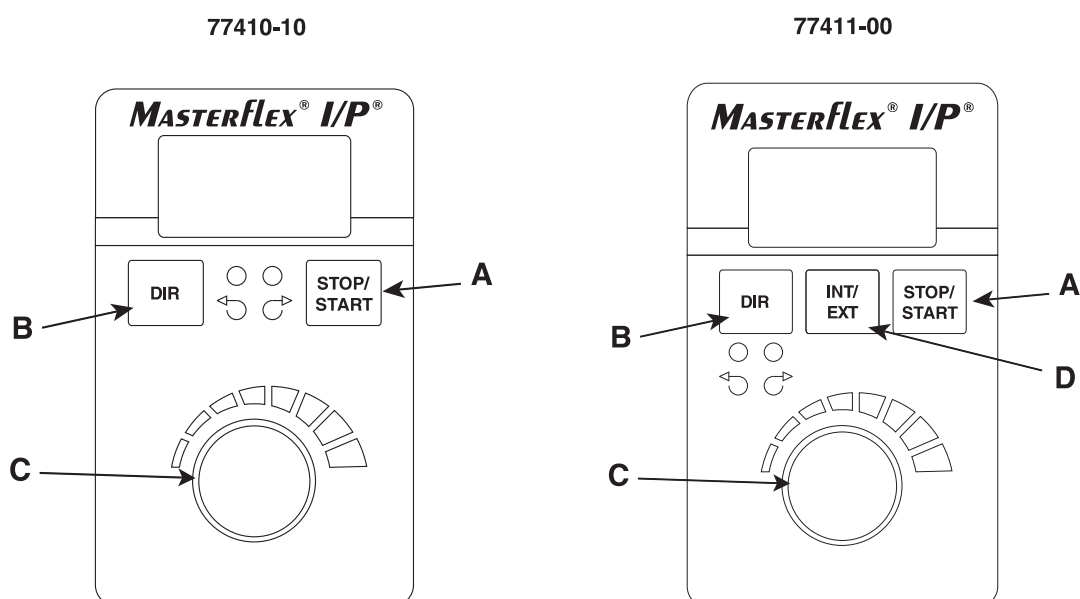


Figura 1

- A. STOP/START:** consente di avviare/arrestare la pompa.
- B. DIRECTION:** consente di modificare la direzione del monitor.
- C. SPEED:** consente di selezionare la velocità di uscita tra l'5% e il 100% della scala completa (da 33 a 650 giri/min). La rotazione in senso orario aumenta la velocità.
- D. INT/EXT:** (solo con il modello 77411-00) INT per il controllo interno; EXT per il controllo a distanza della corrente e della tensione.

INSTALLAZIONE E FUNZIONAMENTO DELL'UNITÀ

1. Collegare tutti i collegamenti di comando esterni (solo con il modello 77411-00).
2. Montare la Testa della Pompa e caricare la tubazione (consultare il manuale della Testa della Pompa).

NOTE: la pompa I/P ad alte prestazioni è montata con la tubazione rivolta a sinistra. La pompa I/P standard è montata con la tubazione rivolta verso l'alto. La pompa EASY-LOAD I/P è montata con il rullo di occlusione rivolto verso l'alto.

3. Accendere l'unità.
4. Scegliere il funzionamento interno (INT) o esterno (EXT) (solo con il modello 77411-00).
5. Selezionare la direzione della pompa (in senso orario o antiorario) premendo DIR.
6. Premere il tasto STOP/START per cominciare a pompare.
7. Regolare la velocità. Gli intervalli di portata elencati sono solo di riferimento. La portata varierà con la pressione, le tubazioni, la viscosità e il tempo:

Impostazione di velocità	I/P 26	I/P 73	I/P 82	I/P 70	I/P 88	I/P 89
10%	0,4 l/min 0,11 galloni/min	0,8 GPM 0,21 galloni/min	1,3 l/min 0,35 galloni/min	0,8 l/min 0,21 galloni/min	1,3 l/min 0,35 galloni/min	1,7 l/min 0,45 galloni/min
20%	0,8 l/min 0,22 galloni/min	1,6 l/min 0,42 galloni/min	2,6 l/min 0,70 galloni/min	1,6 l/min 0,42 galloni/min	2,6 l/min 0,70 galloni/min	3,4 l/min 0,90 galloni/min
30%	1,2 l/min 0,33 galloni/min	2,4 l/min 0,63 galloni/min	3,9 l/min 1,05 galloni/min	2,4 l/min 0,63 galloni/min	3,9 l/min 1,05 galloni/min	5,1 l/min 1,35 galloni/min
40%	1,6 l/min 0,44 galloni/min	3,2 l/min 0,84 galloni/min	5,2 l/min 1,40 galloni/min	3,2 l/min 0,84 galloni/min	5,2 l/min 1,40 galloni/min	6,8 l/min 1,80 galloni/min
50%	2,0 l/min 0,55 galloni/min	4,0 l/min 1,05 galloni/min	6,5 l/min 1,75 galloni/min	4,0 l/min 1,05 galloni/min	6,5 l/min 1,75 galloni/min	8,5 l/min 2,25 galloni/min
60%	2,4 l/min 0,66 galloni/min	4,8 l/min 1,26 galloni/min	7,8 l/min 2,1 galloni/min	4,8 l/min 1,26 galloni/min	7,8 l/min 2,1 galloni/min	10 l/min 2,70 galloni/min
70%	2,8 l/min 0,77 galloni/min	5,6 l/min 1,47 galloni/min	9,1 l/min 2,45 galloni/min	5,6 l/min 1,47 galloni/min	9,1 l/min 2,45 galloni/min	12 l/min 3,15 galloni/min
80%	3,2 l/min 0,88 galloni/min	6,4 l/min 1,68 galloni/min	10 l/min 2,8 galloni/min	6,4 l/min 1,68 galloni/min	10 l/min 2,8 galloni/min	14 l/min 3,60 galloni/min
90%	3,6 l/min 0,99 galloni/min	7,2 l/min 1,89 galloni/min	12 l/min 3,15 galloni/min	7,2 l/min 1,89 galloni/min	12 l/min 3,15 galloni/min	15 l/min 4,05 galloni/min
100%	4 l/min 1,1 galloni/min	8 l/min 2,1 galloni/min	13 l/min 3,5 galloni/min	8 l/min 2,1 galloni/min	13 l/min 3,5 galloni/min	17 l/min 4,5 galloni/min

NOTE: in modalità INT (interna), l'unità di controllo si riavvierà automaticamente dopo una condizione di alimentazione ridotta o di mancanza di alimentazione a meno che l'operatore non modifichi le impostazioni predefinite. Se la velocità viene regolata da un segnale esterno, l'unità di controllo si riavvierà automaticamente con un comando di velocità diverso da zero.

AVVIO AUTOMATICO ON/OFF (solo in modalità interna)

Premere e tenere premuto DIR all'accensione. Dopo cinque (5) secondi, sul display verrà visualizzato "ON" (valore predefinito in fabbrica) o "OFF". Tenere premuto il tasto DIR per altri tre secondi e il display passerà all'altra opzione ogni tre secondi. Rilasciare il tasto DIR quando è visualizzata la modalità desiderata. Dopo aver rilasciato il tasto, "ON" e "OFF" resteranno visualizzati per circa tre secondi e quindi comincerà la normale sequenza di accensione. Quando è selezionato "ON", se l'unità di controllo era in funzione al momento dell'interruzione dell'alimentazione, si avvierà automaticamente quando l'alimentazione sarà di nuovo attiva.

TELECOMANDO (solo nel modello 77411-00)

- Input selezionabile (4-20 mA, 0-10 V CC)
- Controllo della linearità $\pm 0,5\%$
- Intervallo di modalità comune ± 50 V per quanto riguarda la messa a terra
- START/STOP (avvio/arresto) interno ed esterno; CW/CWW (in senso orario/in senso antiorario) esterni tramite chiusura di contatto

IMPOSTAZIONE DEL TELECOMANDO

1. Portare l'interruttore di alimentazione nella posizione OFF (spento).
2. Collegare il cavo dal telecomando esterno alla morsettiera di collegamento sul pannello posteriore.
3. Mettere in funzione dal potenziometro del pannello anteriore l'alimentazione corrente esterna 4-20 mA o l'alimentazione tensione esterna 0-10 V come segue:
 - a. Premere e tenere premuto il controllo INT/EXT per circa 5 secondi finché non viene visualizzata l'impostazione attuale dell'origine di velocità.
 - b. Continuando a premere il controllo INT/EXT sul display scorreranno ciclicamente tre scelte: "4.20" che indica l'input di 4-20 mA, "0.10" che indica l'input di 0-10 V oppure "pot" che indica che verrà utilizzato il potenziometro dell'input di velocità. Quando il tasto viene rilasciato, la scelta programmata resterà sul display per circa 3 secondi come conferma della scelta della sorgente di velocità effettuata prima di tornare al funzionamento normale.
4. Per regolare la messa in scala della tensione o della corrente per un valore diverso da zero fino alla scala massima, procedere come segue:
 - a. Premere e tenere premuto in controllo INT/EXT (circa 5 secondi) finché non viene visualizzata l'origine di velocità esterna ("4.20", "0.10") o "Pot".
 - b. Rilasciare il comando INT/EXT e premere il comando DIR prima che l'origine di velocità esterna non sia più visibile sul display.
 - c. Sul display verrà visualizzato per circa 3 secondi "Lo", quindi lampeggerà l'impostazione attuale di velocità per il setpoint ridotto (4 mA o 0 V). Per modificare questa impostazione, regolare il potenziometro di regolazione della velocità alla percentuale di piena velocità desiderata. Per non effettuare alcuna scelta, premere DIR una seconda volta.
 - d. Dopo avere premuto il comando DIR per la seconda volta, sul display verrà visualizzato "Hi" e quindi lampeggerà il setpoint di velocità alto (20 mA o 10 V). È possibile modificare questa impostazione regolando il potenziometro di regolazione della velocità oppure lasciarlo com'è premendo di nuovo il comando DIR.
 - e. Premendo DIR per la terza volta l'unità di controllo torna al funzionamento normale.

NOTE: l'input 4-20 mA, l'input 0.10 e l'input 4-20 mA non vengono messi in scala separatamente.

FUNZIONAMENTO INT/EXT (INTERNO/ESTERNO)

1. La modalità esterna (EXT) di funzionamento attiva l'uscita PUMP READY (pompa pronta) e gli input EXTERNAL START/STOP (avvio/arresto esterni), EXTERNAL CW/CCW (senso orario/senso antiorario esterni), 4-20 mA e 0-10 V, durante la disattivazione dell'input INTERNAL START/STOP (avvio/arresto interni) (ad esempio, un interruttore a pedale) e i comandi del pannello anteriore DIR e START. La velocità della pompa viene determinata dalla scelta programmata di 4-20 mA, 0-10 V o dagli input del potenziometro del pannello anteriore. Il comando STOP/START del pannello anteriore si sovrappone all'input EXTERNAL START/STOP (avvio/arresto esterno) per arrestare l'unità di controllo.
2. La modalità di funzionamento interna (INT), o l'input INTERNAL START/STOP (avvio/arresto interno) (ad esempio un interruttore a pedale) o il comando STOP/START (avvio/arresto) del pannello anteriore sono in grado di avviare o arrestare l'unità alla velocità impostata dal potenziometro di velocità (SPEED POT) del pannello anteriore.

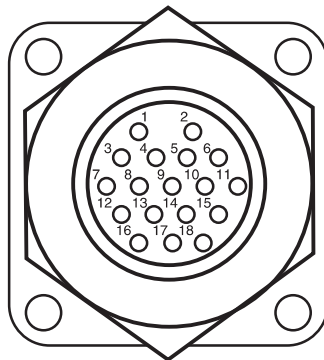
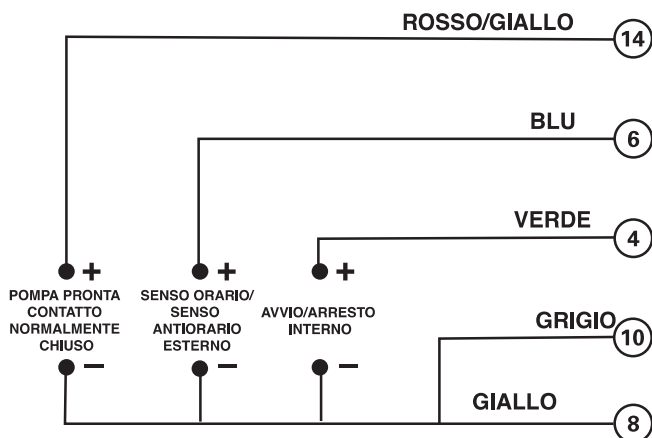
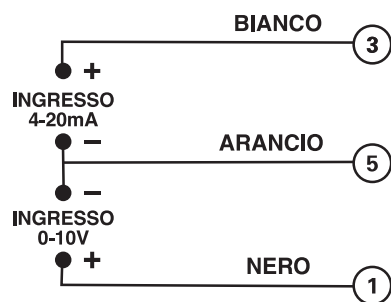


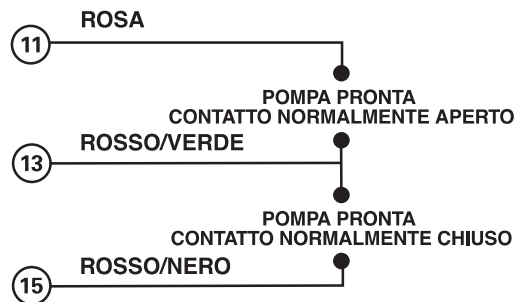
Figura 2



NOTA: i colori sono quelli del cavo a distanza. Codice parte 7730032



12 MARRONE (RISERVATO)



16 NORMALMENTE CHIUSO

17 NORMALMENTE CHIUSO

18 ROSSO (RISERVATO)

18 NORMALMENTE CHIUSO

RISOLUZIONE DEI PROBLEMI E MANUTENZIONE

SOSTITUZIONE DEL FUSO

- 1 Portare l'interruttore di alimentazione nella posizione OFF (spento).
- 2 Scollegare il cavo di alimentazione della corrente CA dalla rete e dalla morsetteria.
- 3 Rimuovere e verificare il fusibile e sostituirlo se difettoso.
- 4 Ricollegare il cavo di alimentazione della corrente CA alla morsetteria.

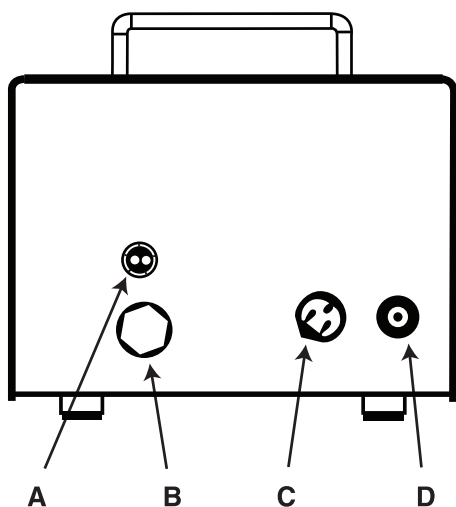


Figura 3

- A.** Fusibile T6.3A (ATTENZIONE: non sostituire)
- B.** Morsetteria esterna per telecomando
- C.** Cavo di alimentazione IEC 320
- D.** Interruttore di alimentazione

RISOLUZIONE DEI PROBLEMI

SINTOMO	CAUSA	RIMEDIO
A Il motore non ruota Il display non si accende	A Nessuna alimentazione	<ol style="list-style-type: none"> 1 Controllare il fusibile e sostituirlo se difettoso (Figura 3) 2 Controllare che l'unità sia collegata alla rete 3 Controllare il collegamento del cavo di alimentazione 4 Controllare la continuità del cavo e sostituirlo se difettoso 5 Restituire per assistenza B
B Il motore non gira Il display si accende	B1 Telecomando difettoso	<ol style="list-style-type: none"> 1 Portare l'interruttore di alimentazione in posizione OFF (spento) 2 Controllare che il connettore del cavo a distanza sia completamente inserito nella morsetteria (Figure 2 e 3) 3 Se il motore continua a non girare, selezionare INT (interno) con il comando INT/EXT e premere il comando STOP/START (Figura 1) 4 Se il motore gira, sostituire il telecomando con una unità simile. Se il motore non gira, restituire l'unità per assistenza.
	B2 Comando INT/EXT impostato in modo non appropriato	<ol style="list-style-type: none"> 1 Controllare che il comando INT/EXT sia impostato su INT per il funzionamento con il comando del controllo anteriore o su EXT per il funzionamento con il telecomando (Figura 1) 2 Se il motore continua a non girare, restituire per assistenza

La risoluzione dei problemi continua a pagina 8

RISOLUZIONE DEI PROBLEMI (continuazione)

Se viene visualizzato un messaggio di errore, consultare il seguente elenco di misure correttive.

Se tali misure non risolvono il problema, rivolgersi al fornitore.

MESSAGGIO DI ERROR	CAUSA	RIMEDIO
"Err 2"	Elevato numero di giri del motore	<ol style="list-style-type: none"> 1 Annullare premendo un tasto qualsiasi 2 Verificare il caricamento appropriato del tubo e il funzionamento appropriato della pompa 3 Se l'errore persiste, restituire l'unità per effettuare la riparazione
"Err 3" "Err 5" "Err 12"	Sovraccarico	<ol style="list-style-type: none"> 1 Annullare premendo un tasto qualsiasi 2 Verificare il caricamento appropriato del tubo e il funzionamento appropriato della pompa 3 Se l'errore persiste, restituire l'unità per effettuare la riparazione
"Err 7"	Dati errati Parametri dell'operatore impostati su valori predefiniti	<ol style="list-style-type: none"> 1 Annullare premendo un tasto qualsiasi 2 Riprogrammare i parametri dell'operatore 3 Se l'errore persiste, restituire l'unità per effettuare la riparazione
"Err 10" "Err 11"	Tensione oltre l'intervallo	<ol style="list-style-type: none"> 1 Annullare premendo un tasto qualsiasi 2 Verificare che la tensione della linea CA sia entro gli intervalli specificati 3 Se la tensione della linea CA è corretta e l'errore persiste, restituire l'unità per effettuare la riparazione
"Err 13" "Err 14"	Temperatura elevata	<ol style="list-style-type: none"> 1 Verificare le fonti di calore o le ostruzioni al raffreddamento 2 Controllare il caricamento appropriato del tubo e il funzionamento appropriato della pompa 3 Se la tensione della linea CA è corretta e l'errore persiste, restituire l'unità per effettuare la riparazione 4 Se la tensione della linea CA è corretta e l'errore persiste, restituire l'unità per effettuare la riparazione
Tutti gli altri errori	Errore o guasto interno	<ol style="list-style-type: none"> 1 Annullare (se possibile) spegnendo e riaccendendo 2 Se l'errore persiste, restituire l'unità per effettuare la riparazione

PULIZIA

Pulire l'alloggiamento dell'unità utilizzando detergenti delicati. Non bagnare.

SOSTITUZIONE DI PARTI E ACCESSORI

77500-24	Fuso – T6.3a 5 × 20 mm
07595-43	Interruttore a pedale
77300-32	Cavo del telecomando 7,62 m

SPECIFICHE TECNICHE**USCITA**

Velocità:	da 33 a 650 giri/min
Uscita coppia, valore massimo:	
Continuo	39 Kg-cm a 25 °C temperatura ambiente 27 Kg-cm a 40 °C temperatura ambiente
Avviamento	69 kg-cm
Regolazione velocità:	
Linea	±0,25% F.S.
Carico	±0,25% F.S.
Deriva	±0,25% F.S.
Display:	LED a tre cifre, a sette segmenti
Uscite remote:	Uscita di velocità corrente (4-20 mA a 0-600 Ohm)
(solo con il modello 77411-00)	Uscita pompa pronta (chiusura di contatto normalmente aperta e normalmente chiusa, 1 A a 28 V CA/CC)

INPUT

Limiti tensione di alimentazione:	Ingresso universale – da 90 a 260 Vrms @ 50/60 Hz, monofase
Corrente, massimo	4.5 A a 115 Vrms o 2.6 A a 230 Vrms
Input remoti:	START/STOP (avvio/arresto) interno ed esterno (chiusure a contatto)
(Solo nel modello 77411-00)	CW/CCW (senso orario/senso antiorario) esterno (chiusura a contatto) Input tensione (0–10 V CC a 10 kOhm) Input corrente (4–20 mA a 250 Ohm)

COSTRUZIONE

Dimensioni (L x S x A):	35 cm x 25 cm x 23 cm (14.0" x 10" x 9.1")
Peso:	10 kg (22 lb)
Valori alloggiamento:	IP55 per IEC 60529

ENVIRONMENT

Temperatura, in funzione:	0-40 °C (32-104 °F)
Temperature, conservazione:	-25-65°C (-13 -149 °F)
Umidità (senza condensa):	10-100%
Altitudine:	Inferiore a 2000 m
Grado di inquinamento:	Grado di inquinamento 3 (utilizzo interno, luoghi riparati)
Resistenza chimica:	L'alloggiamento è in acciaio verniciato

CONFORMITÀ

UL508C, CSA C22.2, N. 14 (Per certificazione CE): EN61010-1 (direttiva bassa tensione EU) EN61326 (direttiva EMC EU)

GARANZIA

Per ottenere migliori prestazioni con le pompe MASTERFLEX, utilizzare solo tubi di precisione MASTERFLEX. L'uso di altri tubi potrebbe invalidare le garanzie applicabili.

Il produttore garantisce che questo prodotto non differisce in maniera significativa dalle specifiche pubblicate. In caso siano necessarie riparazioni o regolazioni entro il periodo di tempo in cui la garanzia è in vigore, il problema verrà corretto senza addebito purché, a giudizio del produttore, non sia dovuto ad uso improprio o eccessivo del prodotto. Il costo delle riparazioni al di fuori del periodo in cui la garanzia è in vigore o i costi risultanti dall'uso improprio o eccessivo del prodotto, potranno essere a carico del cliente.

Il periodo di garanzia per questo prodotto è di due (2) anni dalla data di acquisto.

RESTITUZIONE DEL PRODOTTO

Al fine di limitare i costi e i ritardi, per ottenere l'autorizzazione e le istruzioni per la spedizione rivolgersi al rivenditore o al produttore prima di restituire il prodotto, sia entro che oltre i limiti del periodo in cui la garanzia è in vigore. Alla resa del prodotto, indicare la ragione della restituzione. Per sicurezza, imballare il prodotto con cura e assicurarlo contro eventuali danni o perdite. Il cliente è ritenuto responsabile dei danni derivanti da imballaggio non idoneo.

ASSISTENZA TECNICA

Per ulteriori informazioni sull'uso del prodotto, rivolgersi al produttore o al rivenditore autorizzato.

 **Cole-Parmer®**

(US & Canada only) Toll Free 1-800-MASTERFLEX • 1-800-637-3739

(Outside US & Canada) 1-847-549-7600 • 1-847-381-7050

www.masterflex.com • www.coleparmer.com

E-mail: techinfo@coleparmer.com

*EN809 manufactured by:

Cole-Parmer Instrument Company

28W092 Commercial Avenue

Barrington, IL 60010