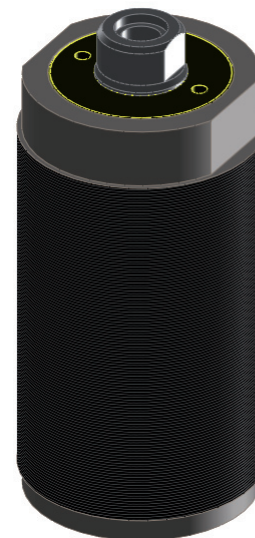


Operating pressure max. 350 bar/min 100 bar

These hydraulic screw-in cylinder are single acting and with spring retraction. They can be used in clamping fixtures for positioning, clamping and gripping of workpieces.

Technical characteristics

- Only suitable for operating pressures starting from 100 bar
- Use for pipe connections and for integrated oil supply (sealing on the cylinder's base with a seal which is delivered with the unit)
- External thread along the whole length of the housing
- Narrow distances between the cylinders are possible when the cylinders are mounted in groups
- Spring retraction
- Slide ring seals with high wear resistance
- No stick-slip effect
- Piston rods with internal thread on all models starting from model 721E16121-1 onwards



CUSTOMER DESIGNED MODELS

If you need a special cylinder for your application – customer designed models are available. PLEASE LET US KNOW!

Included accessories

DELTRIN seal ring

Recommended accessories (separate order)

- Hexagonal nut DIN 936
- Groove nut DIN 1804
- Straight screw-connection D8S-R1/8
- Straight screw-connection D8S-R1/4

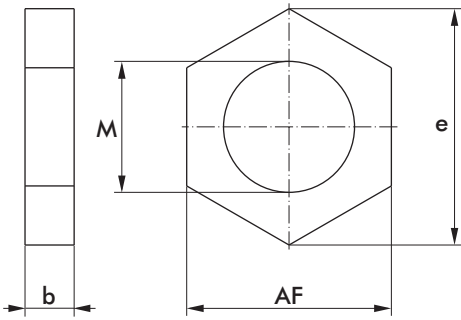
Important Note

The maximum spring retraction force has been taken into account in the clamping force values diagram.

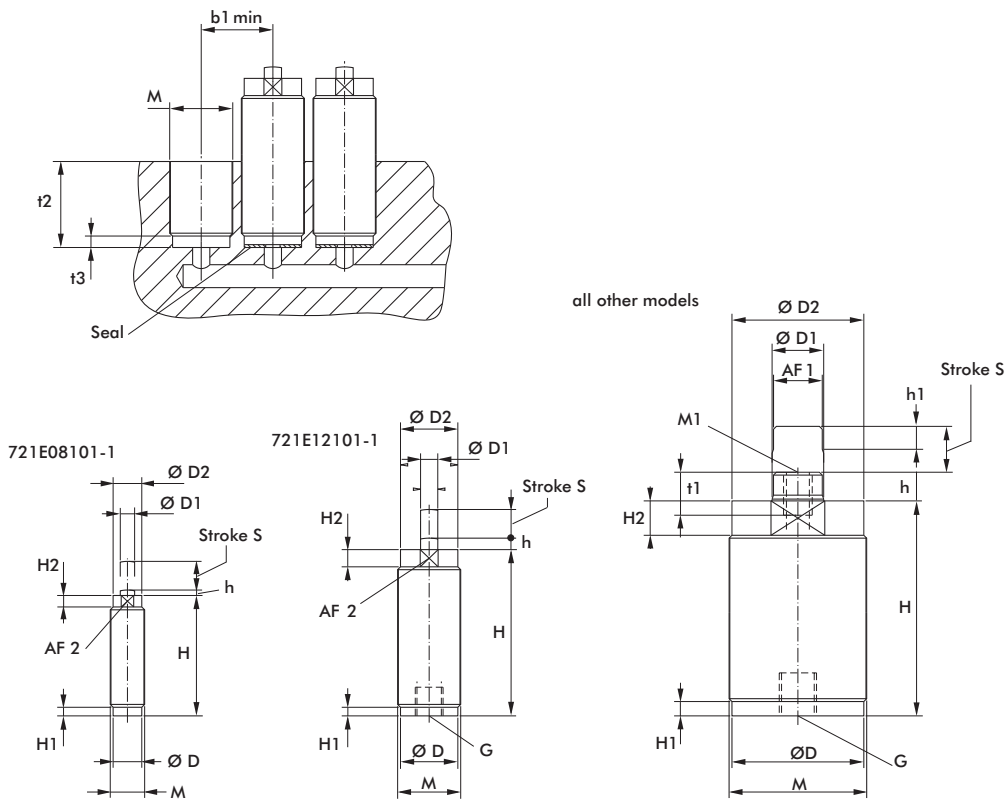
The operating pressure should not exceed 150 bar if the piston is actuated without a counter force.

model no.	Clamping force		Repair kit	Piston Ø [mm]	Stroke* S max. [mm]	Piston surface area [cm ²]	Oil con- sumption/ stroke [cm ³]	Spring re- tracting force min [N]	Connection G	Weight ~ [kg]
	at 100 bar	at 350 bar								
	[kN]	[kN]								
721E08101-1	0,4	1,4	-	8	10	0,5	0,5	39	-	0,03
721E12101-1	1,0	3,7	720V12-0001	12	10	1,13	1,13	25	G1/8	0,25
721E16121-1	1,9	6,7	720V16-0002	16	12	2,01	2,41	60	G1/8	0,32
721E20161-1	2,8	9,8	720V20-0001	20	16	3,14	5,02	62	G1/4	0,4
721E20401-1	2,7	9,4	720V20-0001	20	40	3,14	12,57	66	G1/4	0,6
721E25161-1	4,6	16,2	720V25-0003	25	16	4,91	7,85	117	G1/4	0,6
721E25401-1	4,6	15,9	720V25-0003	25	40	4,91	19,63	115	G1/4	0,9
721E32161-1	7,8	27,3	720V32-0003	32	16	8,04	12,87	98	G1/4	0,95
721E40161-1	12,2	42,8	720V40-0003	40	16	12,57	20,11	201	G1/4	1,45
721E40401-1	12	42,1	720V40-0003	40	40	12,57	50,28	280	G1/4	2,4
721E50251-1	19,1	66,7	720V50-0002	50	25	19,63	49,09	239	G1/4	3,3

Accessories hexagonal nut DIN 936



model no.	b	e	AF
M	[mm]		
M22x1,5	10	35,72	32
M27x1,5	12	45,63	41
M33x1,5	14	55,8	50
M38x1,5	16	66,96	60
M48x1,5	18	83,9	75
M56x1,5N	groove nut DIN 1804 (see page 24)		
M68x1,5N	groove nut DIN 1804 (see page 24)		



model no.	b1	D	D1	D2	H	H1	H2	h	h1	M	M1	AF 1	AF 2	t1	t2	t3	max. torque [Nm]
721E08101-1	15	10	5	10	42	3	4	1,9	-	M12x1,5	-	-	9	-	18	3	10
721E12101-1	25	20	6	20	58	3	6	4	-	M22x1,5	-	-	19	-	30	3	70
721E16121-1	30	24	10	25	75	3	6,5	7	5,5	M27x1,5	M5	8	22	10	36	3	130
721E20161-1	38	30	10	31	84,5	3	8	7	5,5	M33x1,5	M5	8	27	10	42	3	230
721E20401-1	38	30	10	31	140	3	8	7	5,5	M33x1,5	M5	8	27	10	42	3	230
721E25161-1	43	35	12	36	95	5	12	7	5,5	M38x1,5	M6	9	32	12	52	5	370
721E25401-1	43	35	12	36	137	5	12	7	5,5	M38x1,5	M6	9	32	12	52	5	370
721E32161-1	53	45	18	46	91	5	12	10	8	M48x1,5	M10	15	42	15	61	5	750
721E40161-1	61	53	22	54	99	5	12	10	8	M56x1,5	M12	19	50	18	71	5	1200
721E40401-1	61	53	22	54	173	5	12	10	8	M56x1,5	M12	19	50	18	71	5	1200
721E50251-1	73	65	32	65	116	5	15	10	8	M68x1,5	M20	27	60	30	85	5	2000

Operating pressure max. 250 bar/min 100 bar

These hydraulic screw-in cylinder are single acting and with spring retraction. They can be used in clamping fixtures for positioning, clamping and gripping of workpieces. Flexible applicable because of the radial and axial ports.

Technical characteristics

- Suitable even for operating pressures under 100 bar
- 1 oil port radial, one axial
- External thread along the whole housing
- Spring retraction
- O-ring-seal
- Piston rod with internal thread

CUSTOMER DESIGNED MODELS

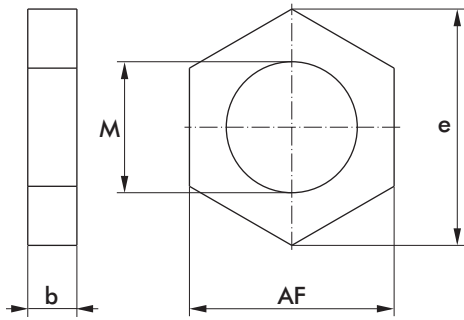
If you need a special cylinder for your application – customer designed models are available. PLEASE LET US KNOW!

Recommended accessories (separate order)

- Hexagonal nut DIN 936
- Straight screw-connection D8S-R1/8
- Straight screw-connection D8S-R1/4

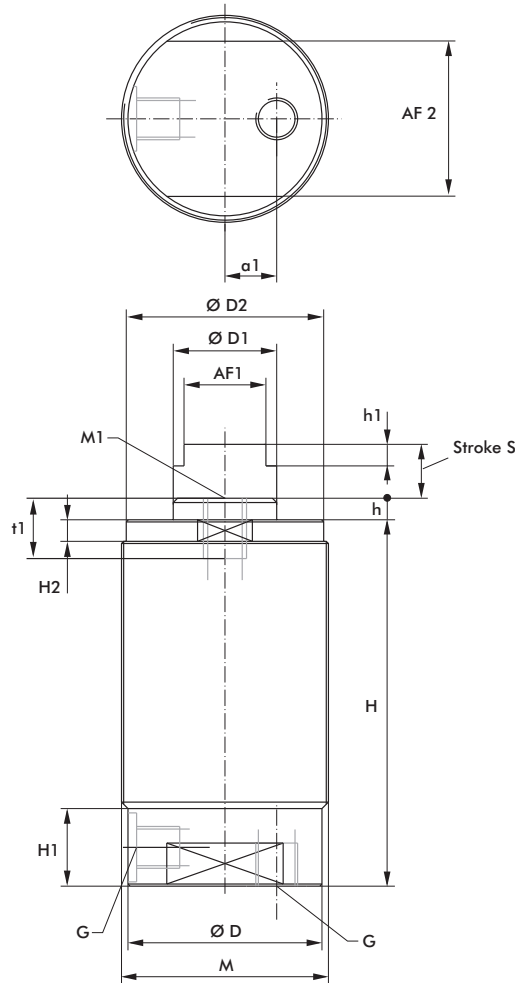


model no.	clamping force		Repair kit	Piston Ø [mm]	Stroke* S max. [mm]	Piston surface area [cm ²]	Oil con- sumption/ stroke [cm ³]	Spring re- tracting force min [N]	Connection G	Weight ~ [kg]
	at 100 bar [kN]	at 250 bar [kN]								
721E25155-1	4,7	11,6	720V25-0006-1	25	15	4,91	7,37	60	G1/8	0,6
721E25255-1	4,6	11,5	720V25-0006-1	25	25	4,91	12,28	70	G1/8	0,7
721E25405-1	4,6	11,4	720V25-0006-1	25	40	4,91	19,63	110	G1/8	0,9
721E38125-1	10,9	27,3	720V38-0001	38	12,5	11,34	14,18	200	G1/8	1,4
721E38255-1	10,9	27,1	720V38-0001	38	25	11,34	28,35	220	G1/8	1,8
721E38505-1	10,8	27	720V38-0001	38	50	11,34	56,7	280	G1/8	2,5
721E50255-1	19,1	47,7	720V50-0008	50,8	25	19,95	49,87	200	G1/4	3,4



Accessories hexagonal nut DIN 936

order no. M	b	e [mm]	AF
M33x1,5	14	55,8	50
M48x1,5	18	83,9	75



model no.	$\alpha 1$	D	D1	D2	H	H1	H2	h	h1	M	M1	AF1	AF2	t1
[mm]														
721E25155-1	7	30	14	30	80	21	5	5	5	M33x1,5	M8	11	24	10
721E25255-1	7	30	14	30	98	21	5	5	5	M33x1,5	M8	11	24	10
721E25405-1	7	30	14	30	126	21	5	5	5	M33x1,5	M8	11	24	10
721E38125-1	12	45	24	45,8	85	19	5	5	5	M48x1,5	M10	19	36	14
721E38255-1	12	45	24	45,8	122,5	19	5	5	5	M48x1,5	M10	19	36	14
721E38505-1	12	45	24	45,8	177	19	5	5	5	M48x1,5	M10	19	36	14
721E50255-1	-	60	36	-	107	22	-	5	5	M64x1,5	M16	30	50	20